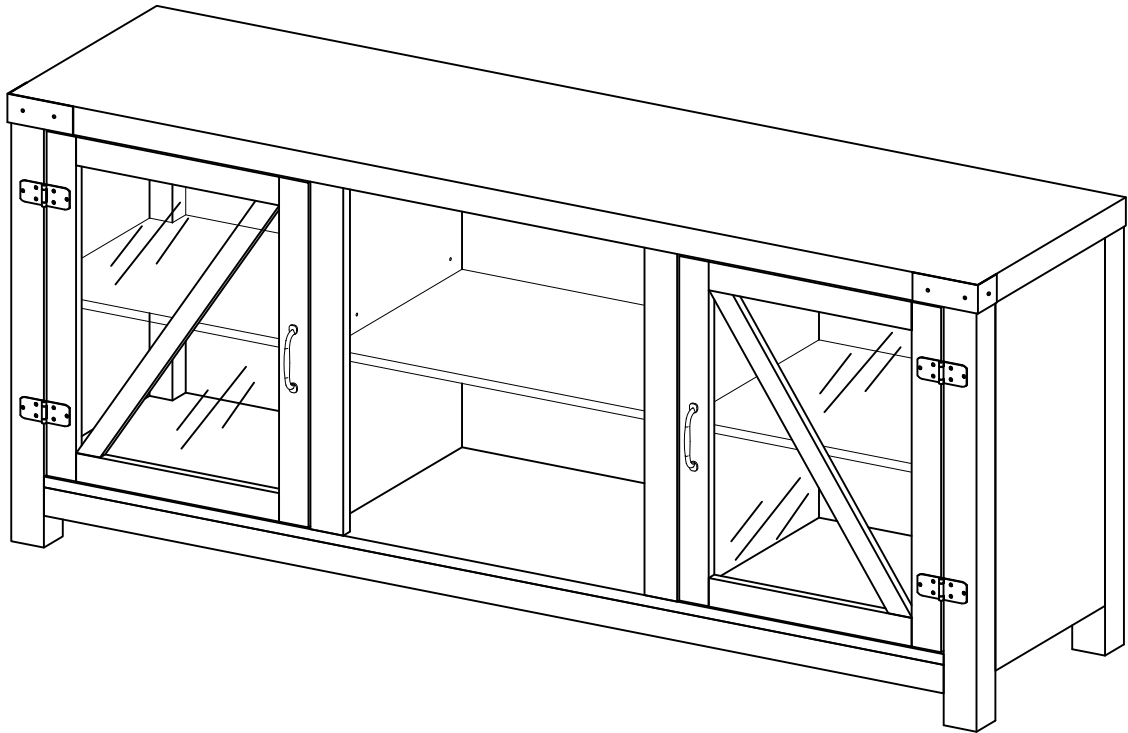


Item # : W58BDGD

Assembly Instructions



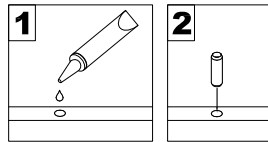
Walker Edison®

Please visit our website for the most current instructions, assembly tips, report damage, or request parts. www.walkerredison.com

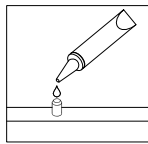
Revised 11/05/2018

General Assembly Guidelines

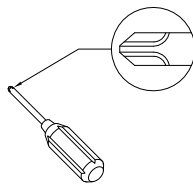
- I. Ensure that all parts and hardware are available before beginning assembly.
- II. Follow each step carefully to ensure the proper assembly of this product.
- III. Two people are recommended for ease in the assembly of this product.
- IV. The three main types of hardware used to assemble this product are: wood dowels, screws and bolts.
- V. The provided glue is to secure wood dowels in place. When first inserting dowels, locate the appropriate hole for the dowel, place a small amount of glue in the hole and insert the dowel. Wipe away excess glue immediately.



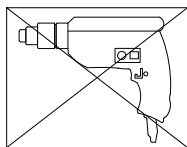
In future assembly steps when dowels are necessary to attach assembly parts together, place a small amount of glue on the end of the dowel before attaching parts together. Wipe away excess glue immediately.



- VI. A Phillips head screwdriver is required for the assembly of this product .

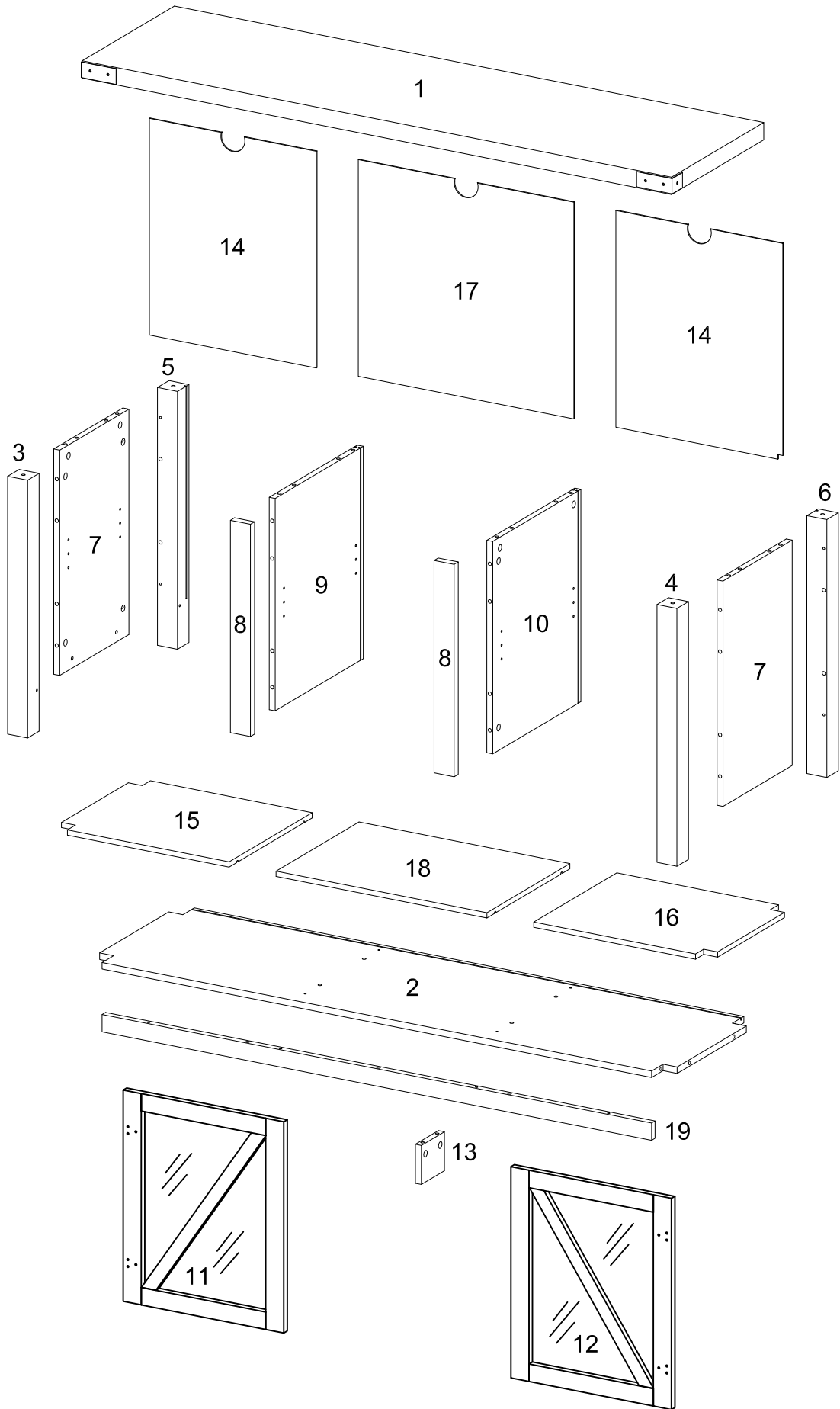


- VII. Power tools should not be used to assemble this product.




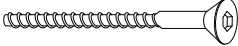
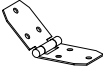


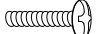
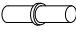

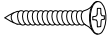



- VIII. Drill may be needed for securing product to wall.


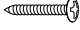




Parts List

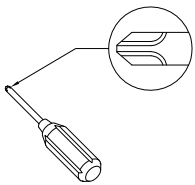


Hardware List

A		Ø8x30mm	Wooden dowel	31 pcs
B			Cam bolt	26 pcs
C		Ø15x11mm	Cam lock	26 pcs
D		Ø6x50mm	Bolt	4 pcs
E			Hinge	4 pcs
F		Ø3x12mm	Screw	24 pcs
G			Handle	2 pcs
H		Ø4x22mm	Bolt	4 pcs
J		Ø8x5x16mm	Shelf support pin	12 pcs
K			Plastic wedges	12 pcs
L		Ø3x17mm	Screw	12 pcs
M			Bolt	2 pcs

Hardware List

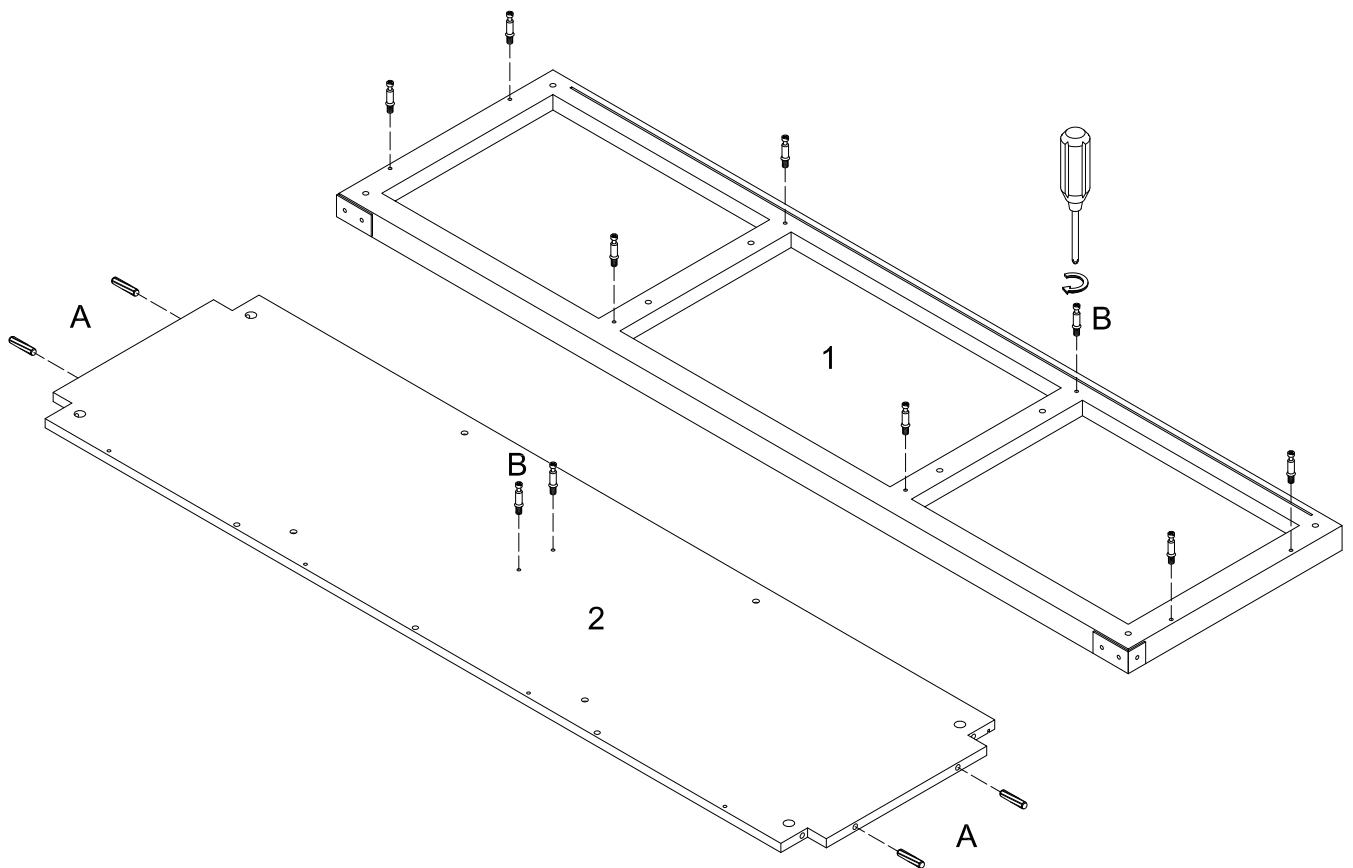
P			Door stopper tope de puerta	2 pcs
Q		Ø3x15mm	Screw	4 pcs
R			Sticker	26 pcs
S		Ø4mm	Hex key	1 pc
T			Glue tube	2 pcs
U		Ø4x45	Screw	4 pcs



Philips head screwdriver required for assembly
(not included)

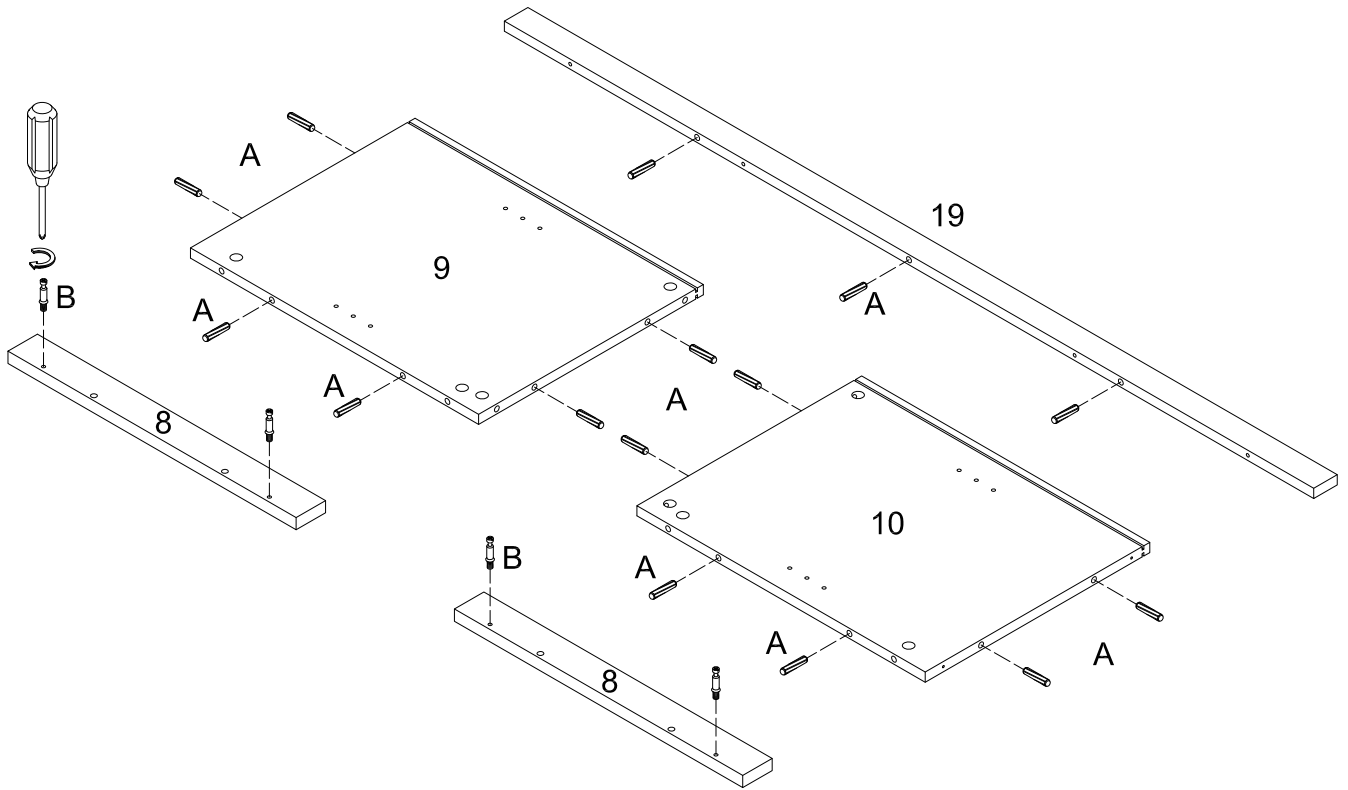
*The hardware quantities listed above are required for proper assembly.
Some extra hardware may also have been included.*

Step 1



(EN)
Attach cam bolts (B) to parts (1) and (2).

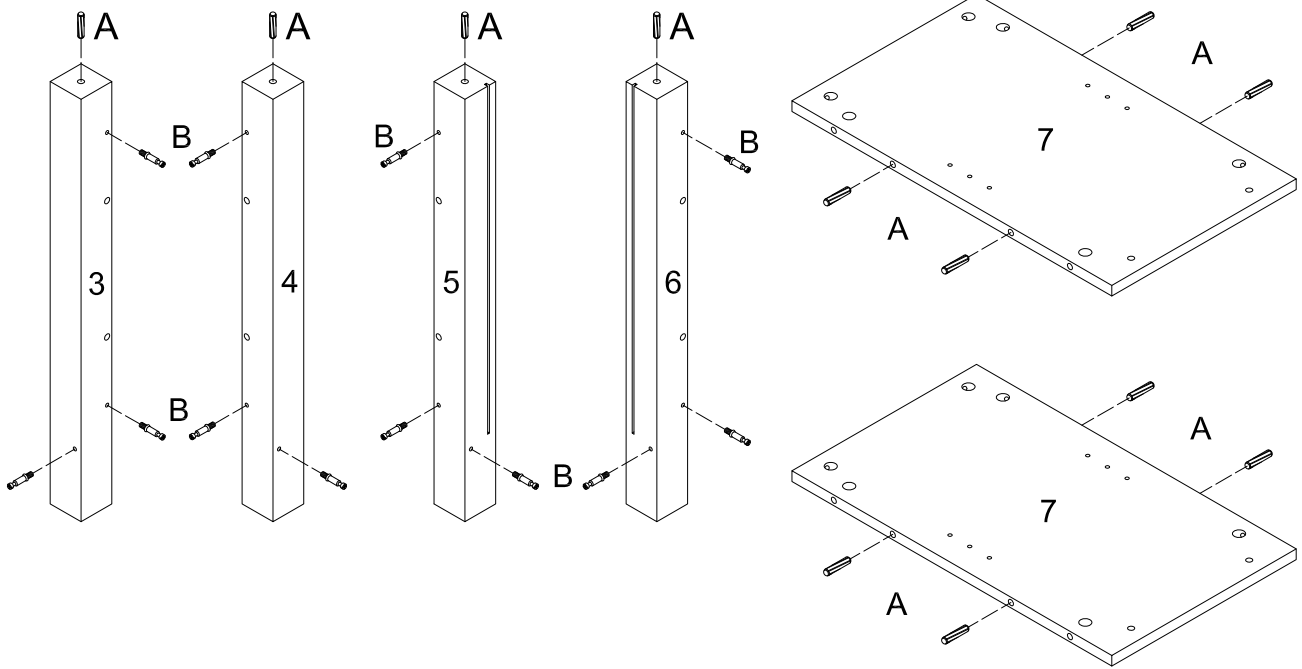
Step 2



(EN)

Attach cam bolts (B) to part (8). Insert wooden dowels (A) to parts (9, 10) and (19).

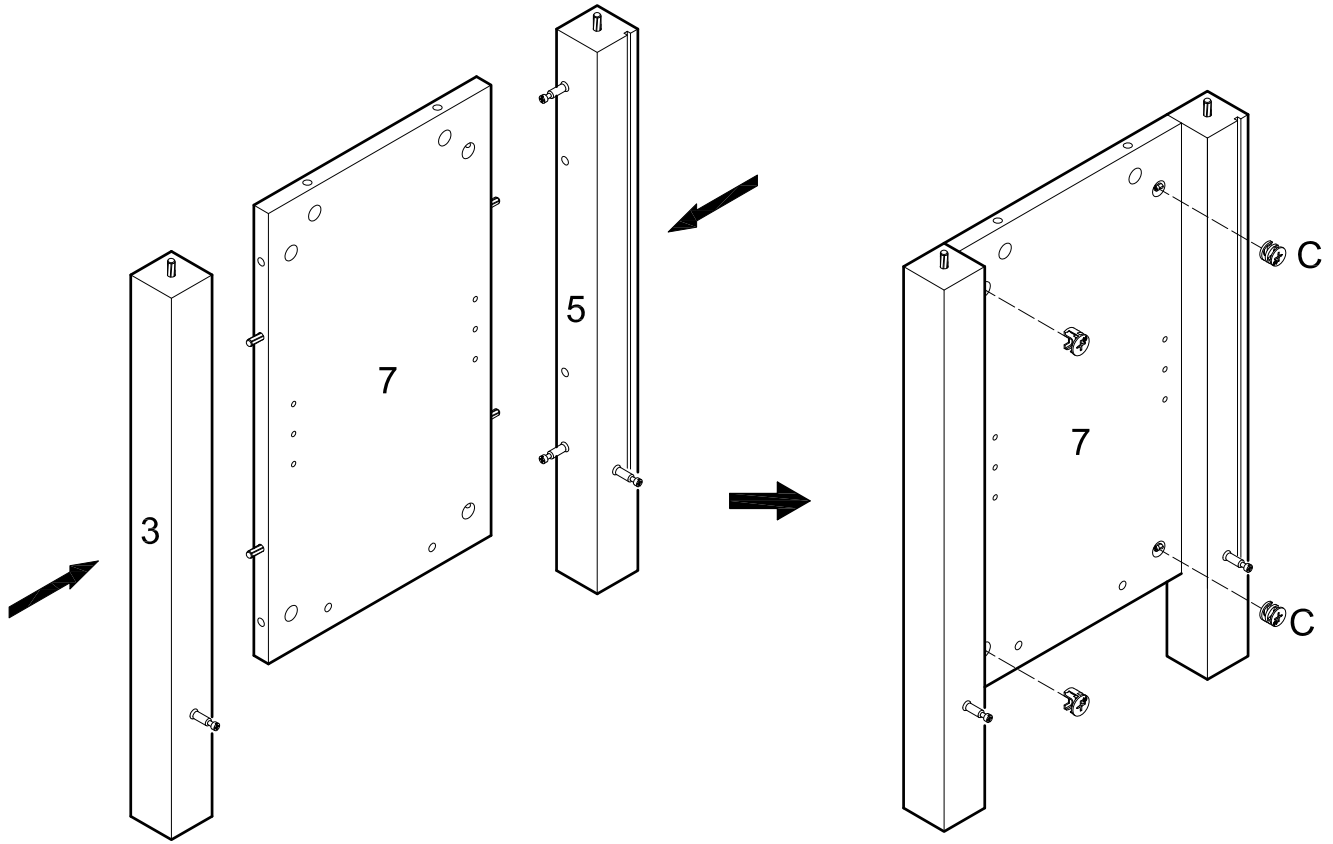
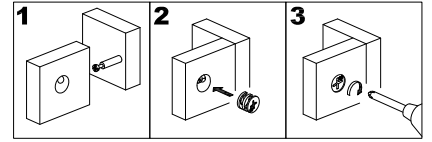
Step 3



(EN)

Insert wooden dowels (A) into designated areas in parts (3, 4, 5, 6) and (7). Attach cam bolts (B) to parts (3, 4, 5, 6).

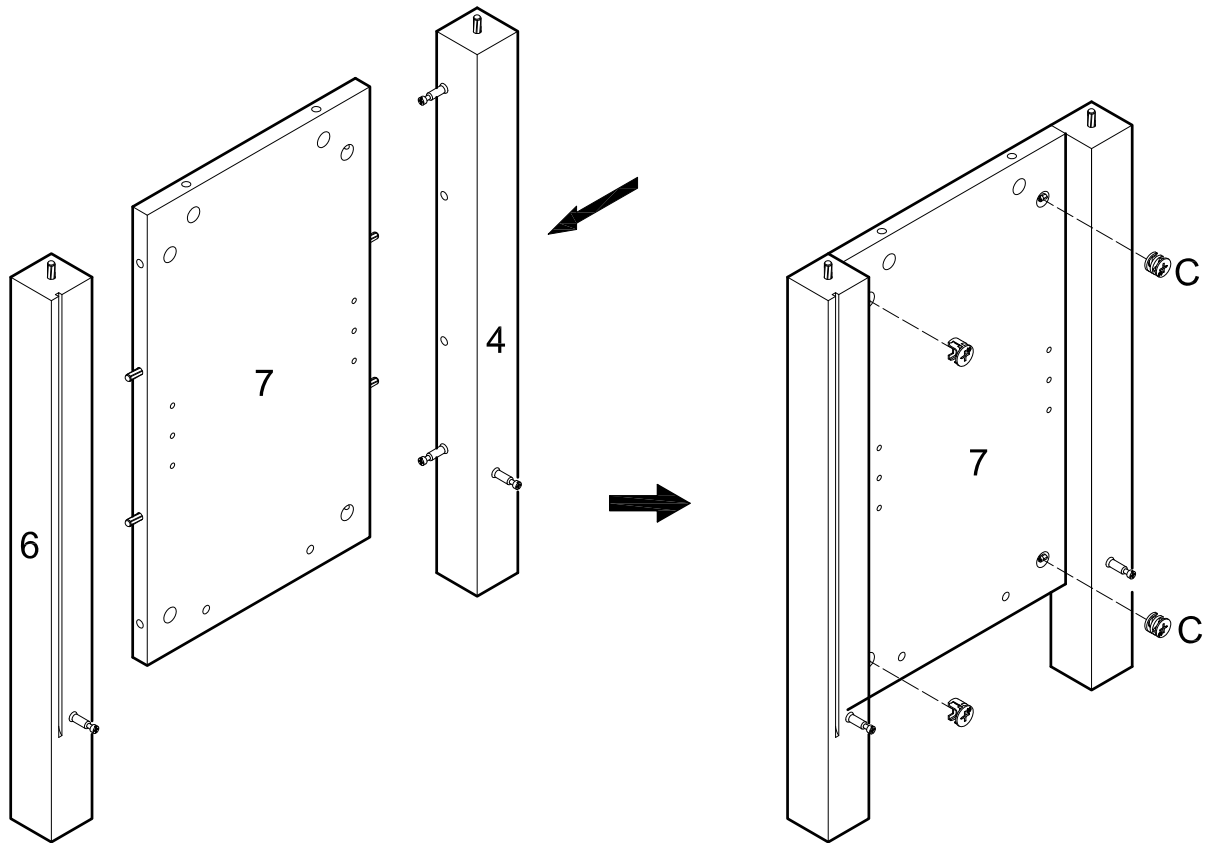
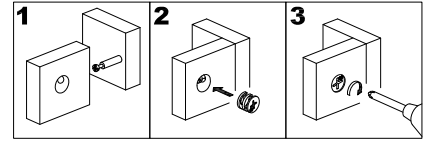
Step 4



(EN)

Attach parts (3) and (5) to part (7), and then attach cam locks (C) to fully assembled part (7).

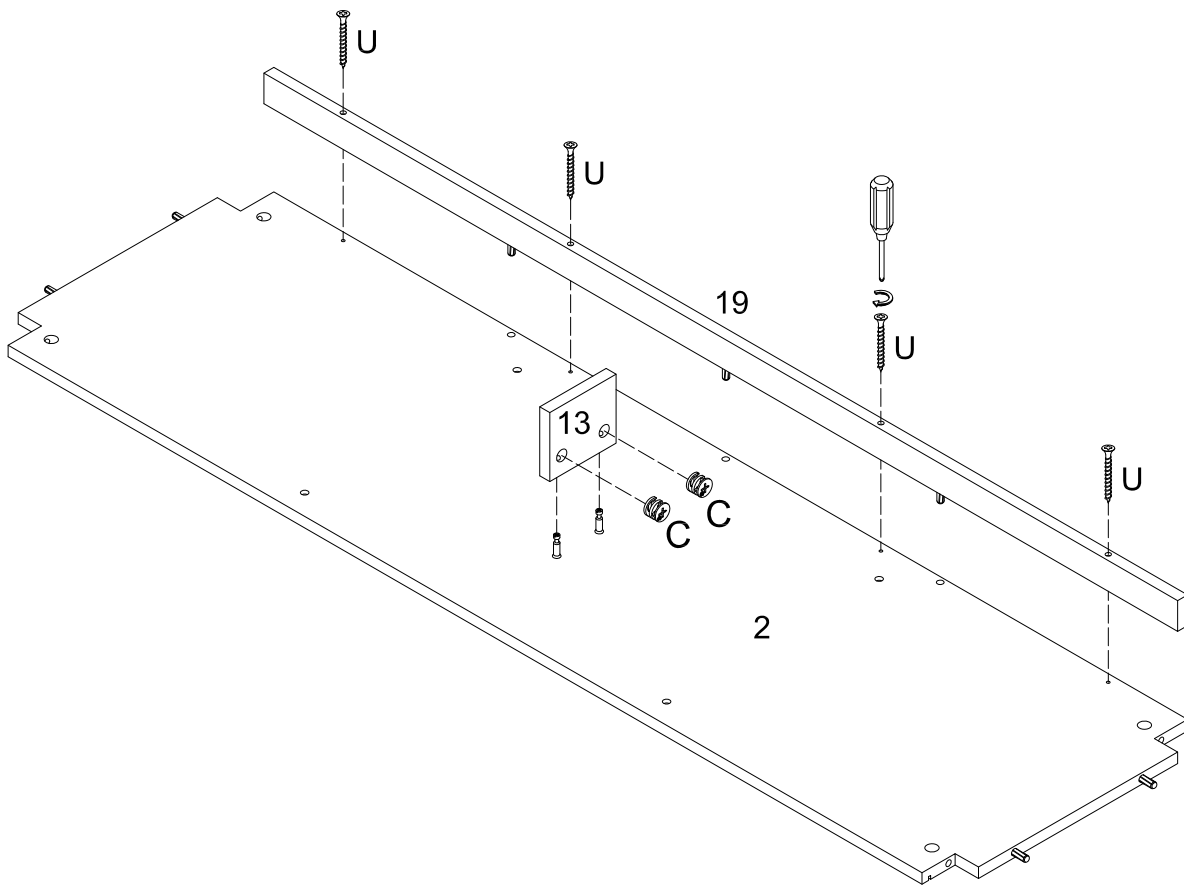
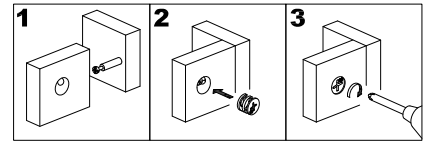
Step 5



(EN)

Attach parts (4) and (6) to the other part (7), and then insert cam locks (C) to the fully assembled part (7).

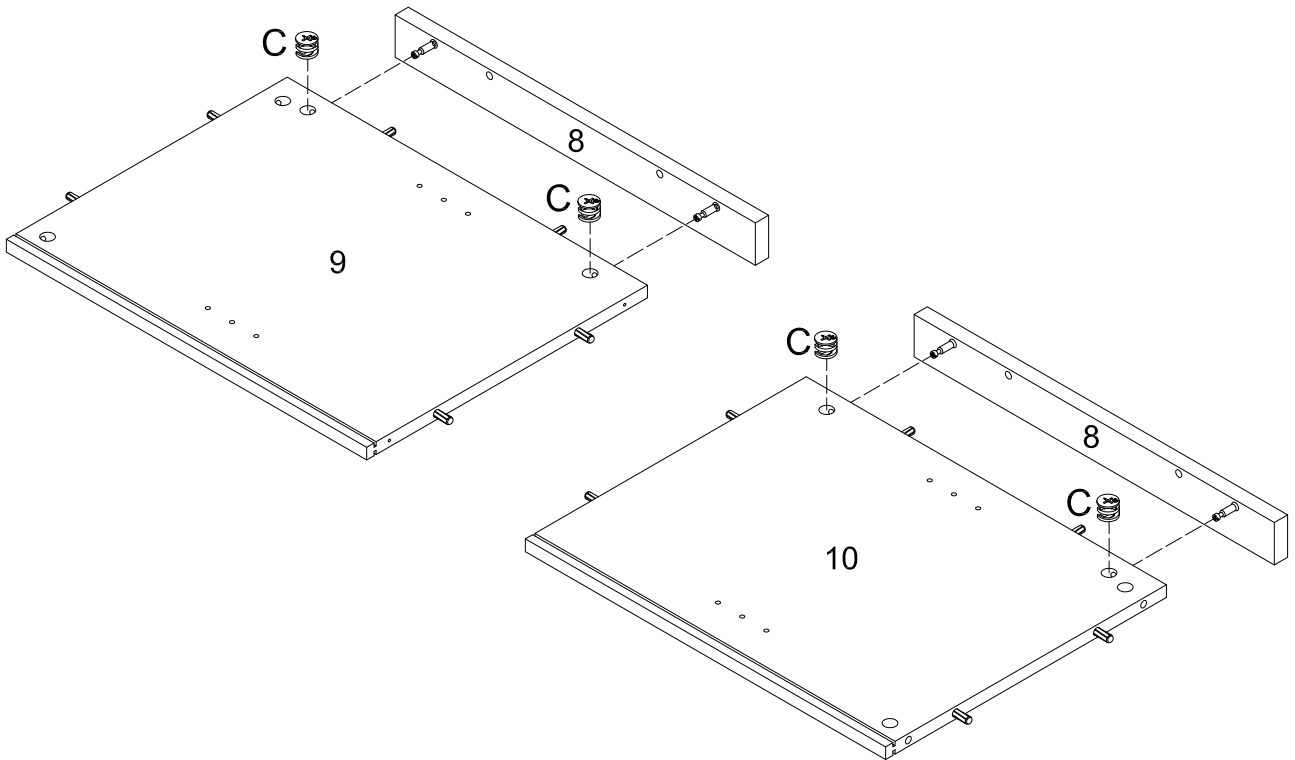
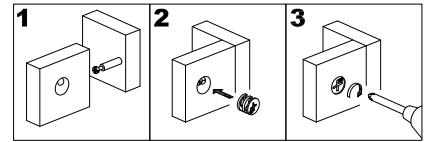
Step 6



(EN)

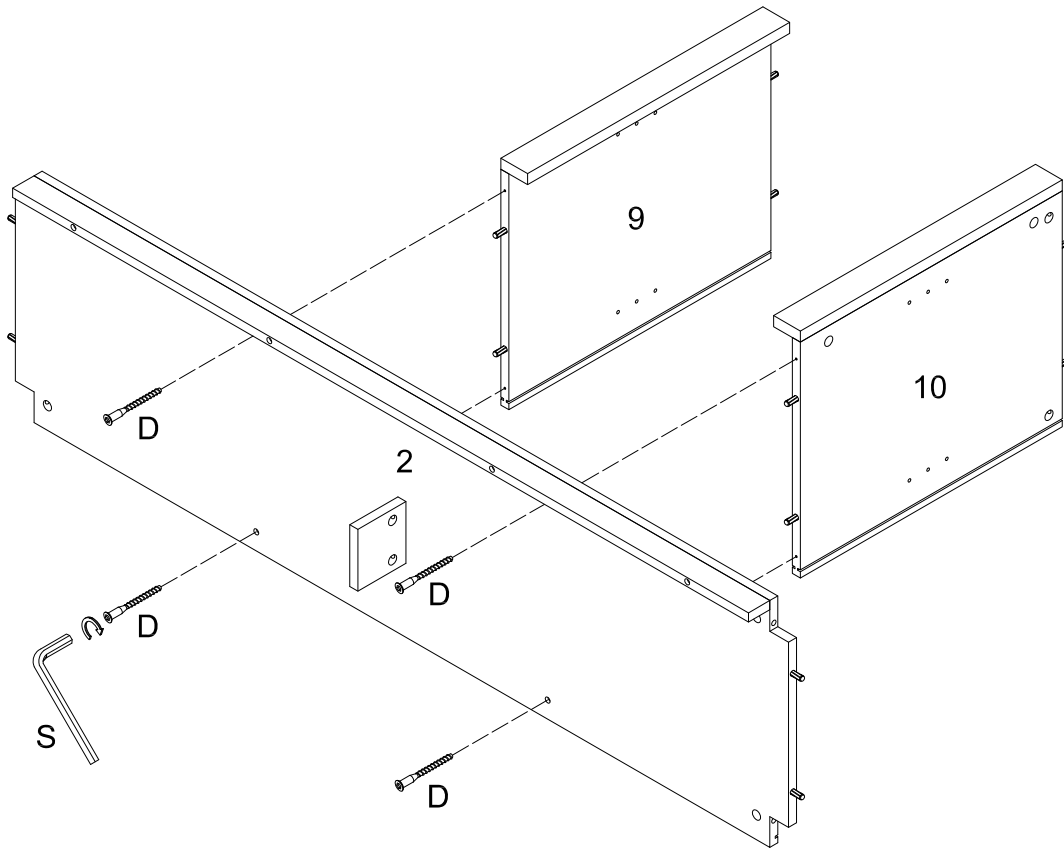
Attach part (13) to part (2) using cam locks (C). Attach slat (19) to panel (2) by using screw (U).

Step 7



(EN)
Attach part (8) to parts (9,10) using cam locks (C).

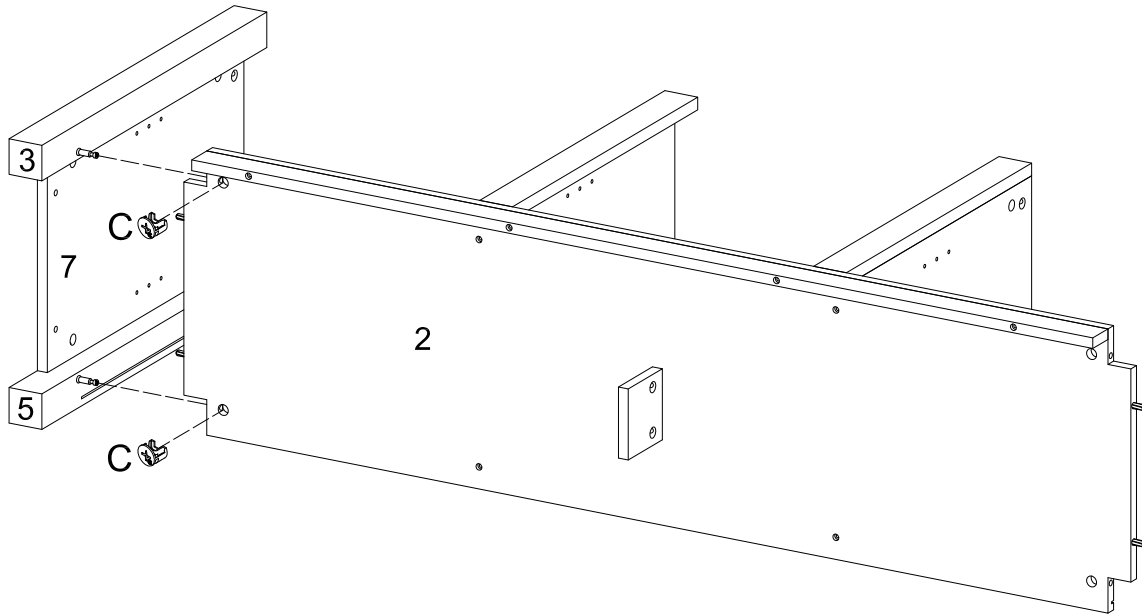
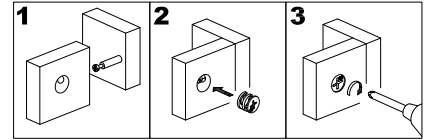
Step 8



(EN)

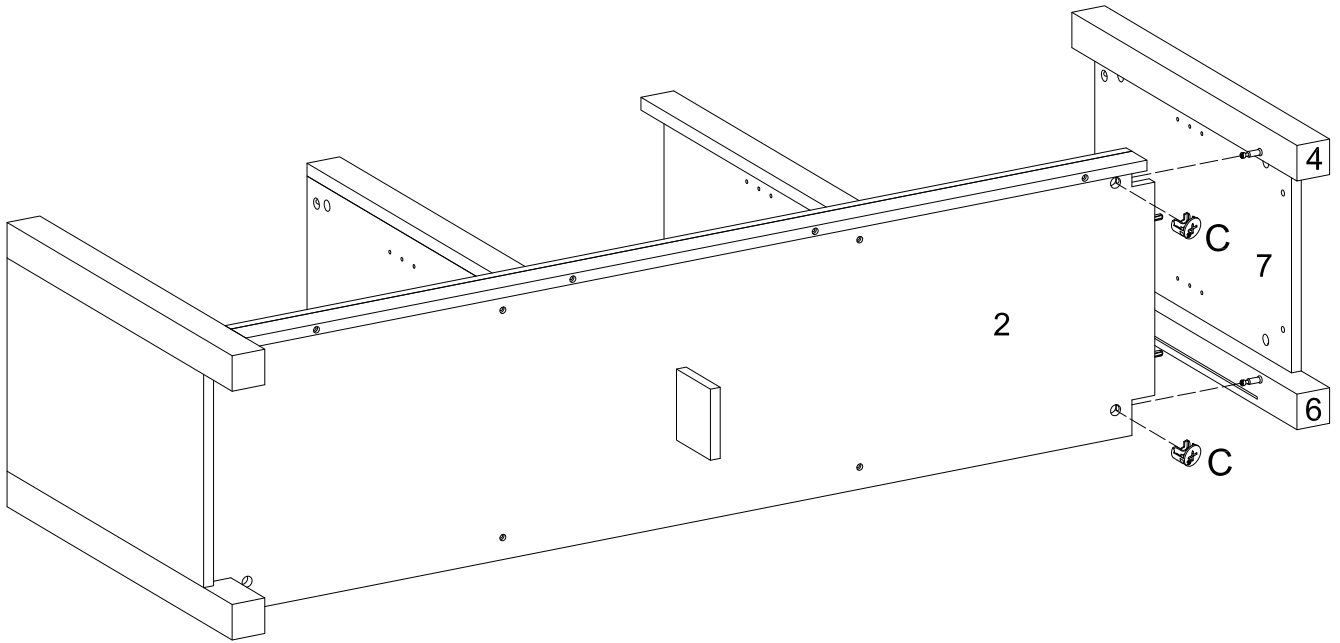
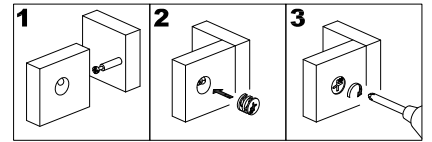
Use the wrench (S) to use bolts (D) to connect parts (9) and (10) to part (2).

Step 9



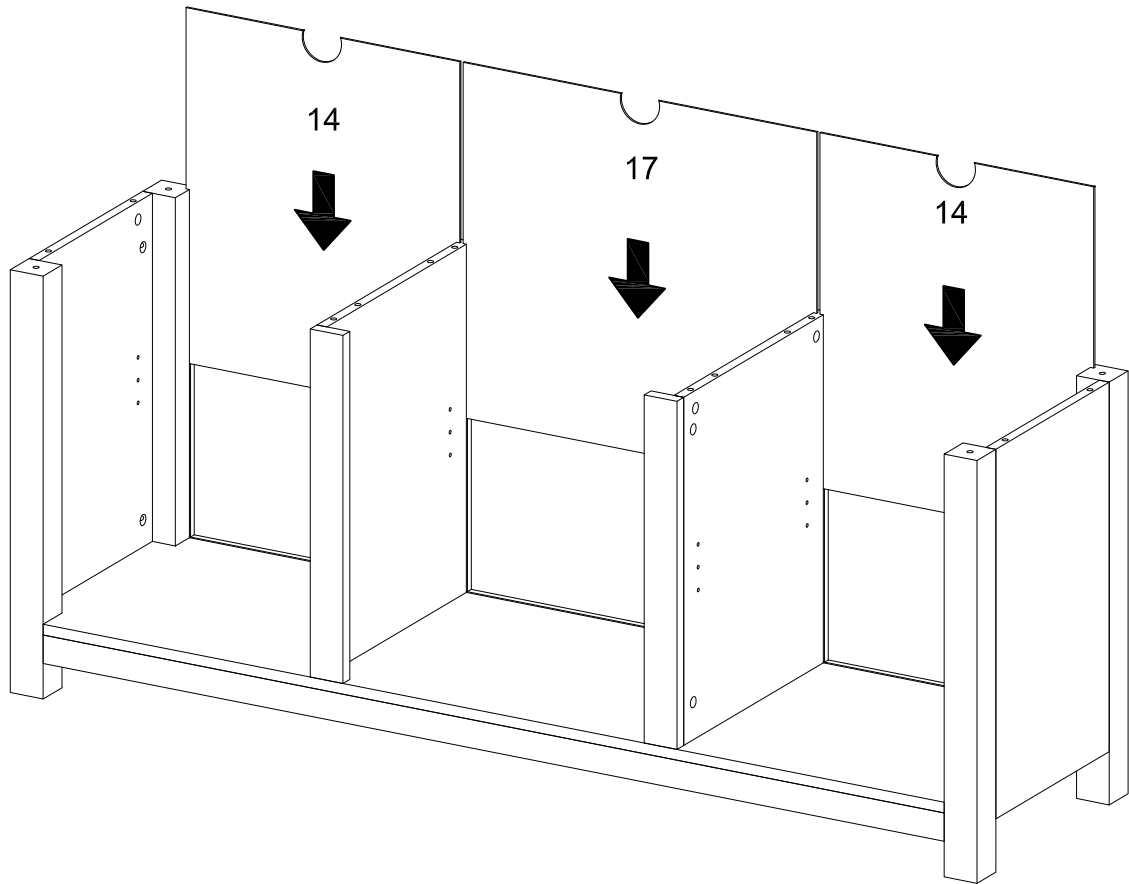
(EN)
Connect parts (3,5) to part (2) using cam locks (C)

Step 10



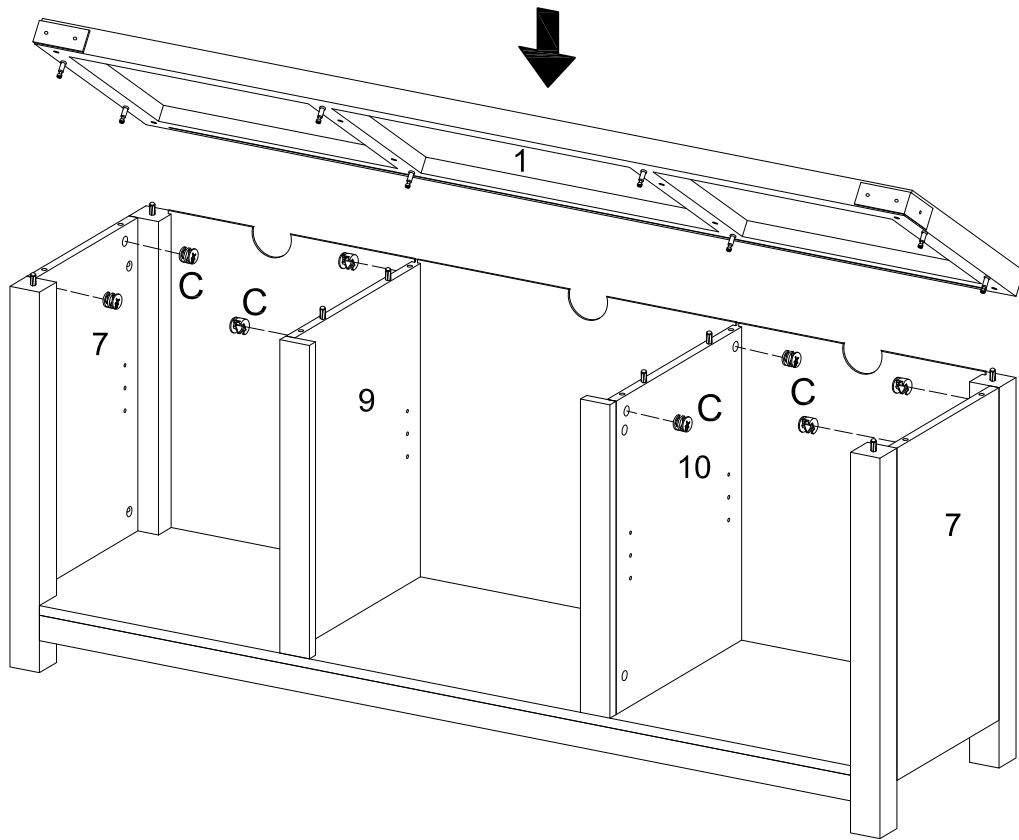
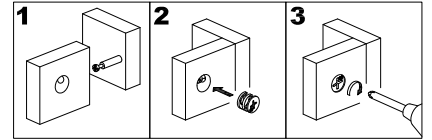
(EN)
Connect part (4,6) to part (2) using cam locks (C).

Step 11



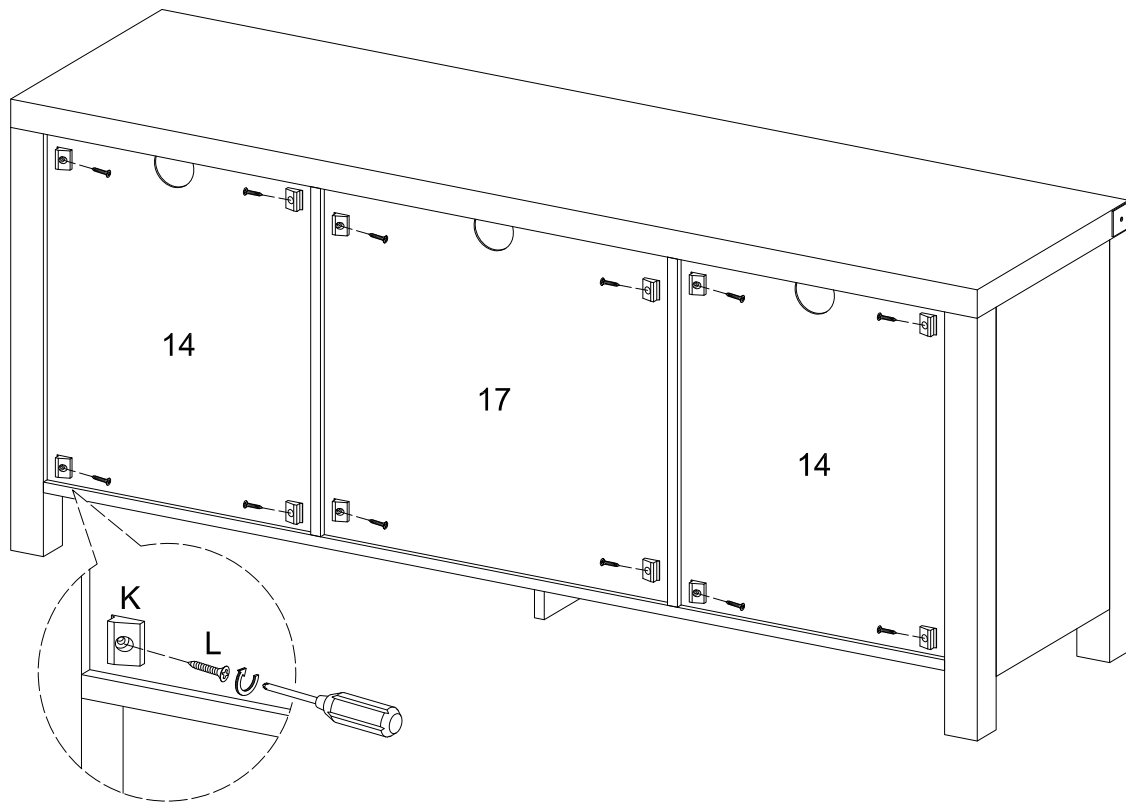
(EN)
Slide parts (14) and (17) into designated area.

Step 12



(EN)
Connect part (1) to frame using cam locks (C).

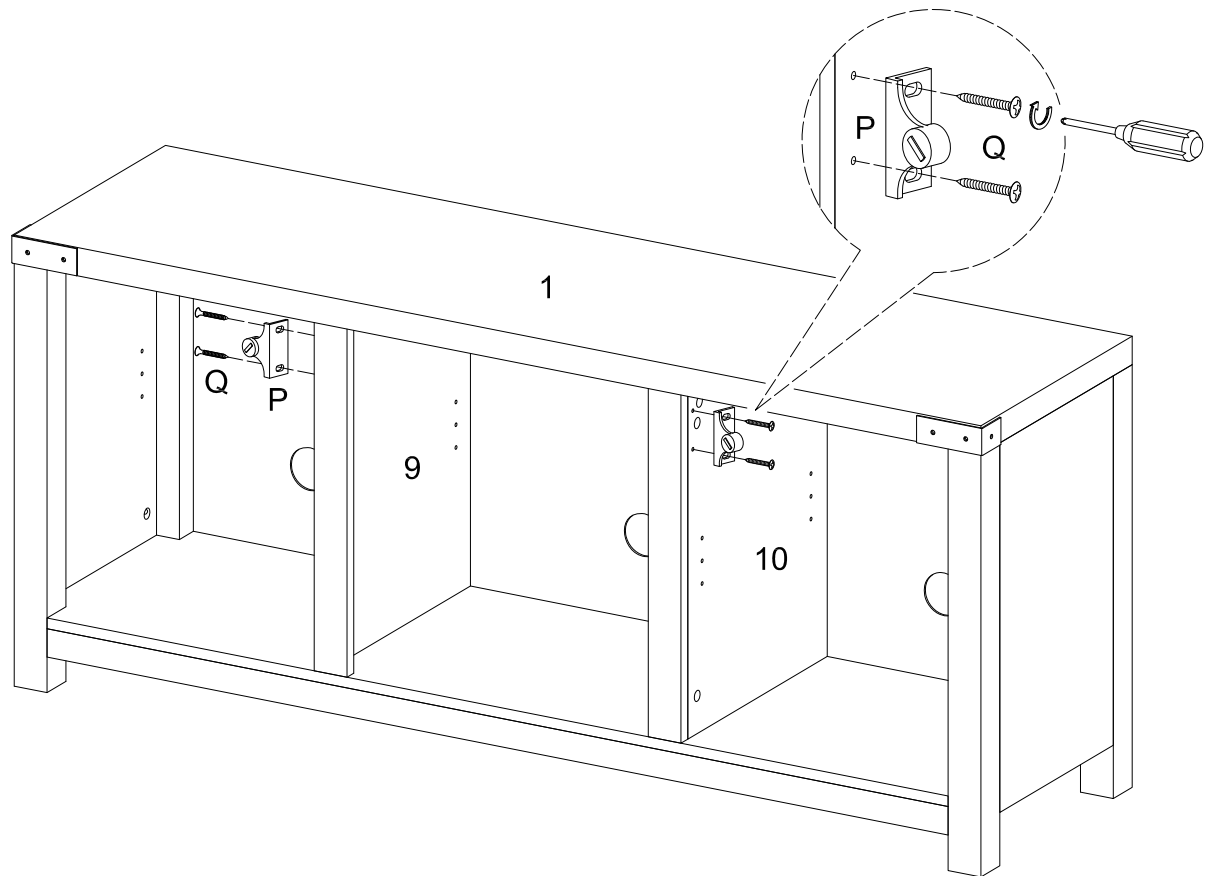
Step 13



(EN)

Attach the plastic wedges (K) by using the screws (L) as shown in the diagram.

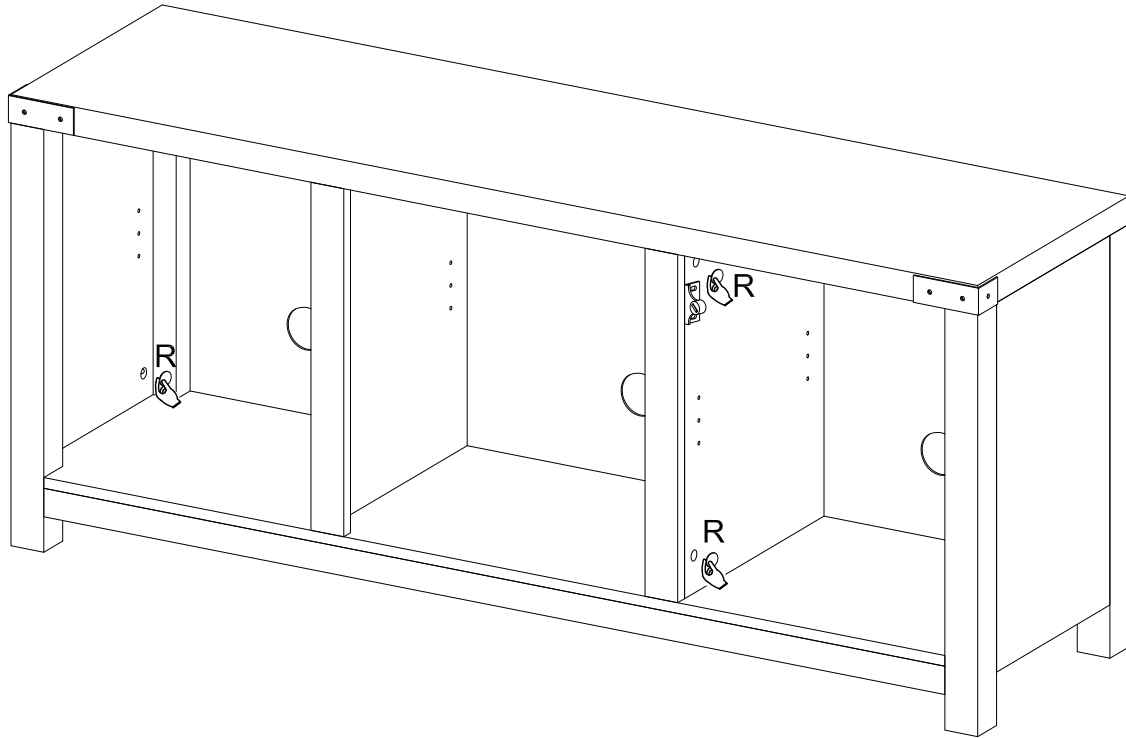
Step 14



(EN)

Attach door stopper (P) to designated areas by using screws (Q).

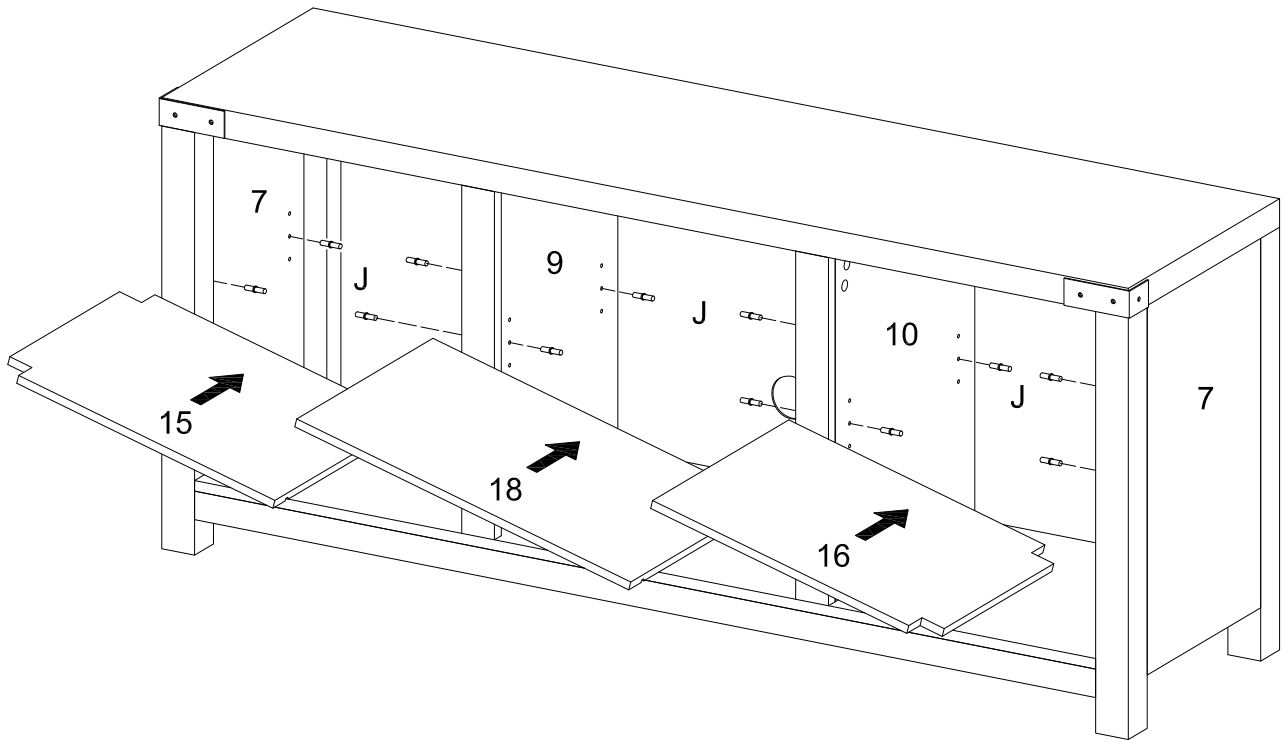
Step 15



(EN)

Place stickers (R) over cam locks as desired.

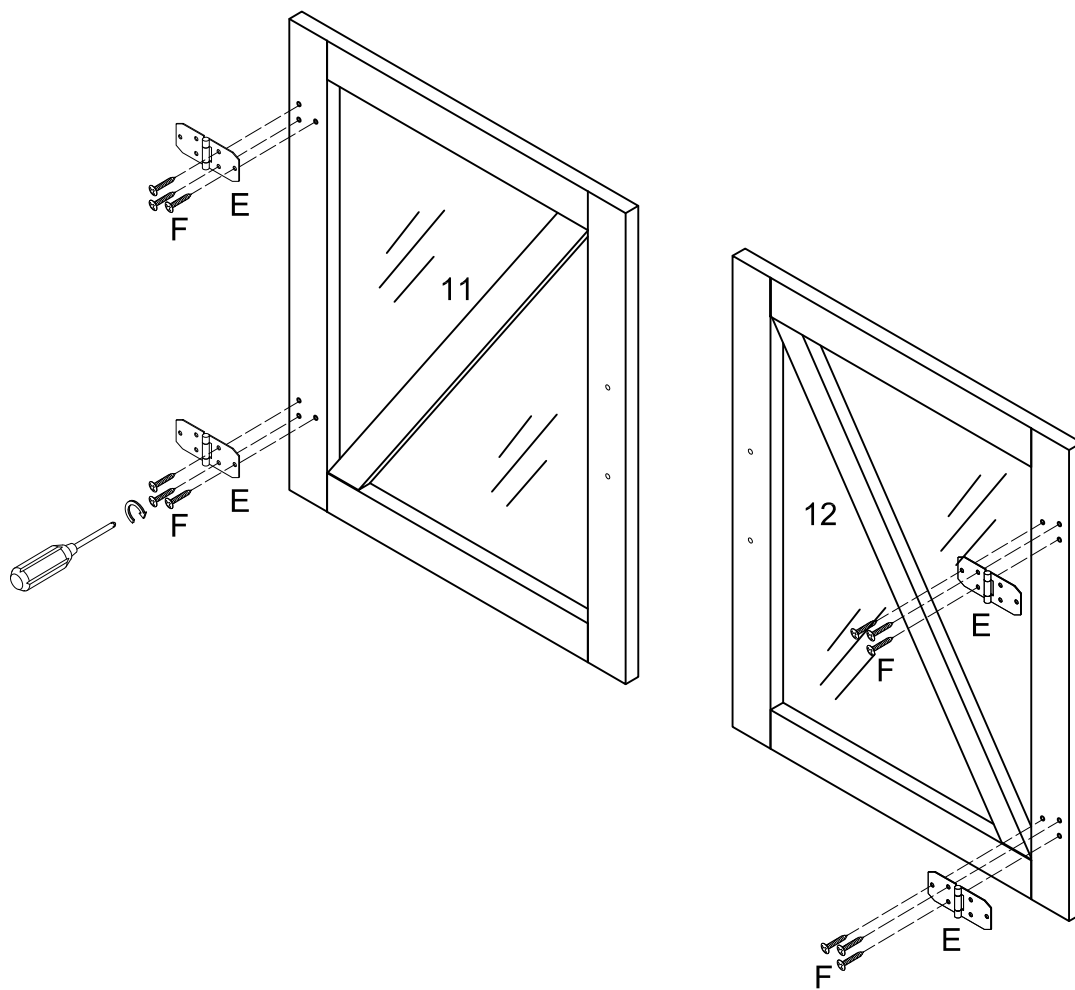
Step 16



(EN)

Insert shelf supports (J) and place shelves (15,16) and (18) as shown in the diagram.

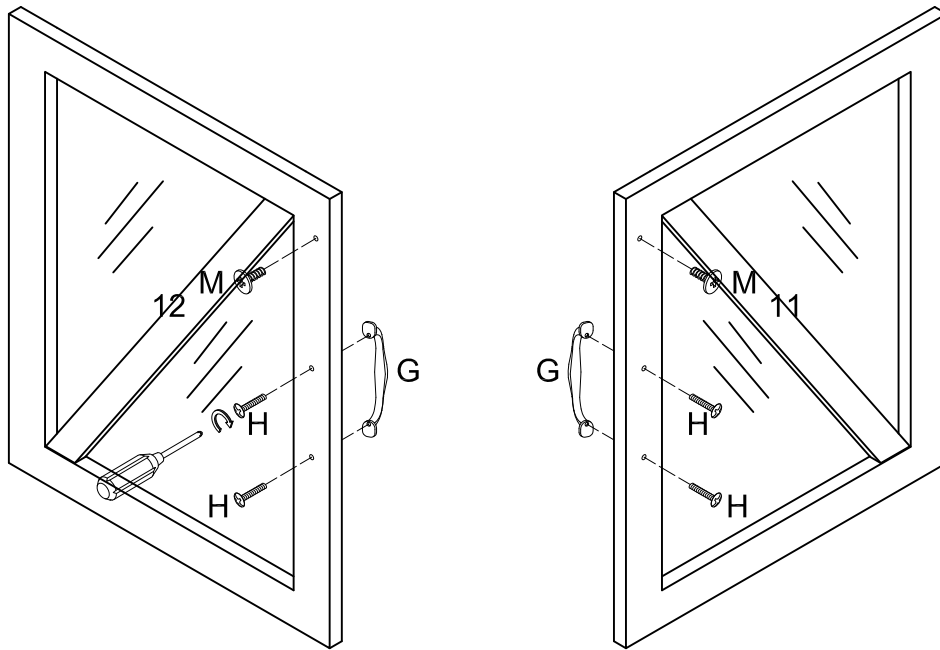
Step 17



(EN)

Attach hinges (E) to the doors (11,12) by using screws (F).

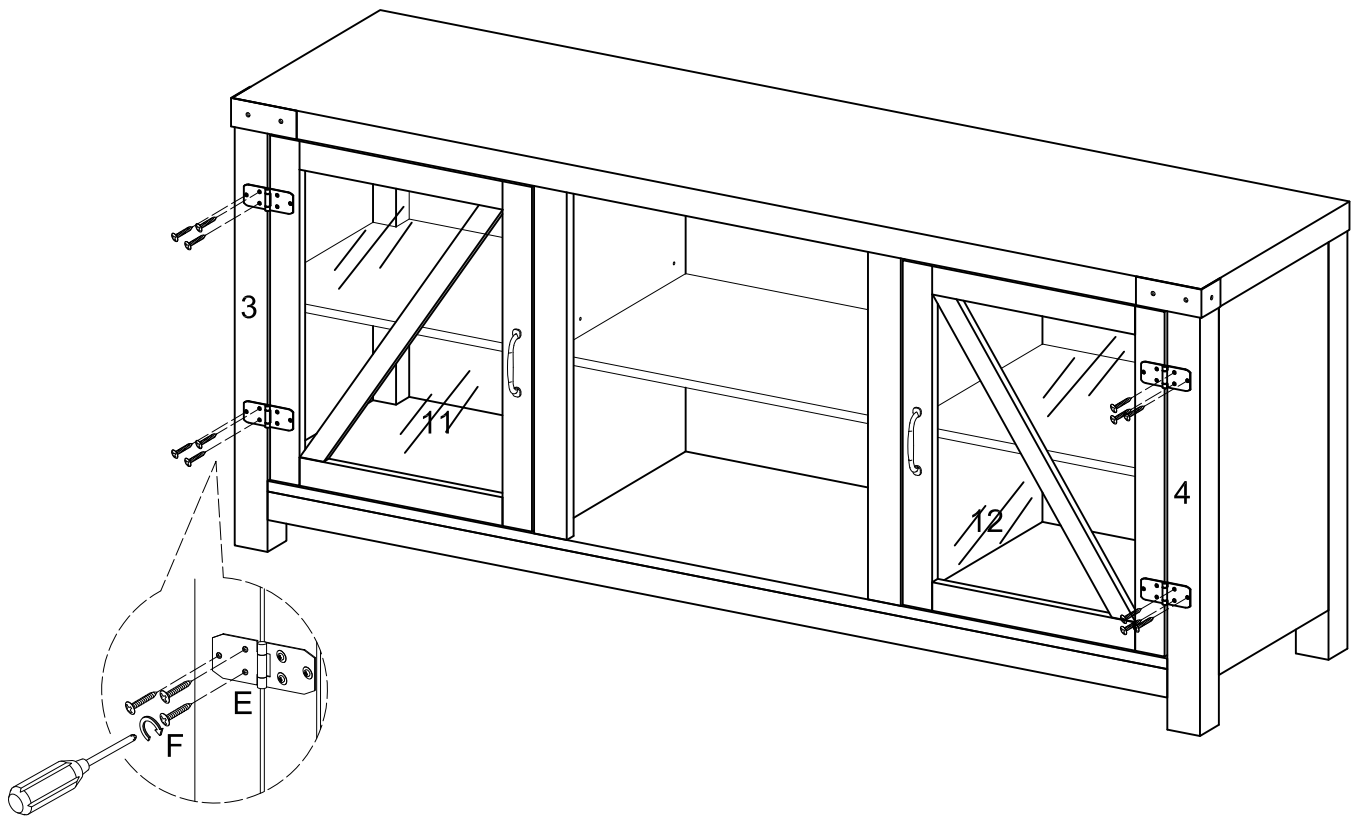
Step 18



(EN)

Attach handles (G) to the doors (11,12) by using screws (H). Attach metal stopper (M) using screw (N).

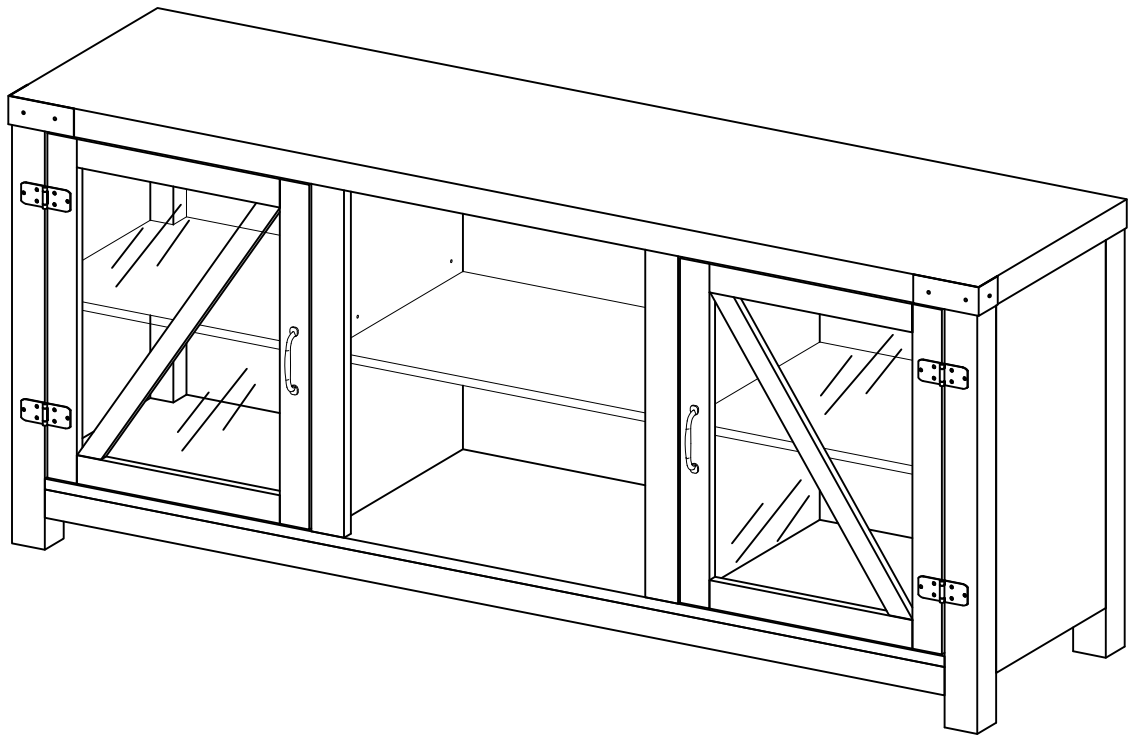
Step 19



(EN)

Attach hinges (E) by using screws (F) as shown in the diagram.

Step 20



Final Assembly