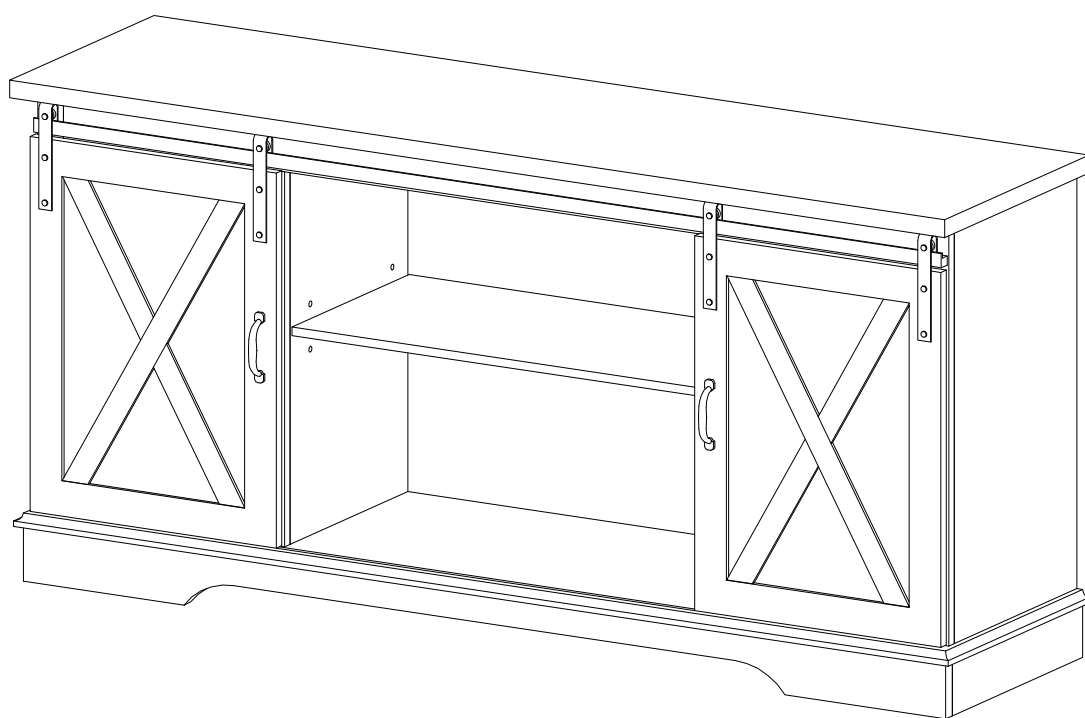


Item # : W58SBD
Assembly Instructions

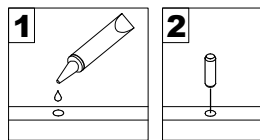


Please visit our website for the most current instructions, assembly tips, report damage, or request parts. www.walkeredison.com

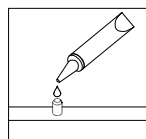
Revised 04/23/2018

General Assembly Guidelines

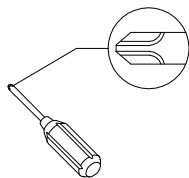
- I. Ensure that all parts and hardware are available before beginning assembly.
- II. Follow each step carefully to ensure the proper assembly of this product.
- III. Two people are recommended for ease in the assembly of this product.
- IV. The three main types of hardware used to assemble this product are : wood dowels , screws and bolts.
- V. The provided glue is to secure wood dowels in place . When first inserting dowels , locate the appropriate hole for the dowel , place a small amount of glue in the hole and insert the dowel . Wipe away excess glue immediately.



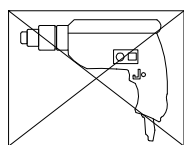
In future assembly steps when dowels are necessary to attach assembly parts together , place a small amount of glue on the end of the dowel before attaching parts together . Wipe away excess glue immediately.



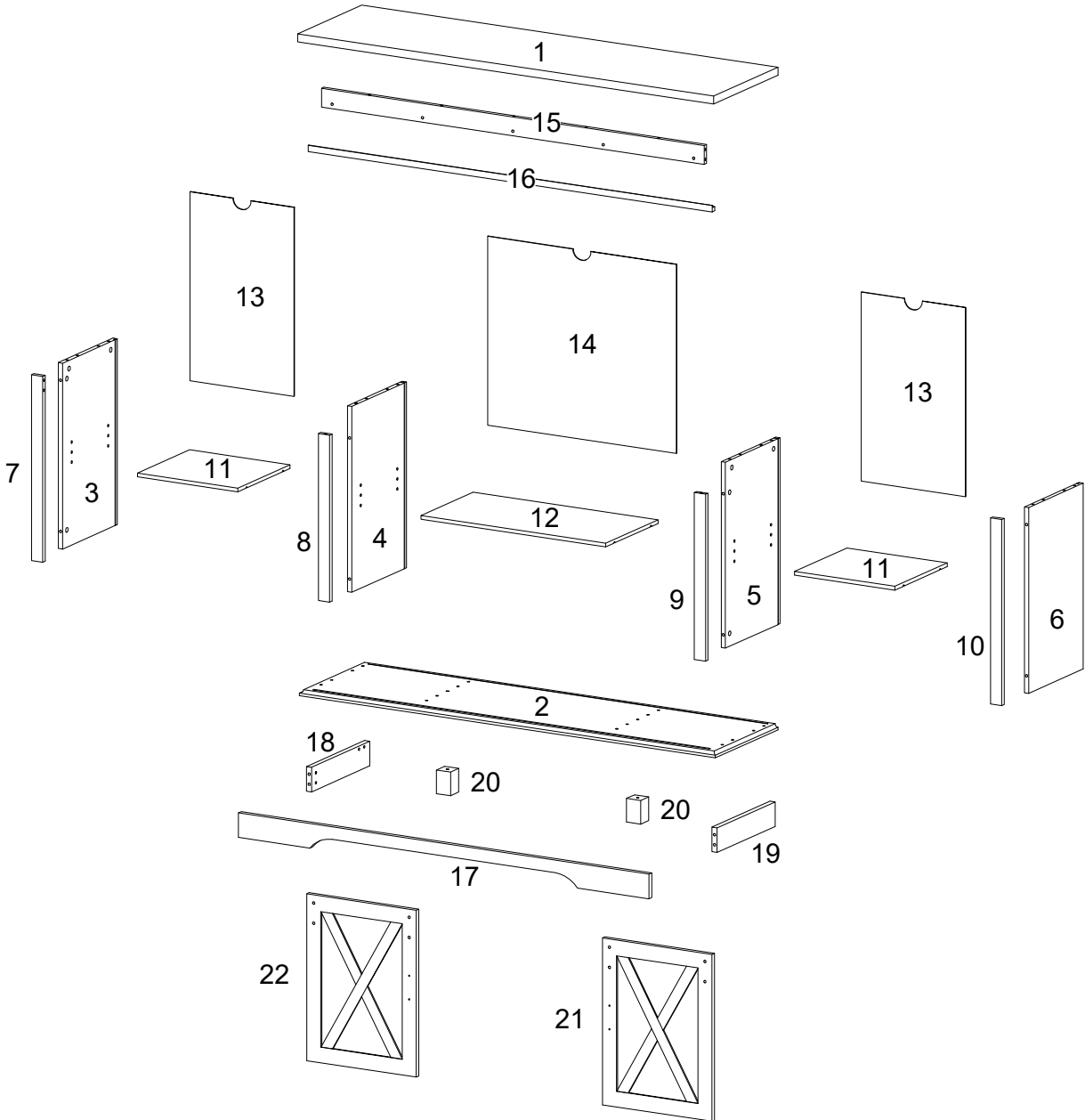
- VI. A Phillips head screwdriver is required for the assembly of this product .




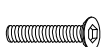

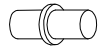
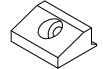
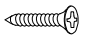

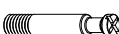




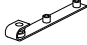





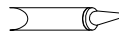
- VII. Power tools should not be used to assemble this product .

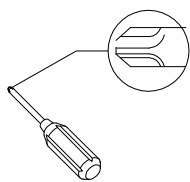


Parts List



Hardware List

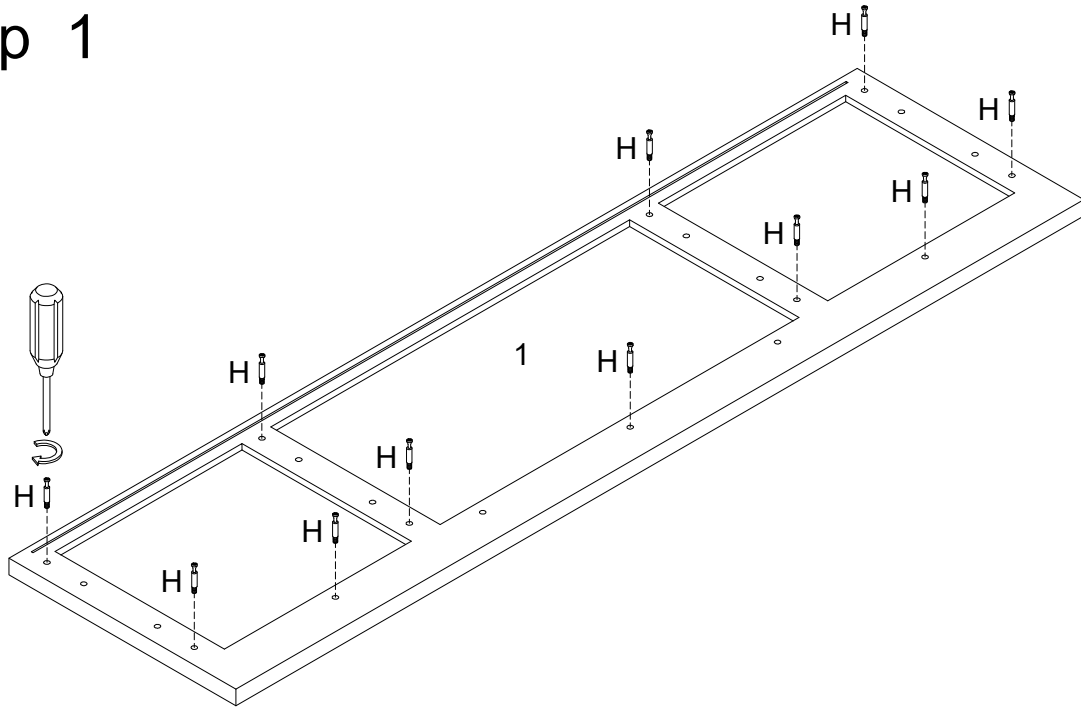
A		Ø8x30mm	Wooden dowel	30 pcs
B		Ø1/4x30mm	Bolt	5 pcs
C		Ø6x12mm	Bolt	12 pcs
D		Ø5x16mm	Shelf support pin	12 pcs
E			Plastic wedge	12 pcs
F		Ø3x17mm	Screw	12 pcs
G		Ø15x9.5mm	Cam lock	21 pcs
H		Ø6x32mm	Cam bolt	21 pcs
J		Ø6x50mm	Bolt	10 pcs
K		Ø4x12mm	Screw	8 pcs
L			Plate	4 pcs
M		Ø1/4x12mm	Bolt	8 pcs
N			Pulley	4 pcs
P		M 4	Hex key	1 pcs
Q		56x27x27mm	Connector	6 pcs
R		Ø30mm	Sticker	21 pcs
S		Ø4x19mm	Bolt	4 pcs
T			Handle	2 pcs
U			Glue tube	1 pcs



Philips head screwdriver required for assembly
(not included)

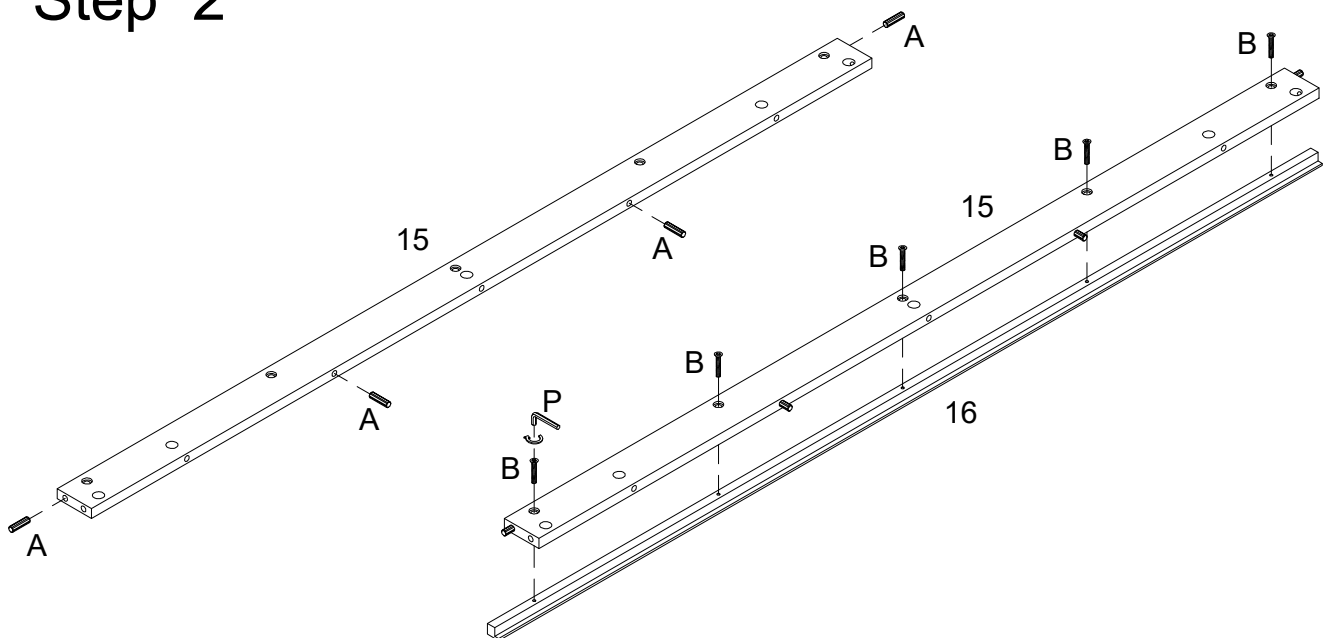
*The hardware quantities listed above are required for proper assembly.
Some extra hardware may also have been included.*

Step 1



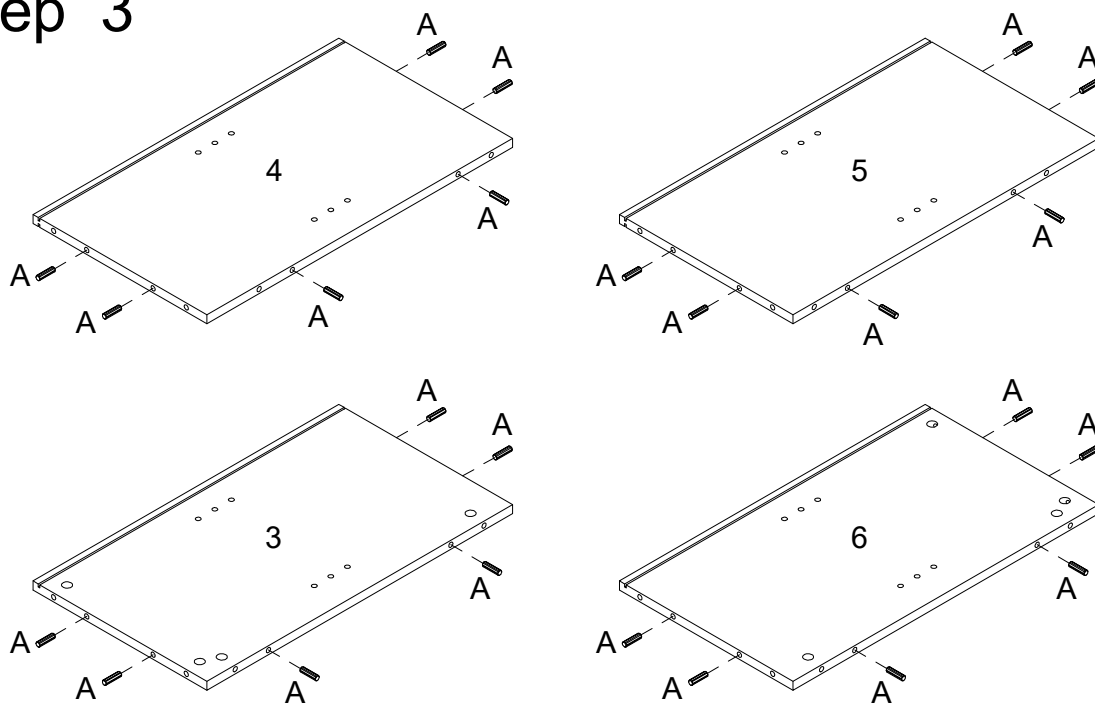
Attach cam bolt (H) to part (1) with screwdriver.

Step 2



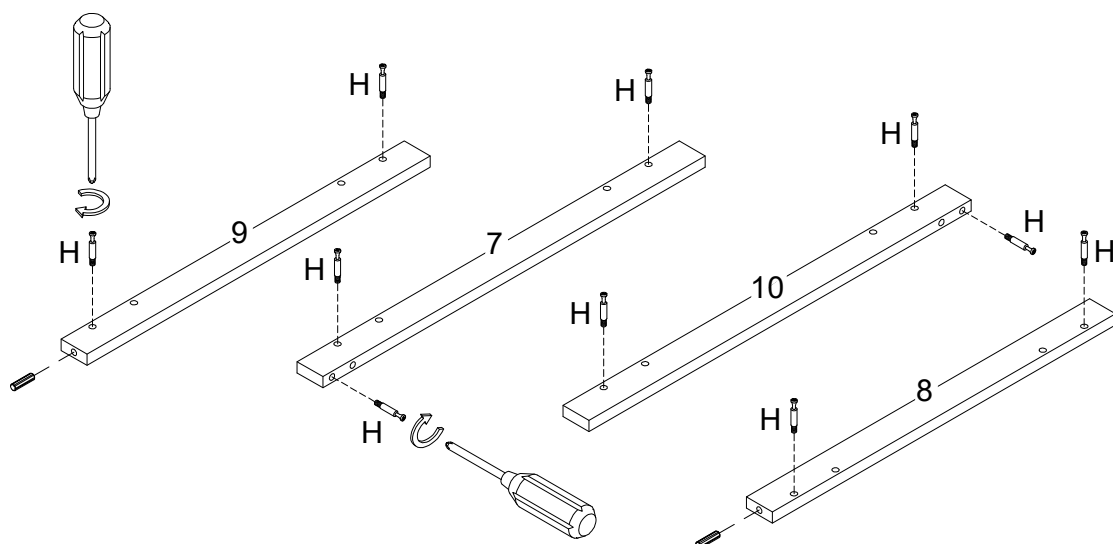
Insert wooden dowel (A) into part (15). Attach part (15) to part (16) using bolt (B) with hex key (P).

Step 3



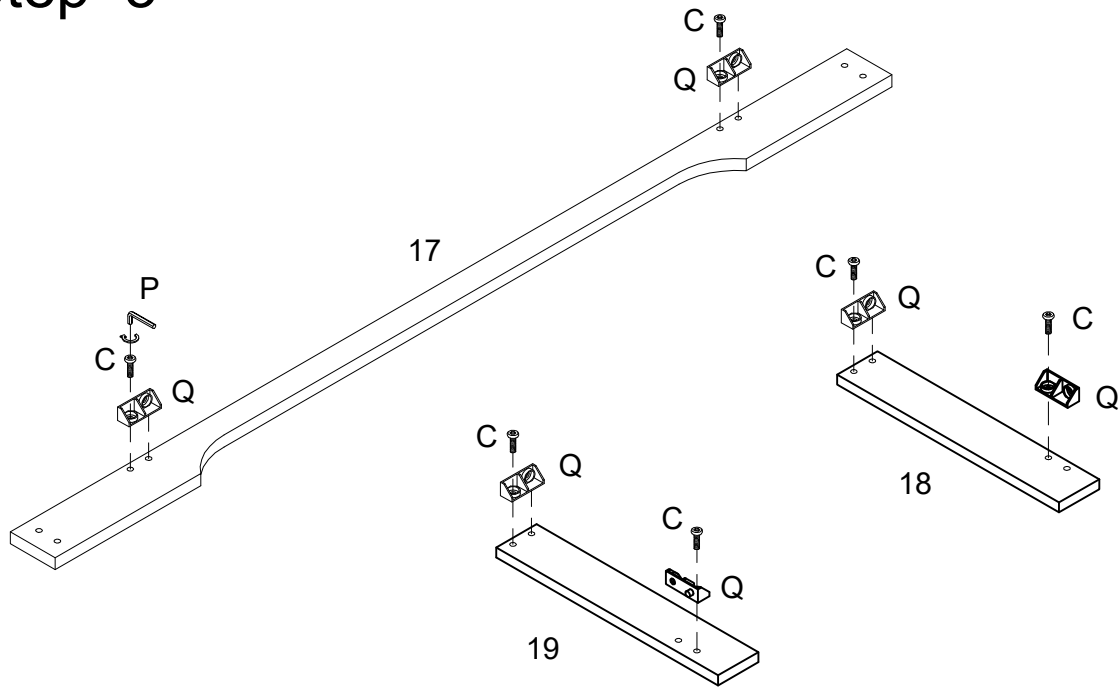
Insert wooden dowel (A) into part (3,4,5,6).

Step 4



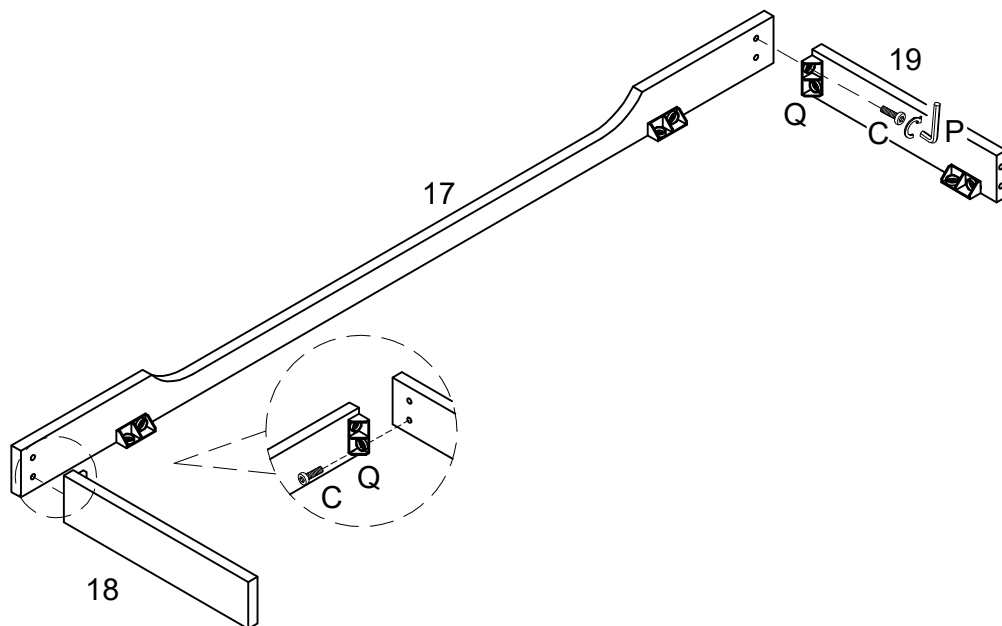
Attach cam bolt (H) to part (7,8,9,10) with screwdriver.

Step 5



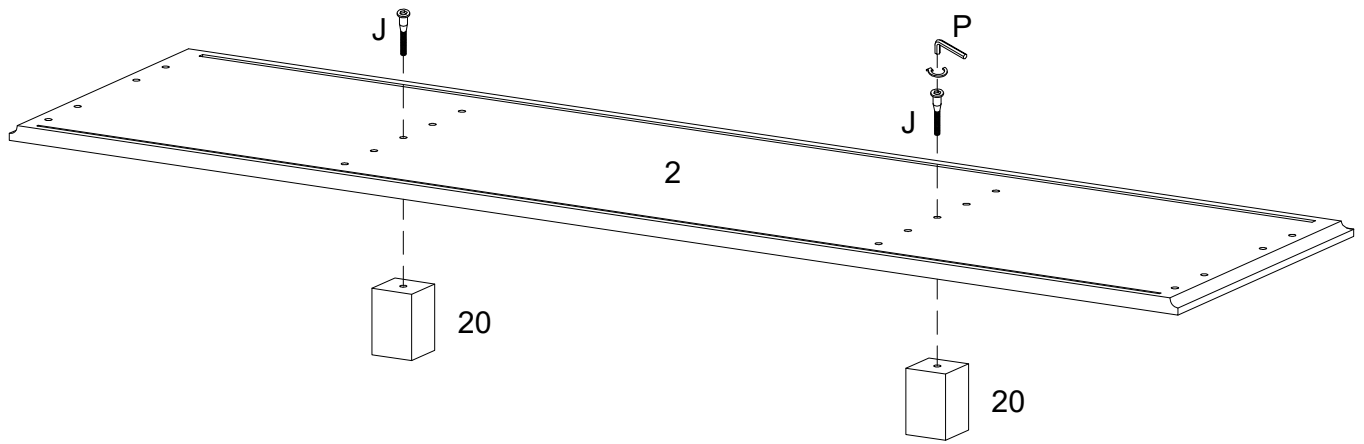
Attach connector (Q) to part (17,18,19) using bolt (C) with hex key (P).

Step 6



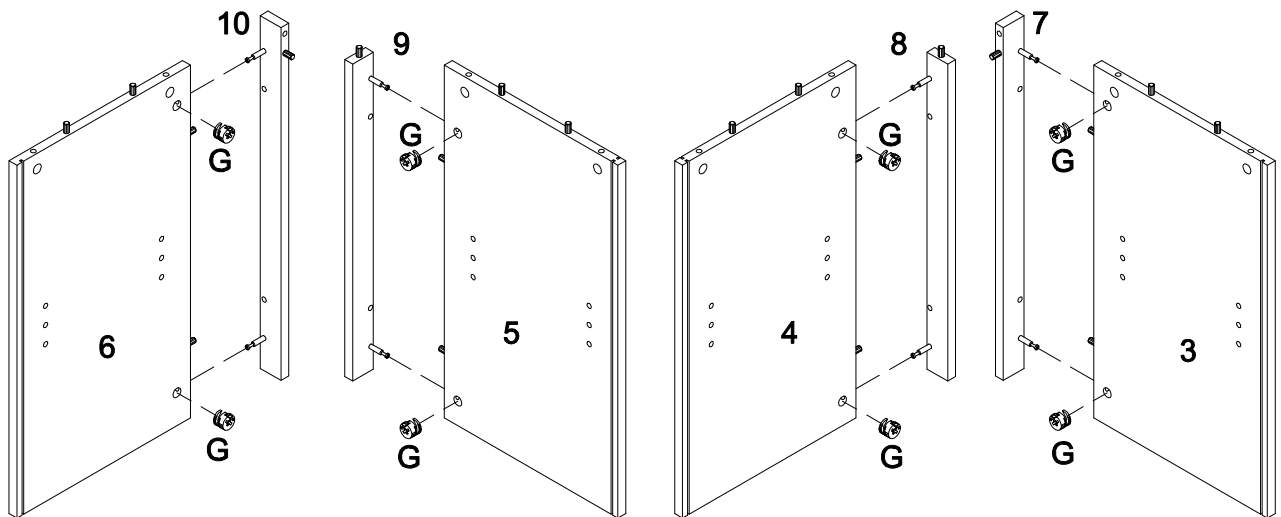
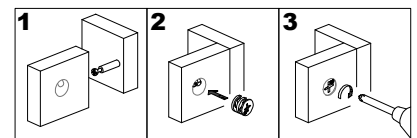
Attach connector (Q) to part (17) using bolt (C) with hex key (P).

Step 7



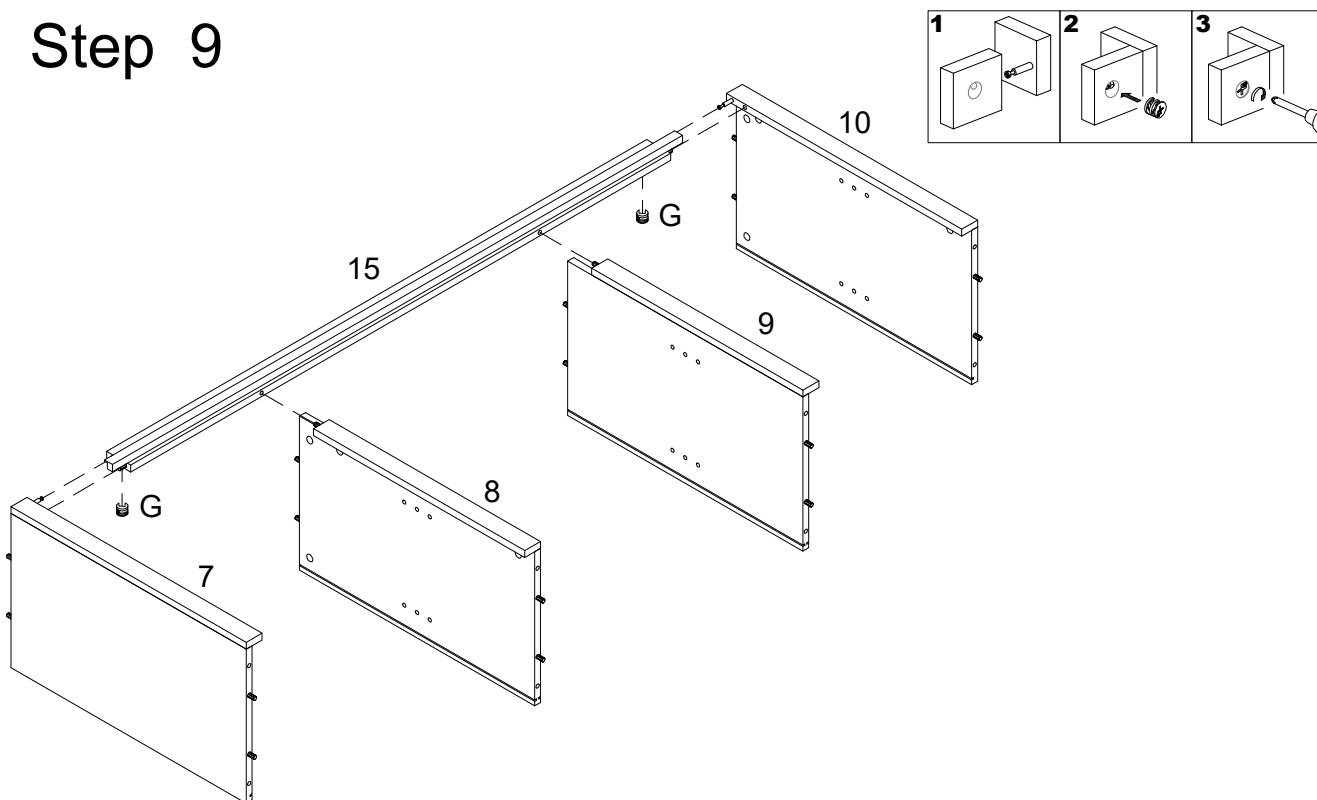
Attach part (20) to part (2) using bolt (J) with hex key (P).

Step 8



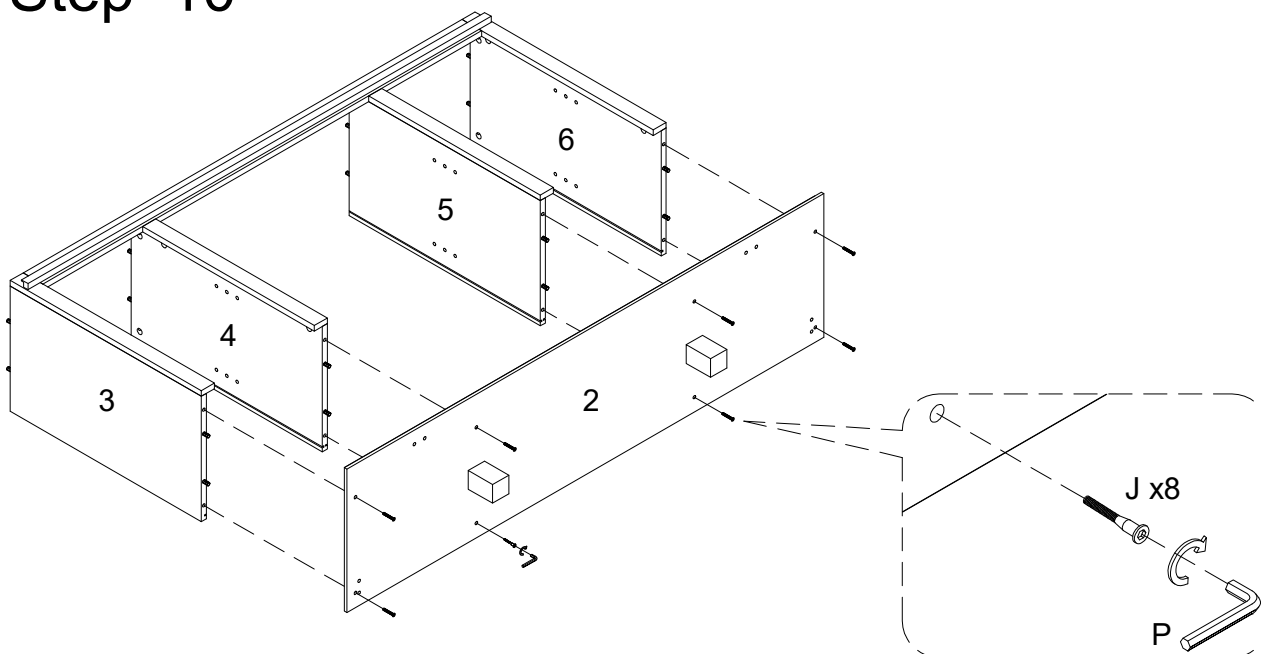
Attach part (7,8,9,10) to part (3,4,5,6), then insert and secure cam lock (G) to part (3,4,5,6) to lock it.

Step 9



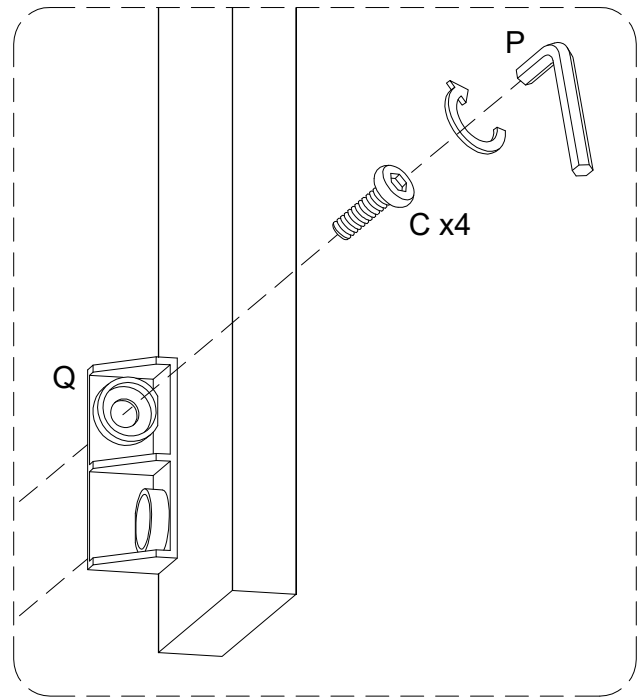
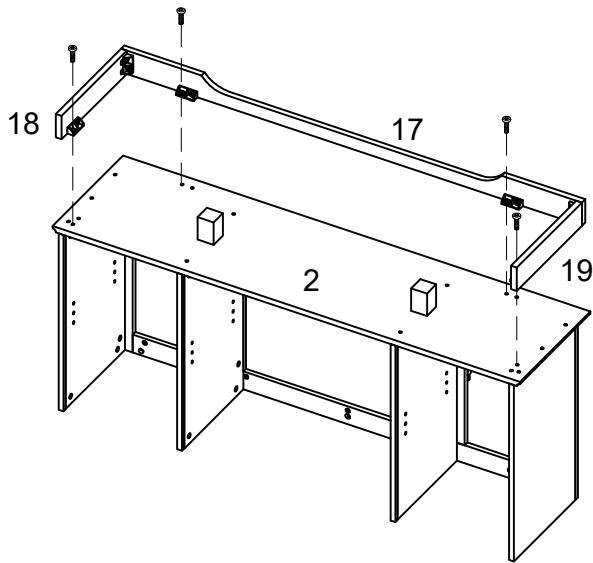
Attach part (7,8,9,10) to part (15), then insert and secure cam lock (G) to part (15) to lock it.

Step 10



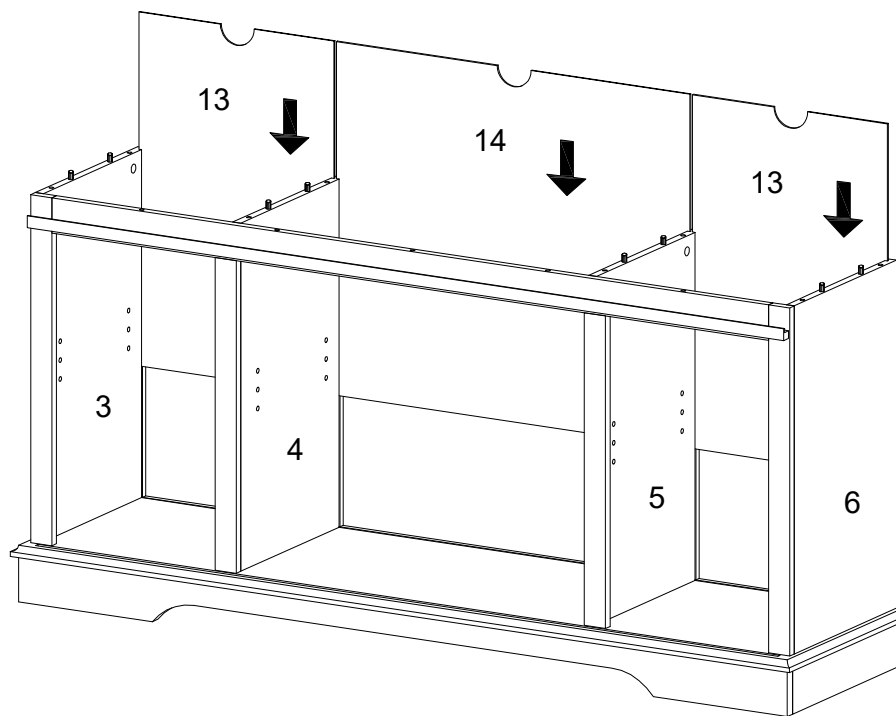
Attach part (2) to part (3,4,5,6) using bolt (J) with hex key (P).

Step 11



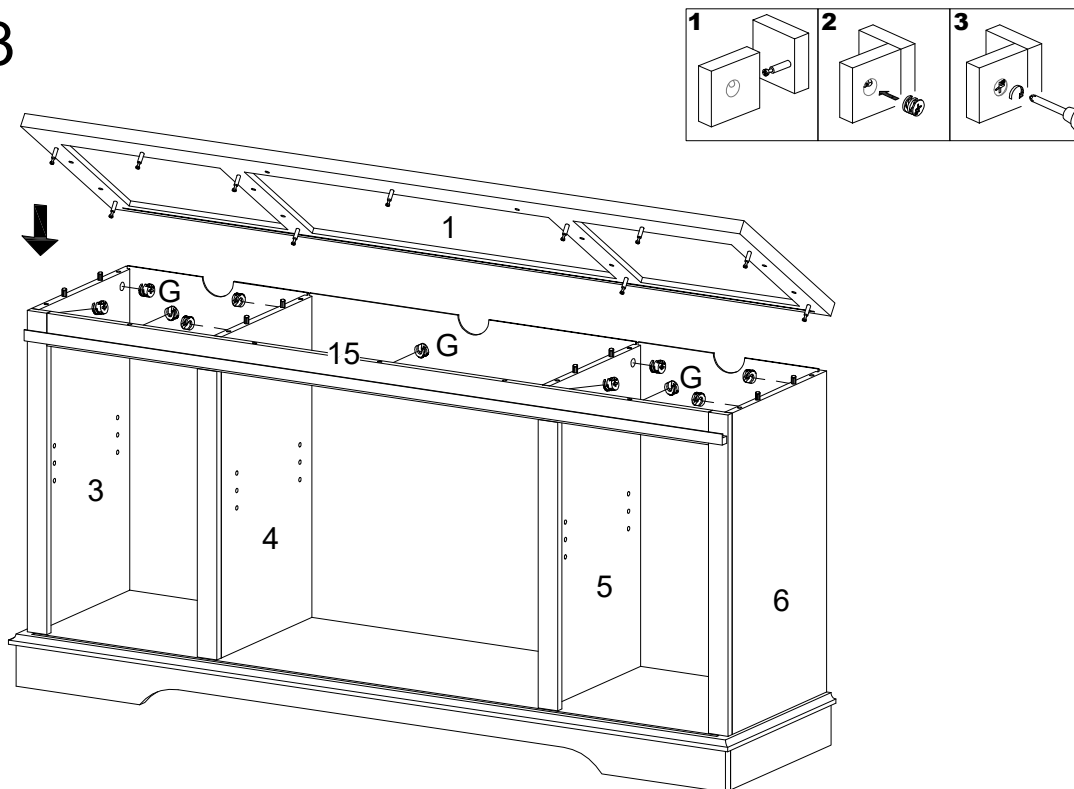
Attach connector (Q) to part (2) using bolt (C) with hex key (P).

Step 12



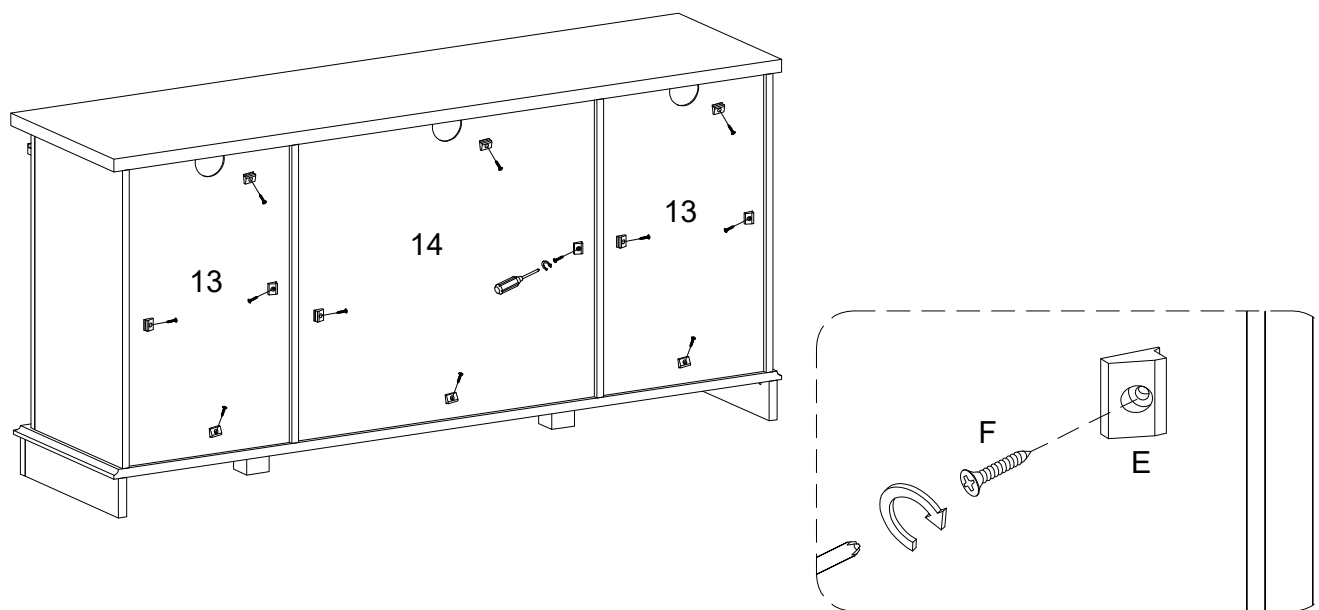
Slide back panel (13,14) into grooves as per diagram.

Step 13



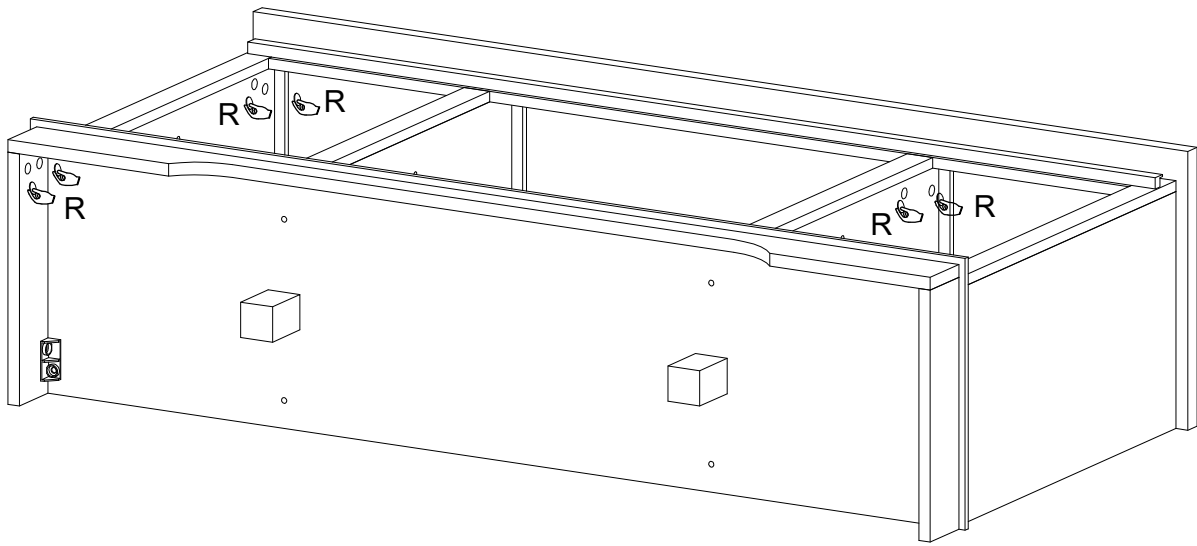
Attach part (1) to part (3,4,5,6), then insert and secure cam lock (G) to part (3,4,5,6) to lock it.

Step 14



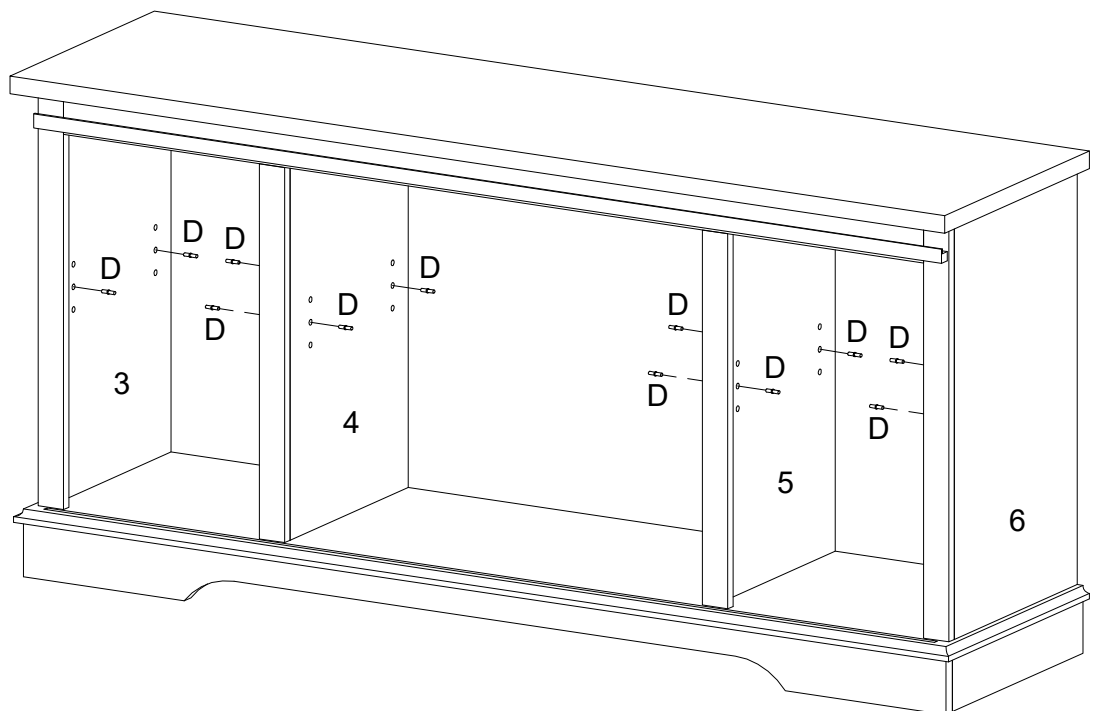
Attach plastic wedge (E) to part (13,14) using screw (F) with screwdriver.

Step 15



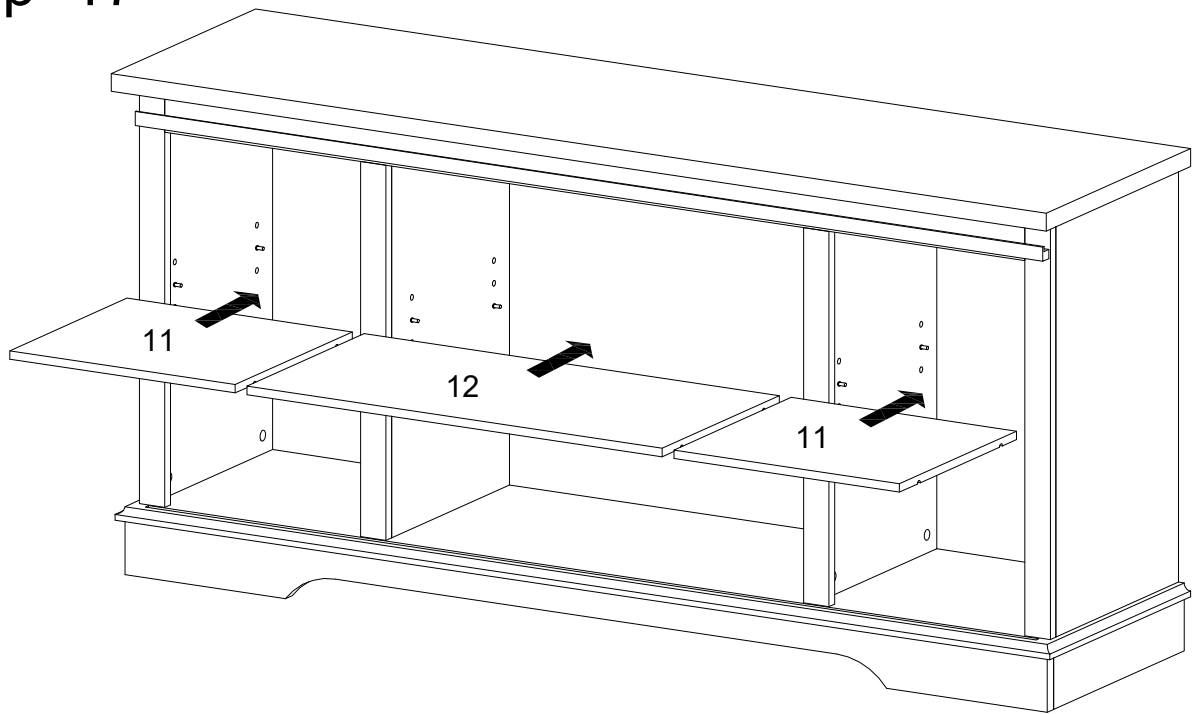
Place sticker (R) over holes as per diagram.

Step 16



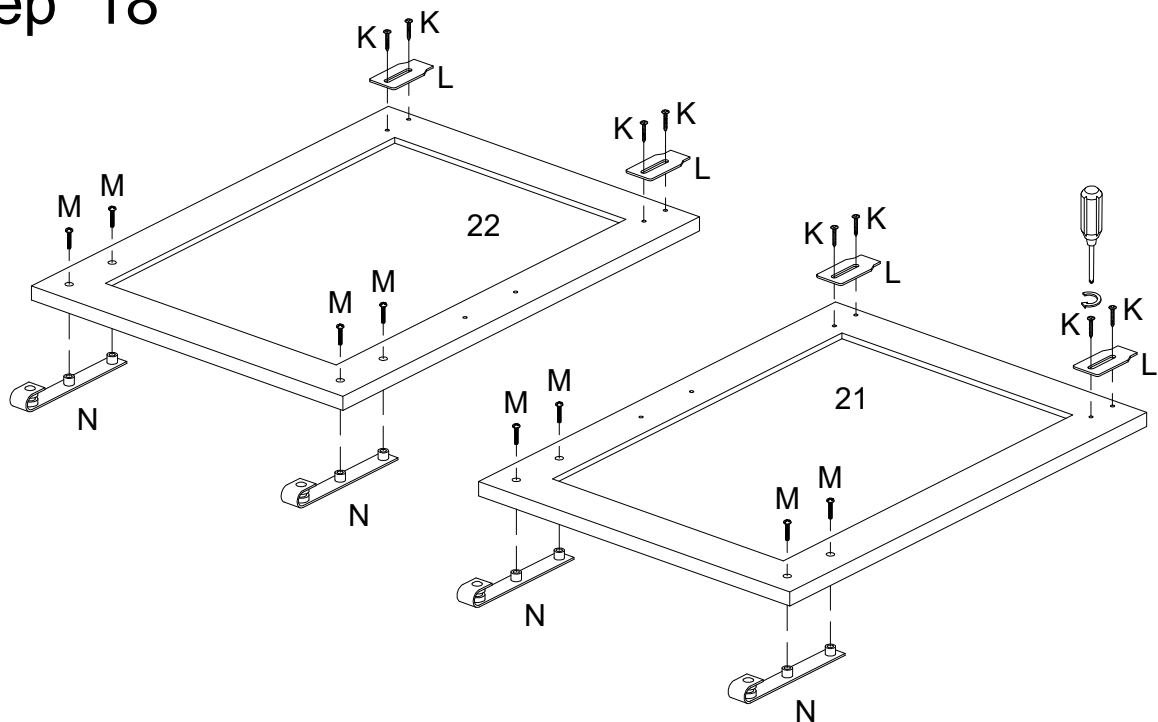
Insert shelf support pin (D) into part (3,4,5,6).

Step 17



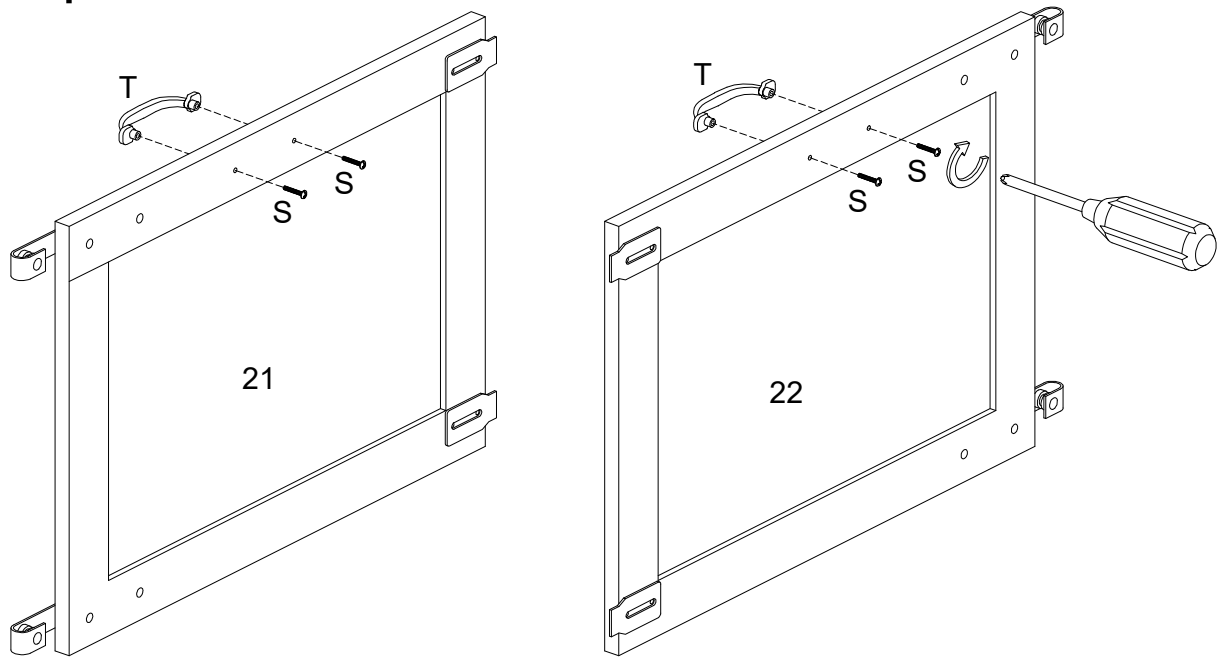
Place shelf (11,12) on top of support pin.

Step 18



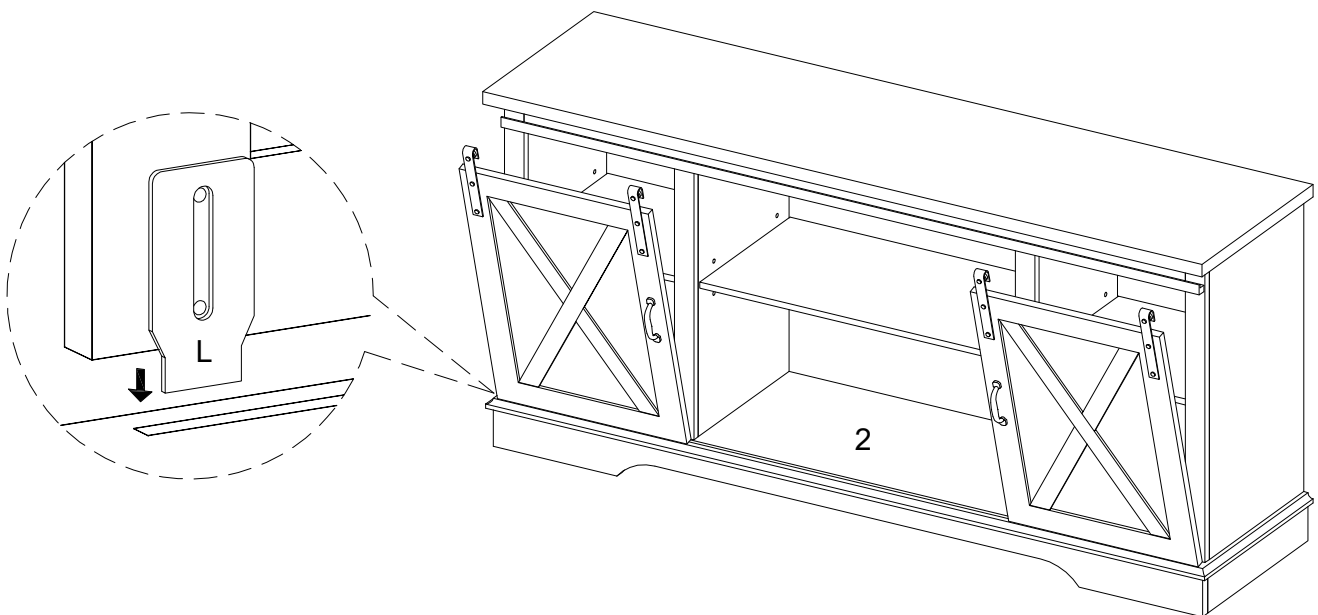
Attach pulley (N) using bolt (M), and plate (L) using screw (K) to part (21,22) with screwdriver.

Step 19



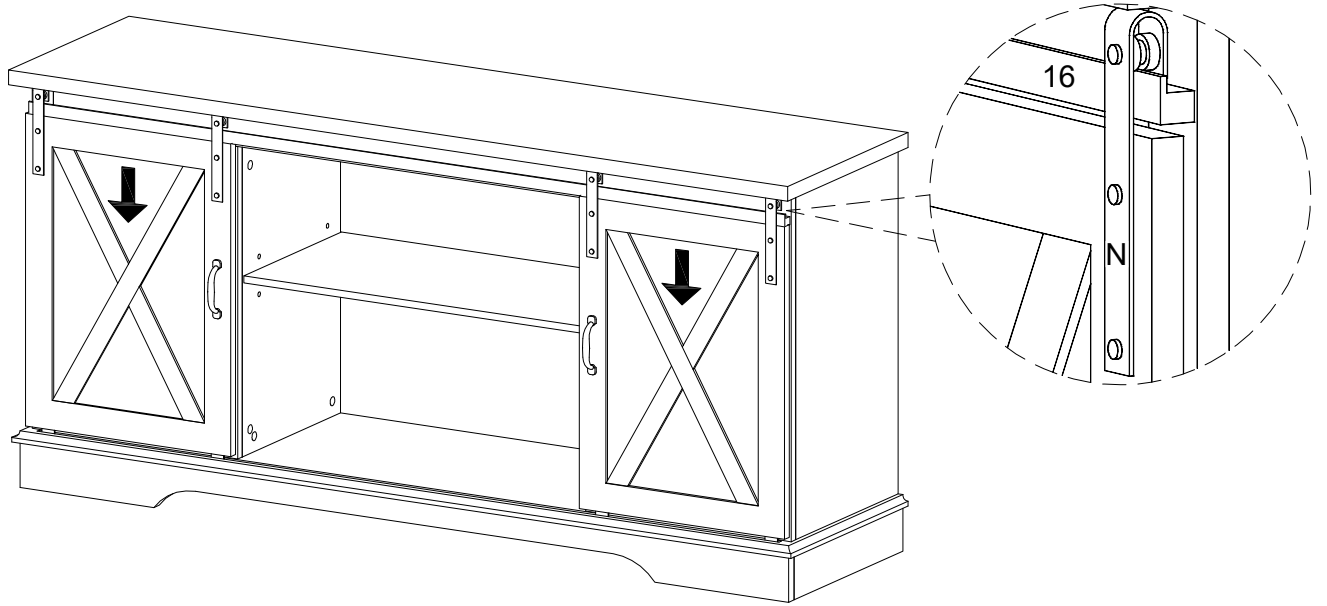
Attach handle (T) to part (21,22) using bolt (S) with screwdriver.

Step 20



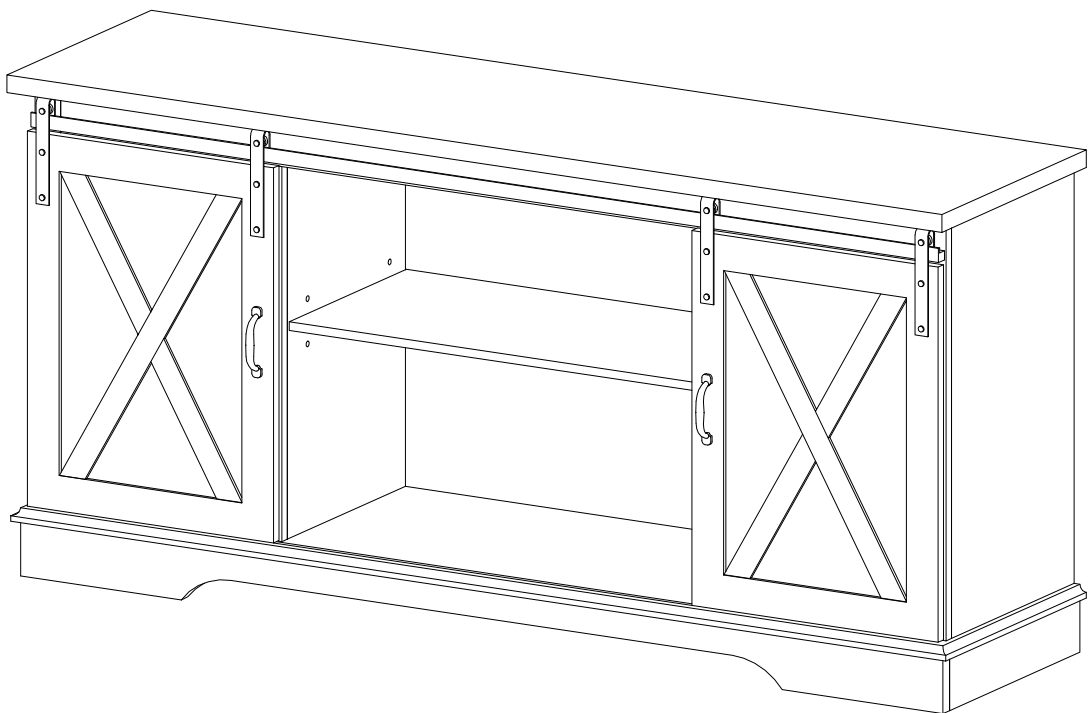
Place plate (L) on door into groove.

Step 21



Hang pulley (N) to part (16), then press down to hold the door.

Step 22



Final Assembly