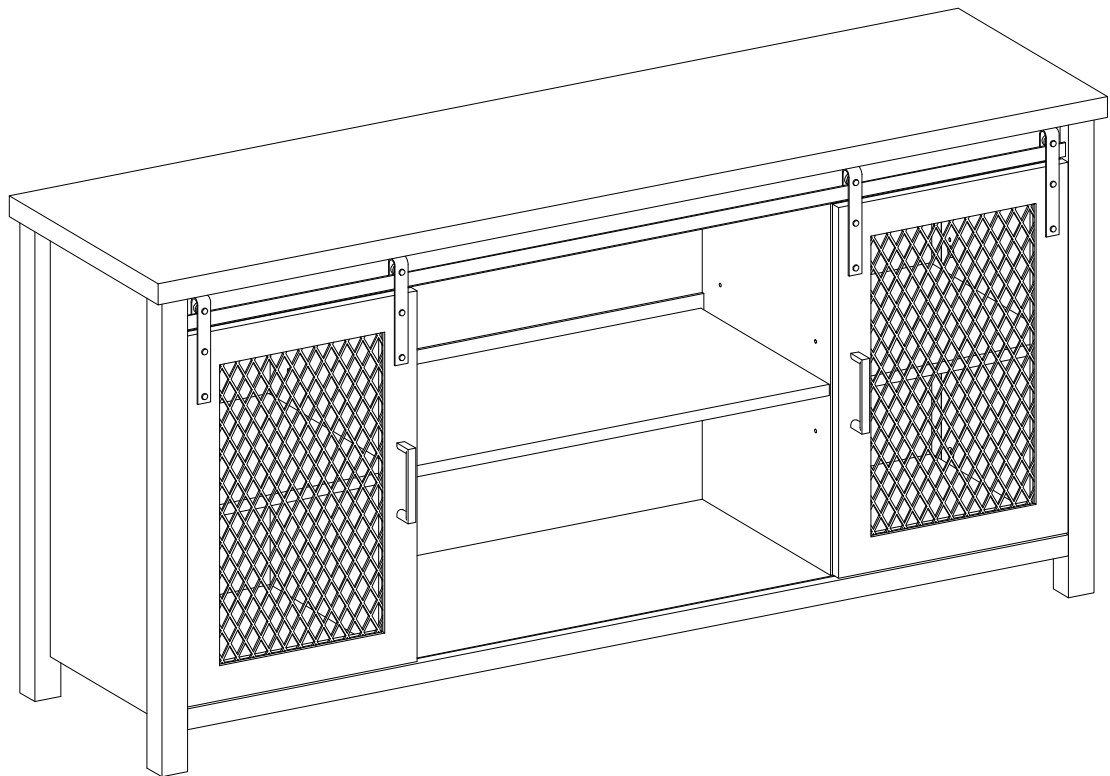


Item # : W58SMD

Assembly Instructions



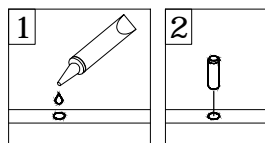
Walker Edison®

Please visit our website for the most current instructions, assembly tips, report damage, or request parts. www.walkerredison.com

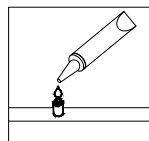
Revised 12/09/2018

General Assembly Guidelines

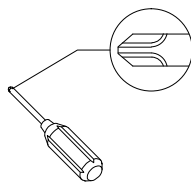
- I. Ensure that all parts and hardware are available before beginning assembly.
- II. Follow each step carefully to ensure the proper assembly of this product.
- III. Two people are recommended for ease in the assembly of this product.
- IV. The three main types of hardware used to assemble this product are: wood dowels, screws and bolts.
- V. The provided glue is to secure wood dowels in place. When first inserting dowels, locate the appropriate hole for the dowel, place a small amount of glue in the hole and insert the dowel. Wipe away excess glue immediately.



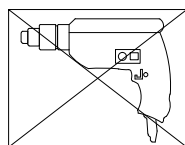
In future assembly steps when dowels are necessary to attach assembly parts together, place a small amount of glue on the end of the dowel before attaching parts together. Wipe away excess glue immediately.



- VI. A Phillips head screwdriver is required for the assembly of this product .

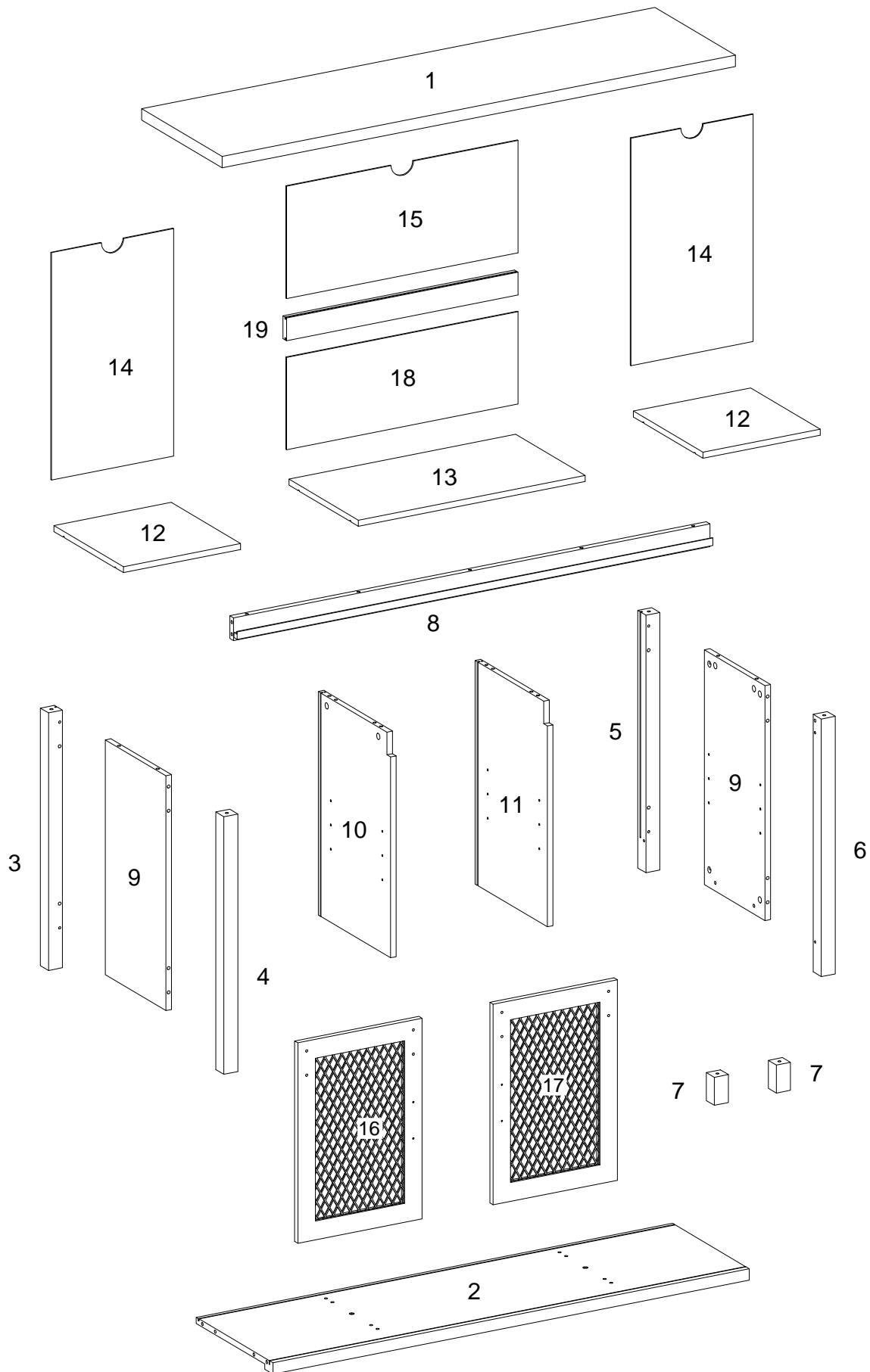


- VII. Power tools should not be used to assemble this product.


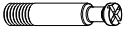






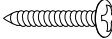
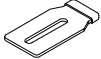
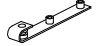
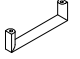


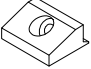



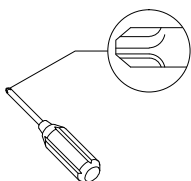
- VIII. Drill may be needed for securing product to wall.

Parts List



Hardware List

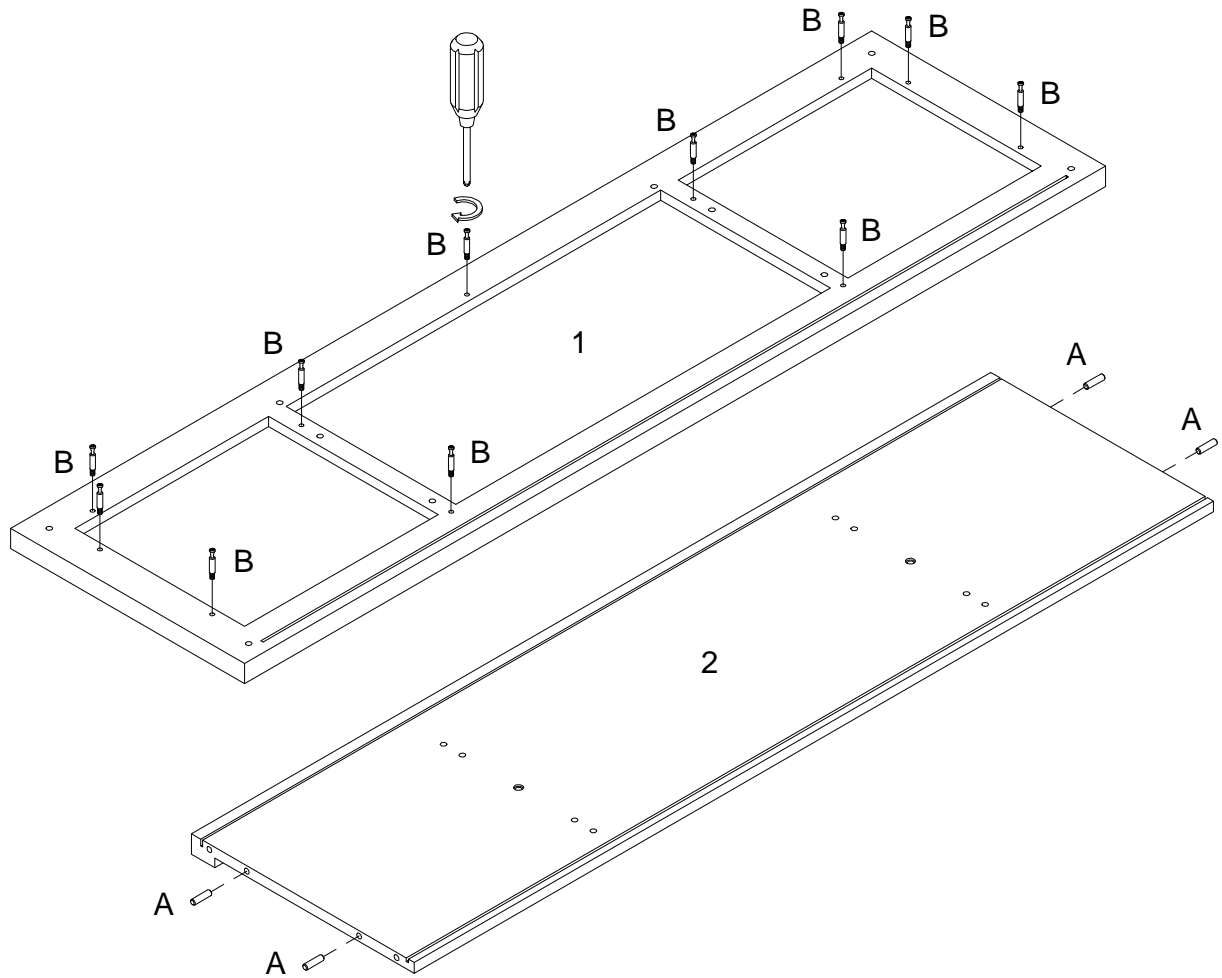
A		Ø8x30mm	Wooden dowel	28 pcs
B		Ø6x35mm	Cam bolt	25 pcs
C		Ø15x11mm	Cam lock	25 pcs
D		Ø30mm	Sticker	25 pcs
E		Ø6x12mm	Bolt	8 pcs
F		Ø6x50mm	Shoulder Screw	6 pcs
G		M 4	Hex Key	1 pcs
H		Ø8x5x16mm	Shelf support pin	12 pcs
J		Ø4x12mm	Screw	8 pcs
K			Door Guide	4 pcs
L			Pulley	4 pcs
M			Handle	2 pcs
N		Ø4x22mm	Handle Bolt	4 pcs
P		Ø3x17mm	Screw	14 pcs
Q			Plastic wedge	14 pcs
R			Glue tube	1 pcs



Philips head screwdriver required for assembly
(not included)

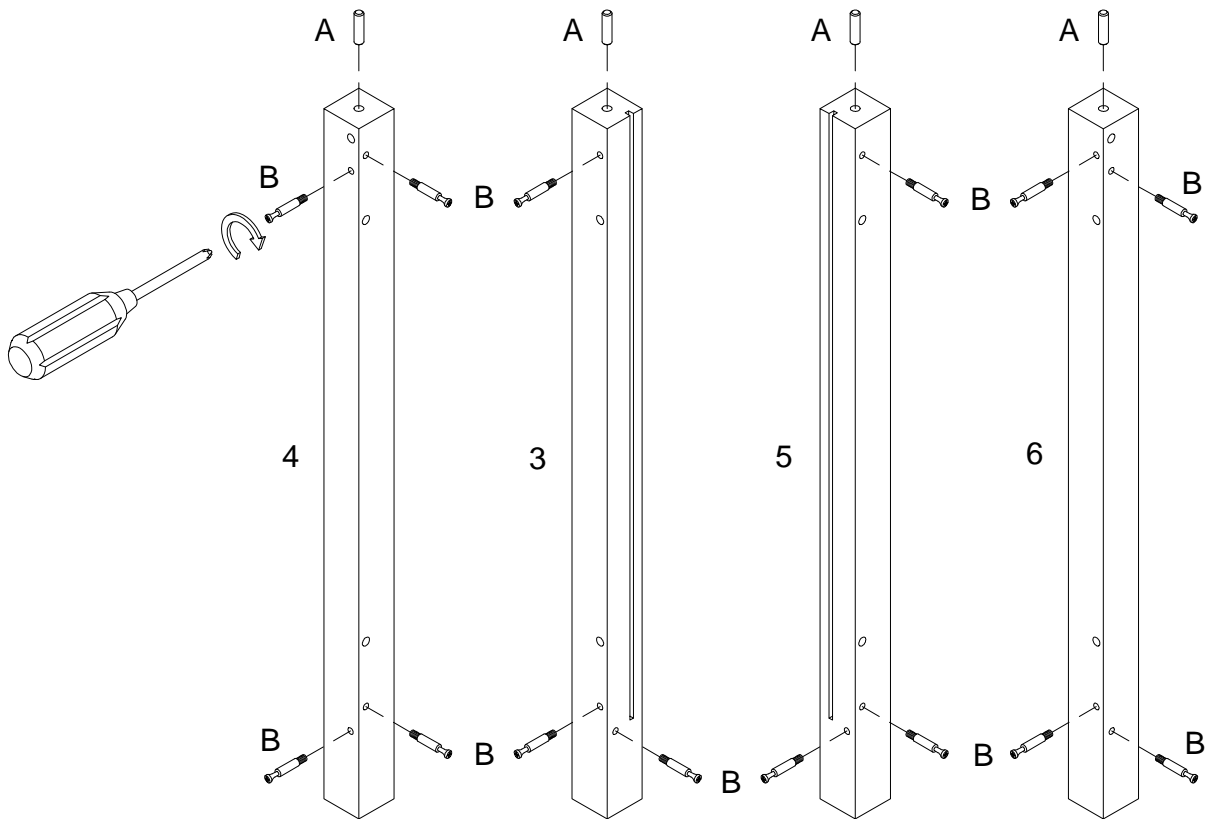
*The hardware quantities listed above are required for proper assembly.
Some extra hardware may also have been included.*

Step 1



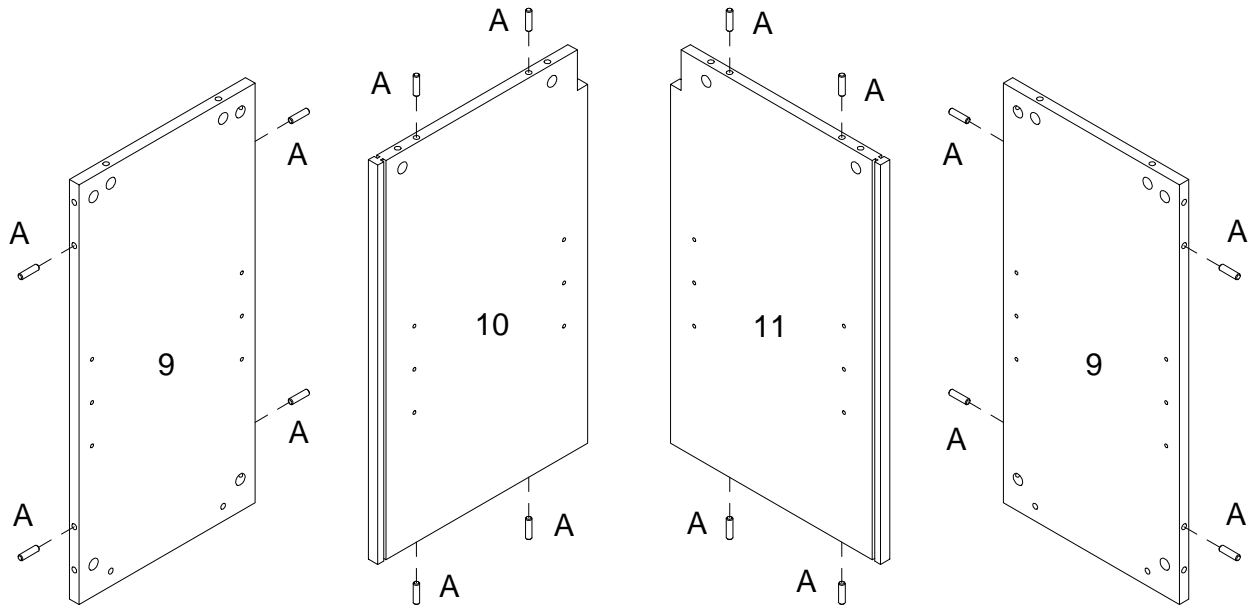
Attach cam bolt (B) to part (1) with screwdriver. Insert wooden dowel (A) into part (2).

Step 2



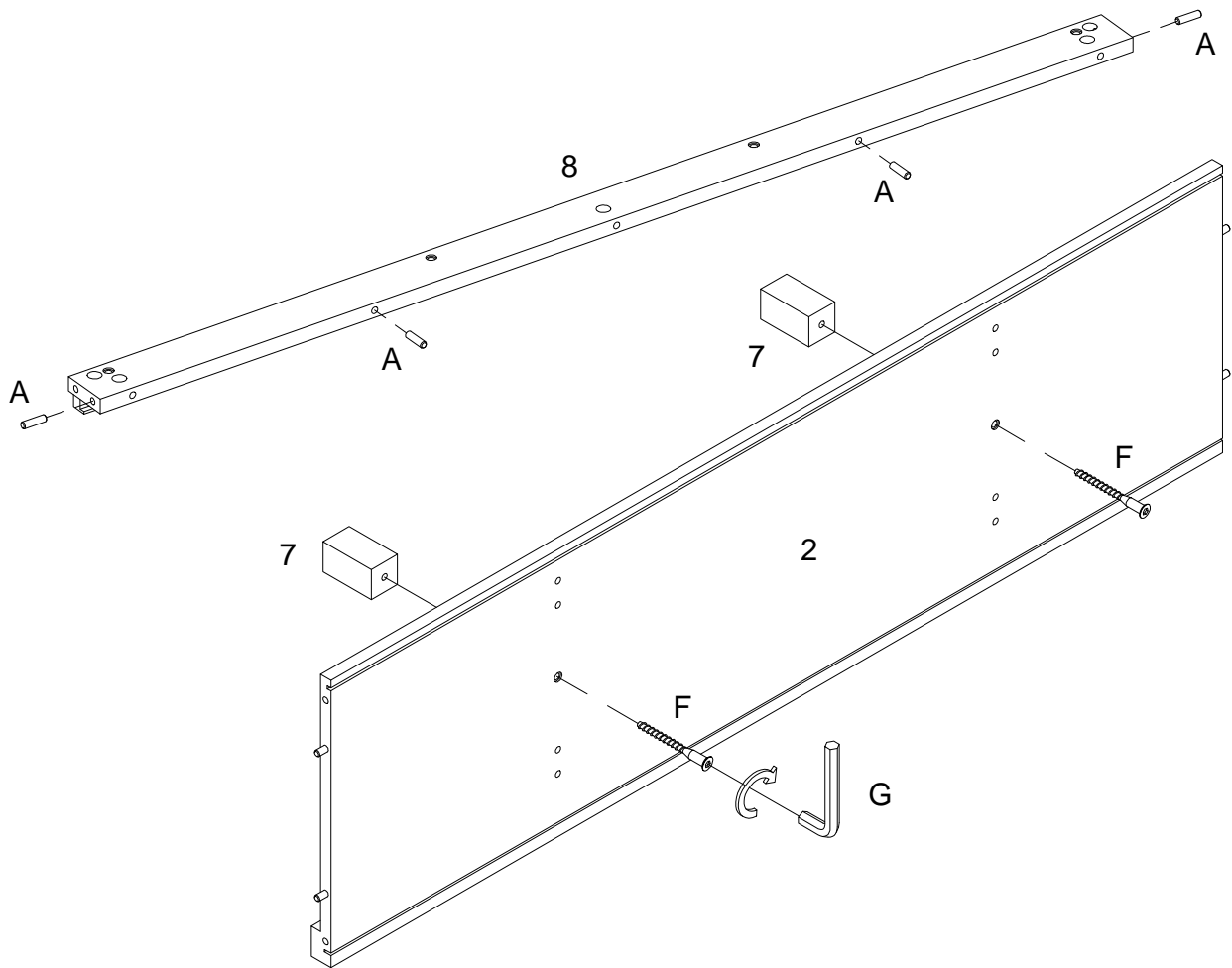
Insert wooden dowel (A) into part (4, 3, 5, 6). Insert Cam bolt (B) into part(4,3,5,6)by using screwdriver

Step 3



Insert wooden dowel (A) into part (9, 10, 11).

Step 4

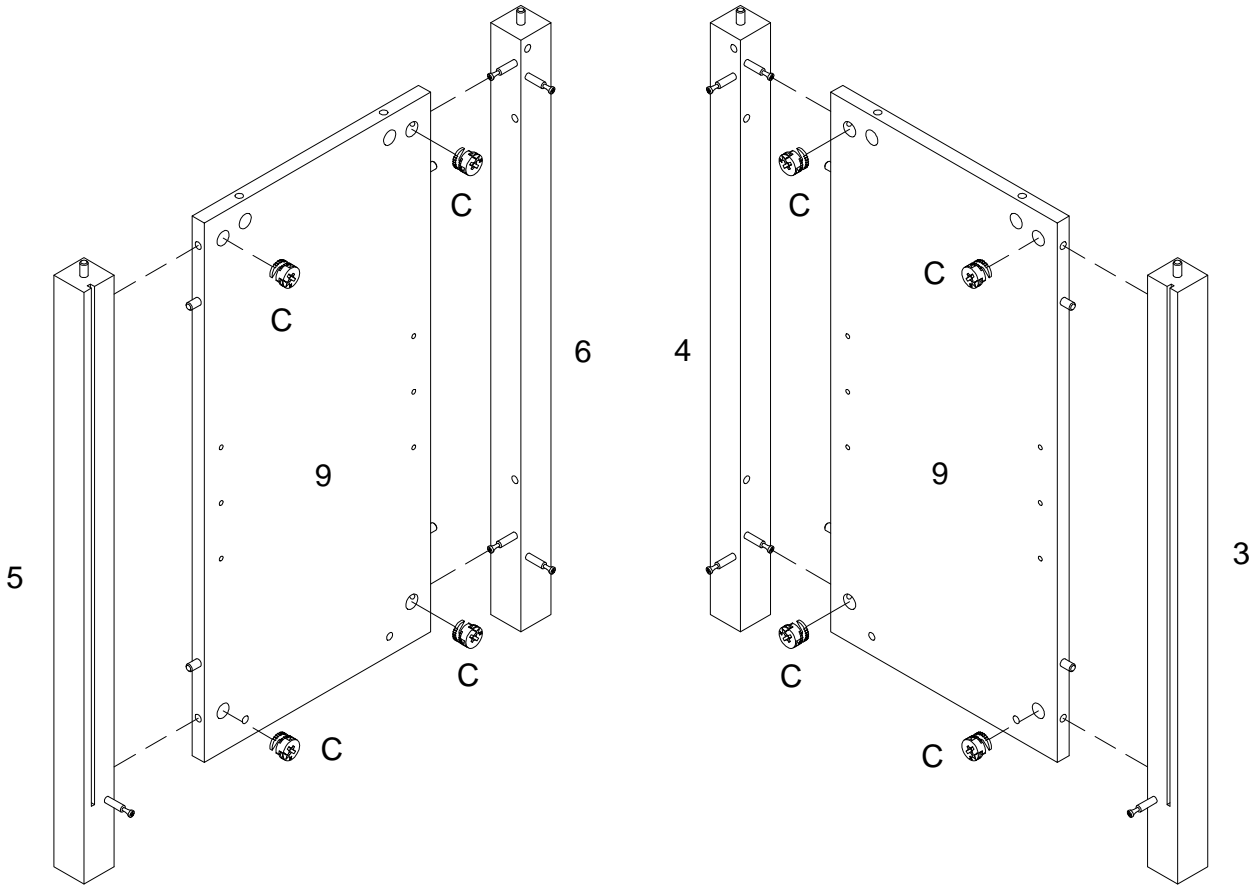
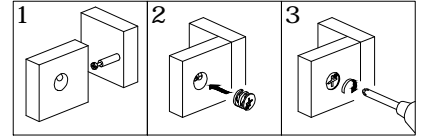


Insert wooden dowel (A) into part (8)

Attach part (7) to part (2) using Shoulder Screw (F)

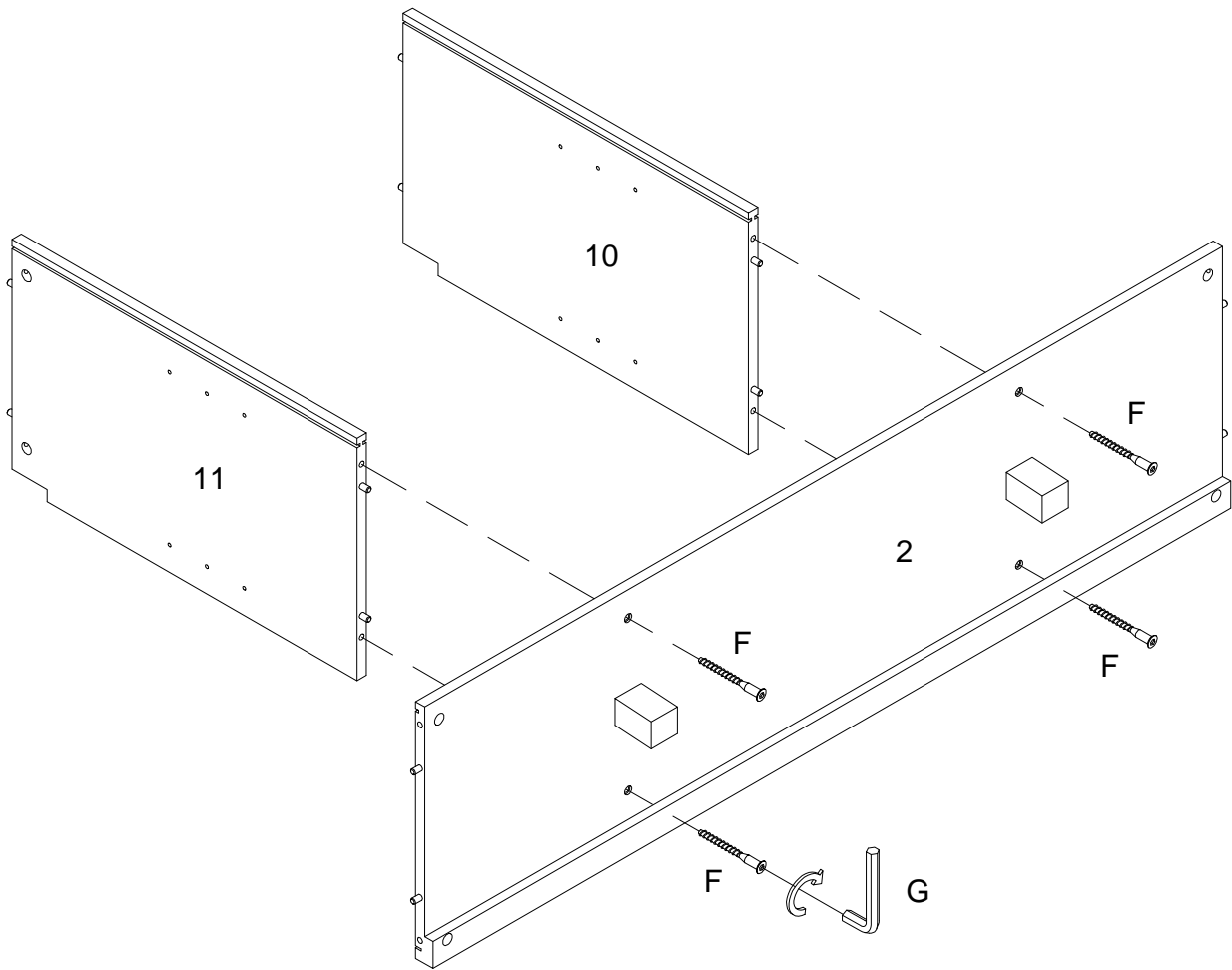
with hex key (G).

Step 5



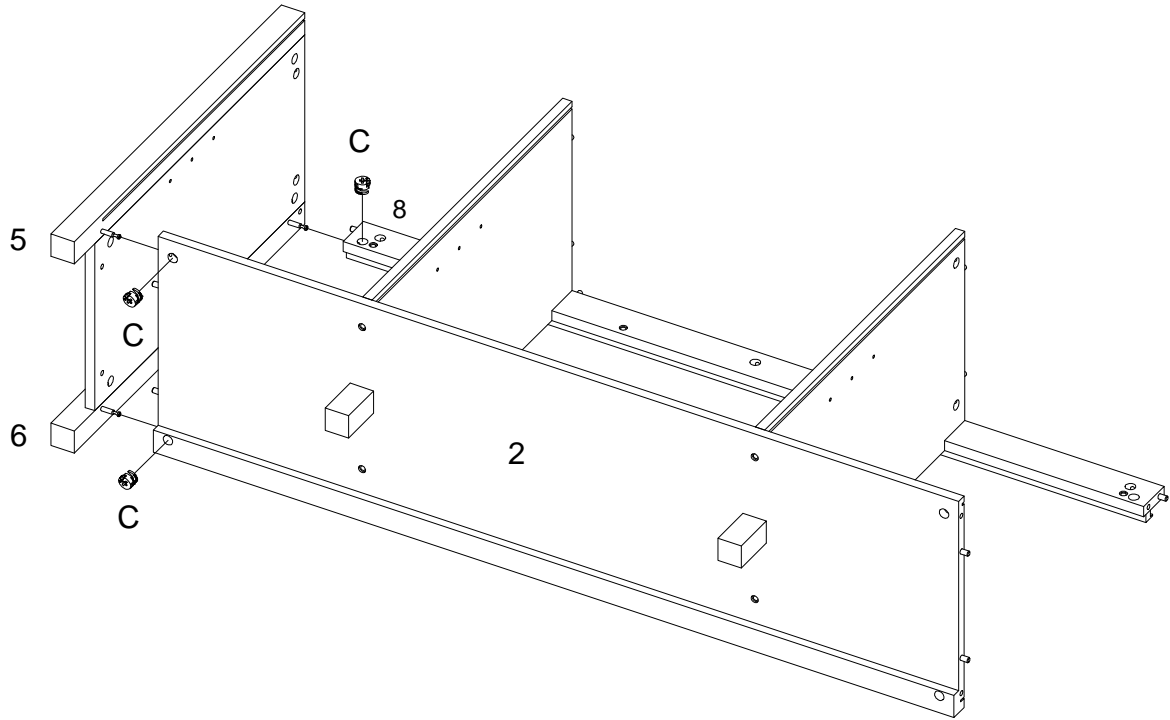
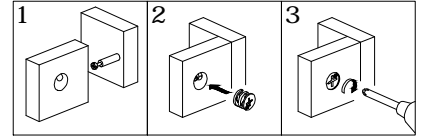
Attach part (9) to part (5,6,4,3), then insert and secure cam lock (C) to part (9) to lock it.

Step 6



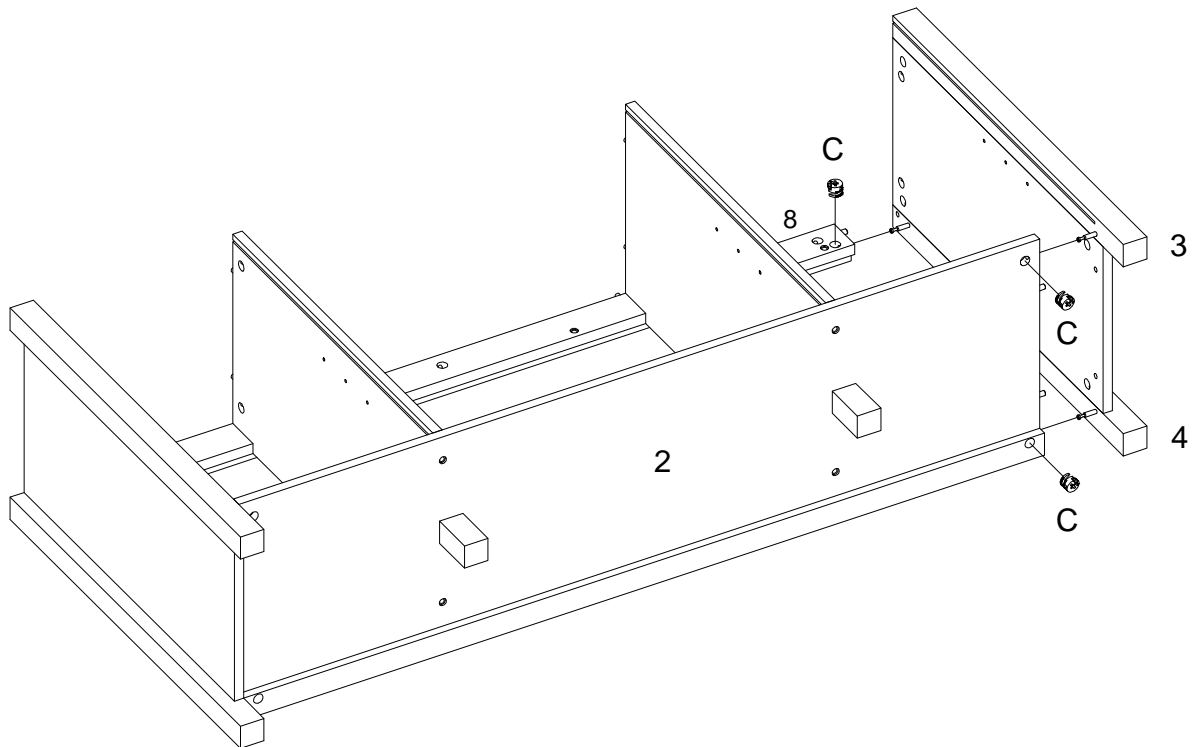
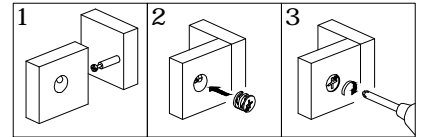
Attach part (10,11) to part (2) using Shoulder Screw (F) with hex key (G). Long grooves on parts (10,11,2) should be aligned.

Step 7



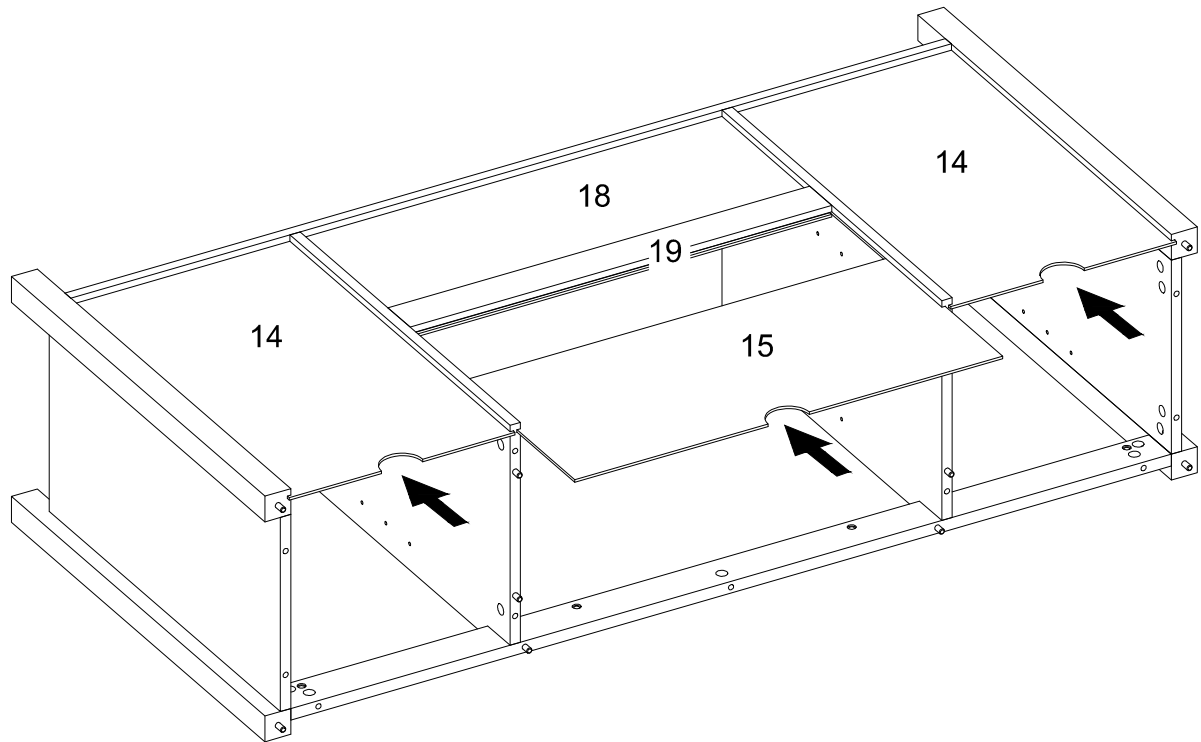
Attach part (5,6) to part (2,8) using cam lock (C) to secure it.

Step 8



Attach part (3,4) to part (2,8) using cam lock (C) to secure it.

Step 9

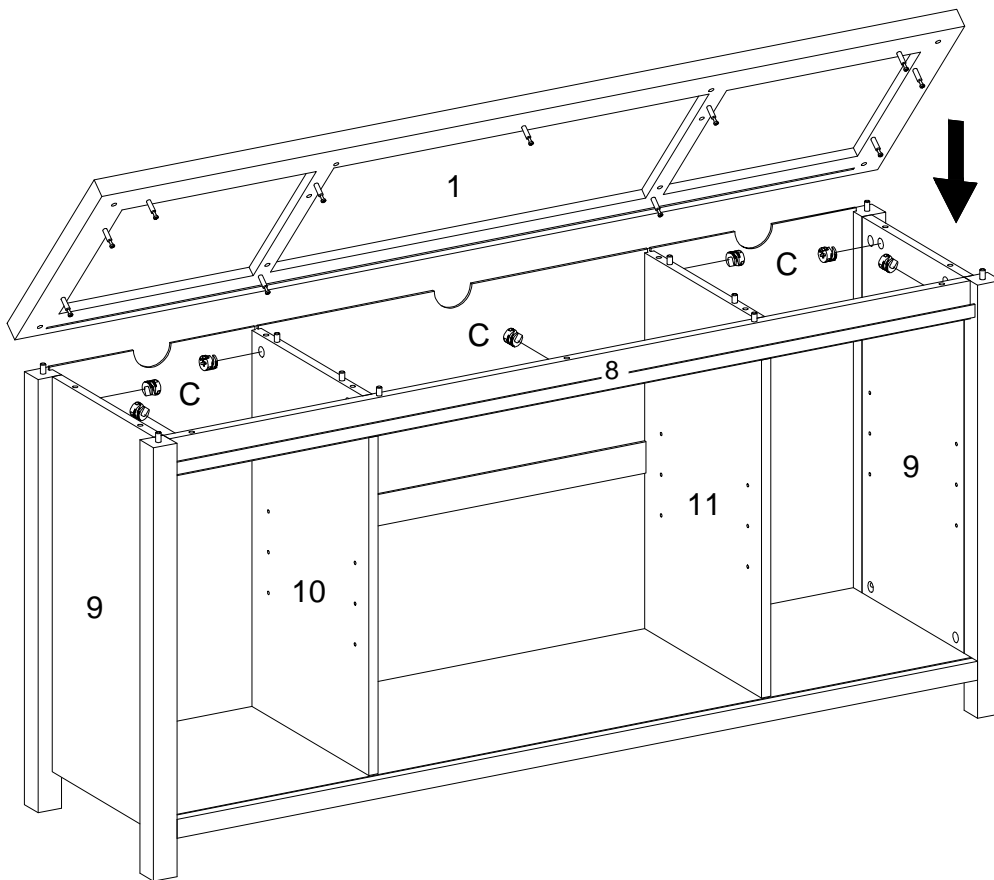
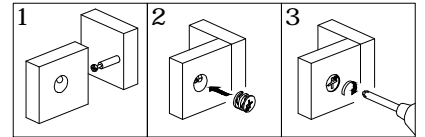


Slide panel (18,14) into grooves as per diagram

Attach part (19) to part (18)

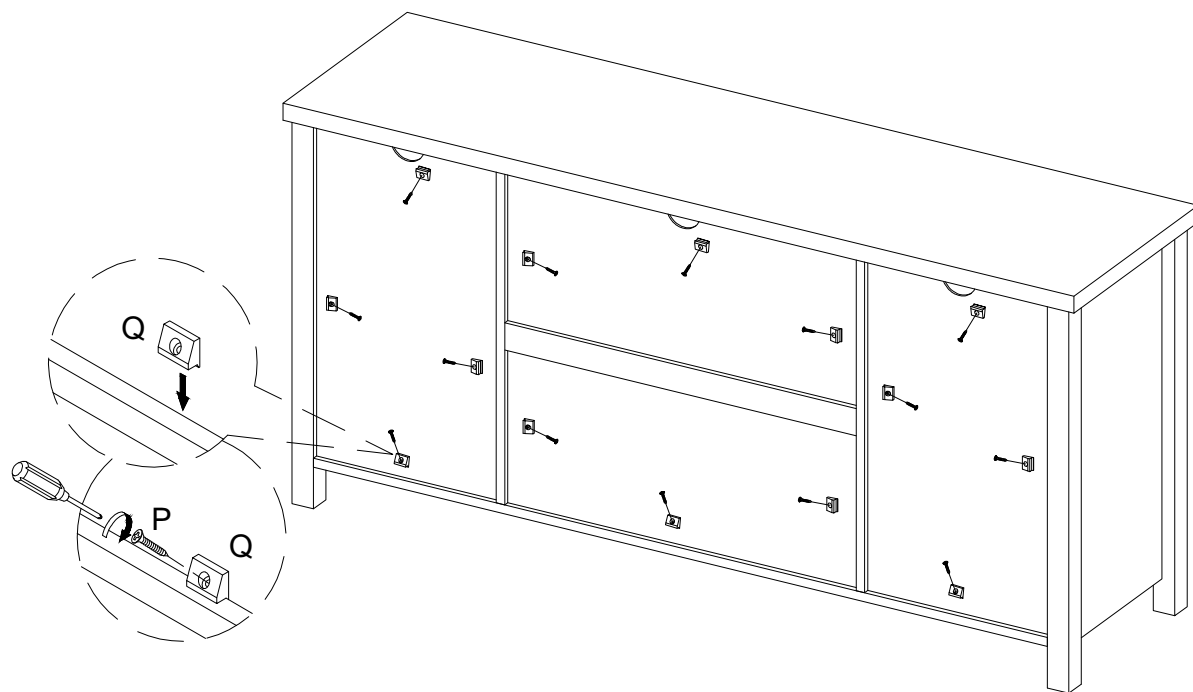
Attach part (15) to part (19)

Step 10



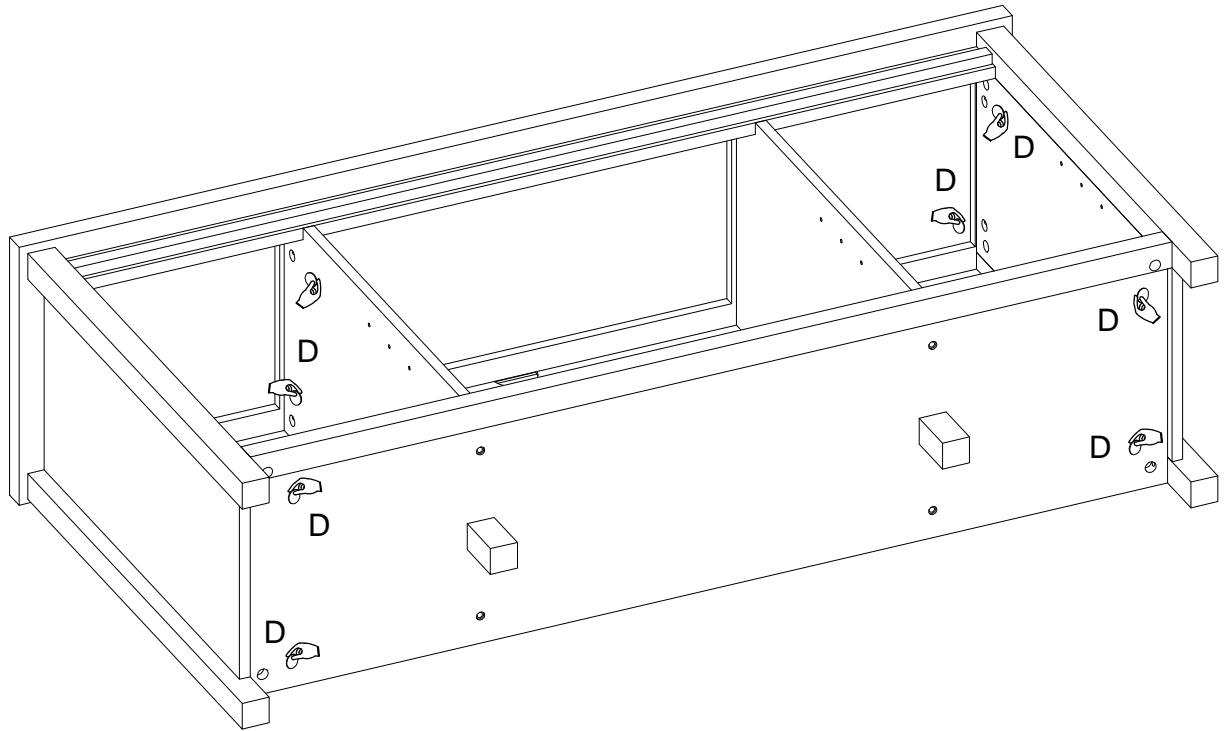
Attach part (1) to part (9,10,11), then insert and secure cam lock (C) to part (9,10,11) to lock it.

Step 11



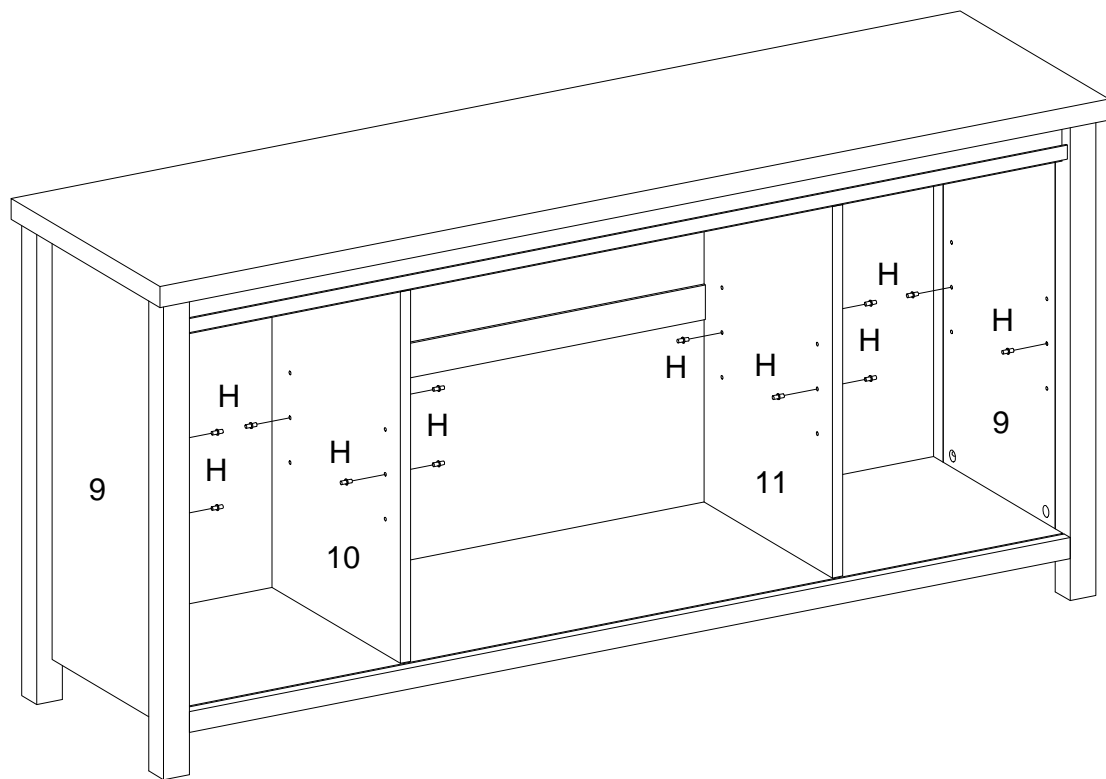
Attach plastic wedge (Q) per diagram using screw (P) with screwdriver.

Step 12



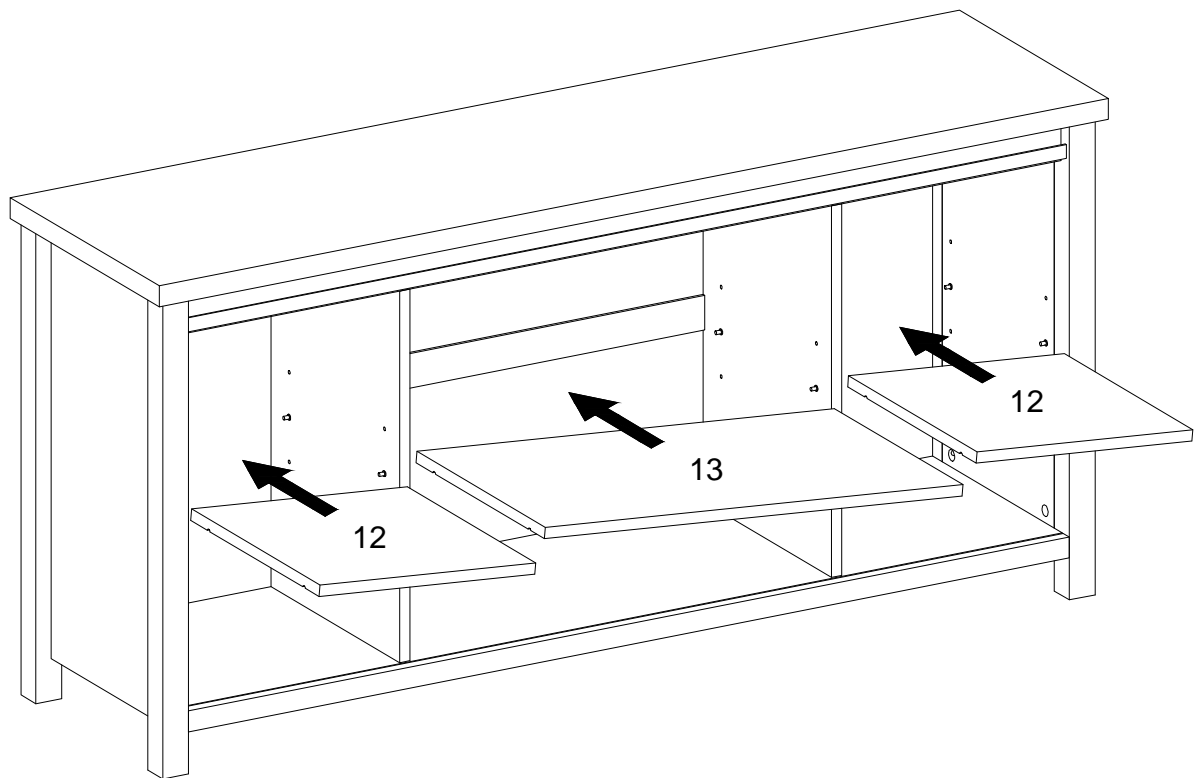
Attach sticker (D) as per diagram

Step 13



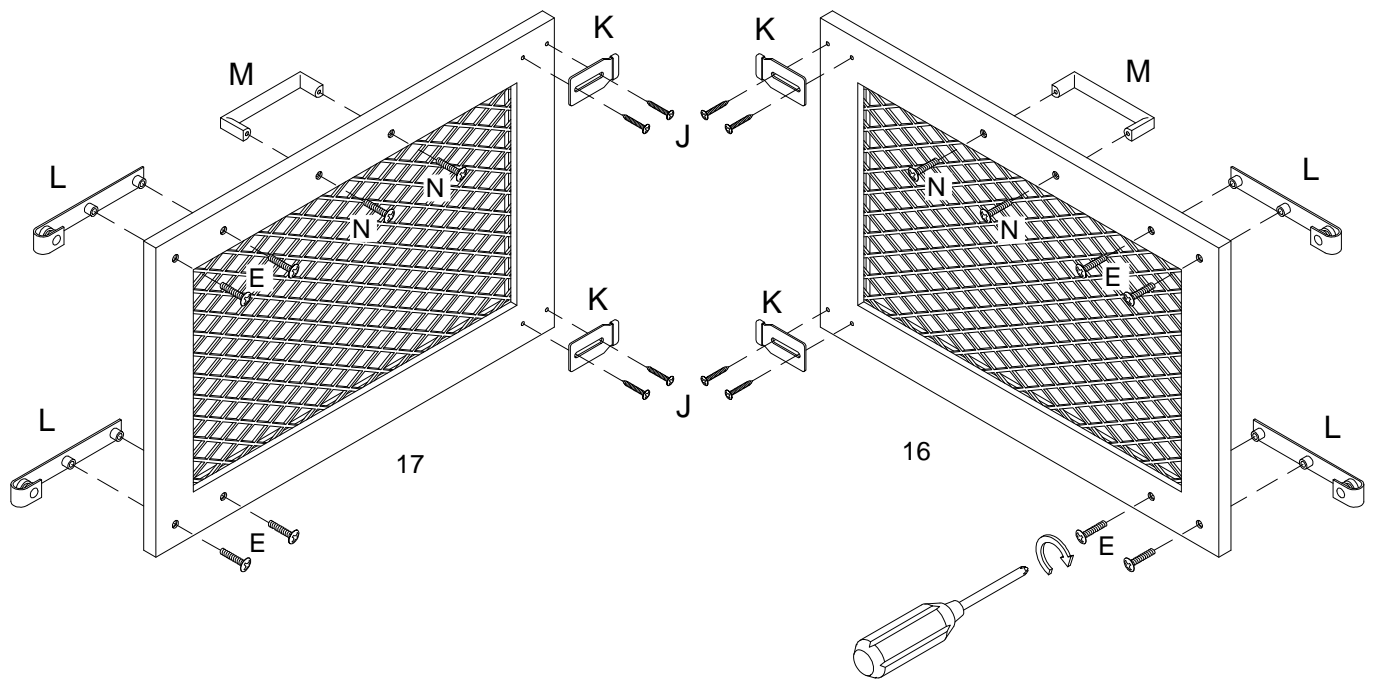
Insert shelf support pin (H) into part (9,10,11).

Step 14



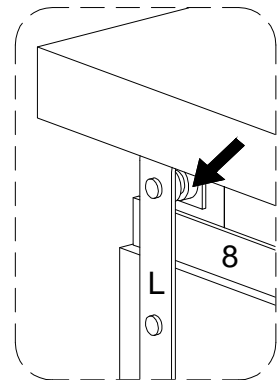
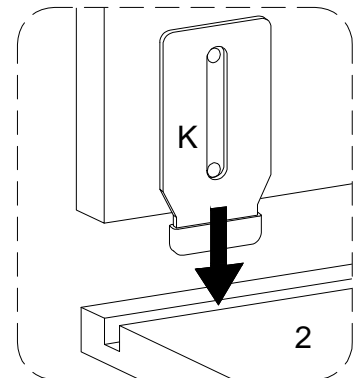
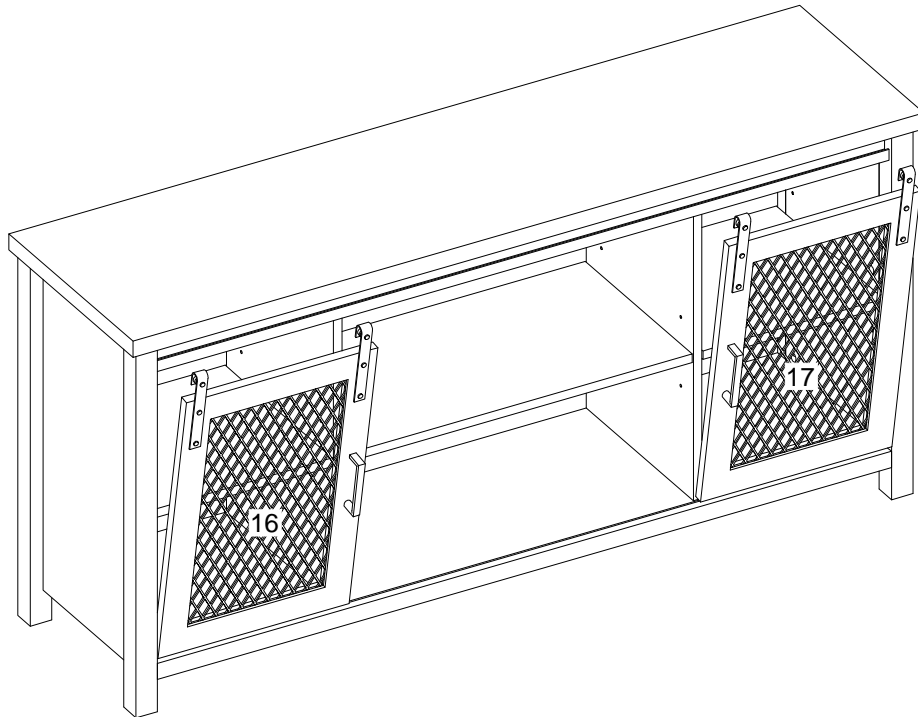
Place shelf (12,13) on top of support pin.

Step 15



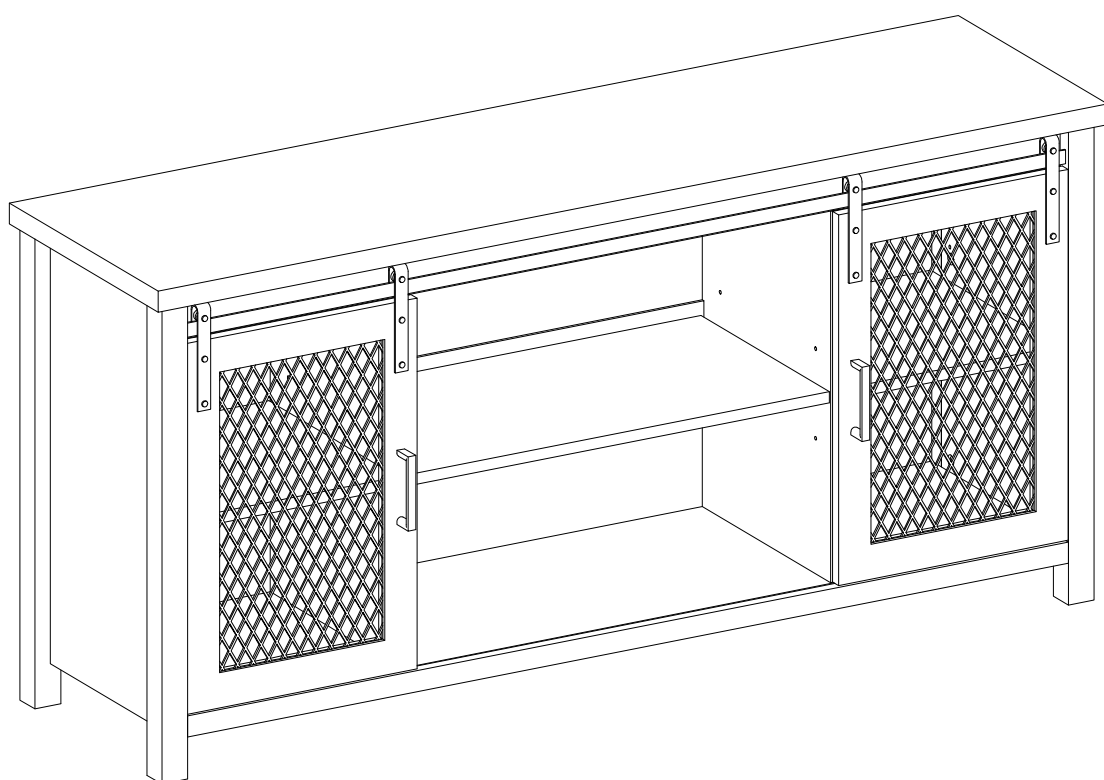
Attach handle (M) to part (16,17) with bolt (N). Attach pulley (L) with bolt (E). attach door guide (K) with screw (J).

Step 16



Place door guide (K) on door into the groove on part (2). Then hang pulley (L) on part (8). Door should fit securely and glide smoothly.

Step 17



Final Assembly