



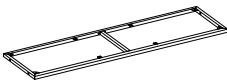

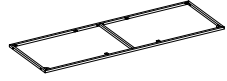
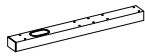

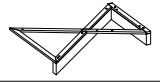




Assembly Instructions

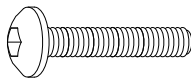
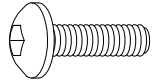
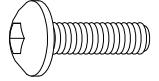
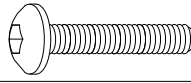
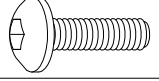

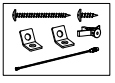

WHLM #RTGAVC60-22M-C 60" TV STAND WHITE

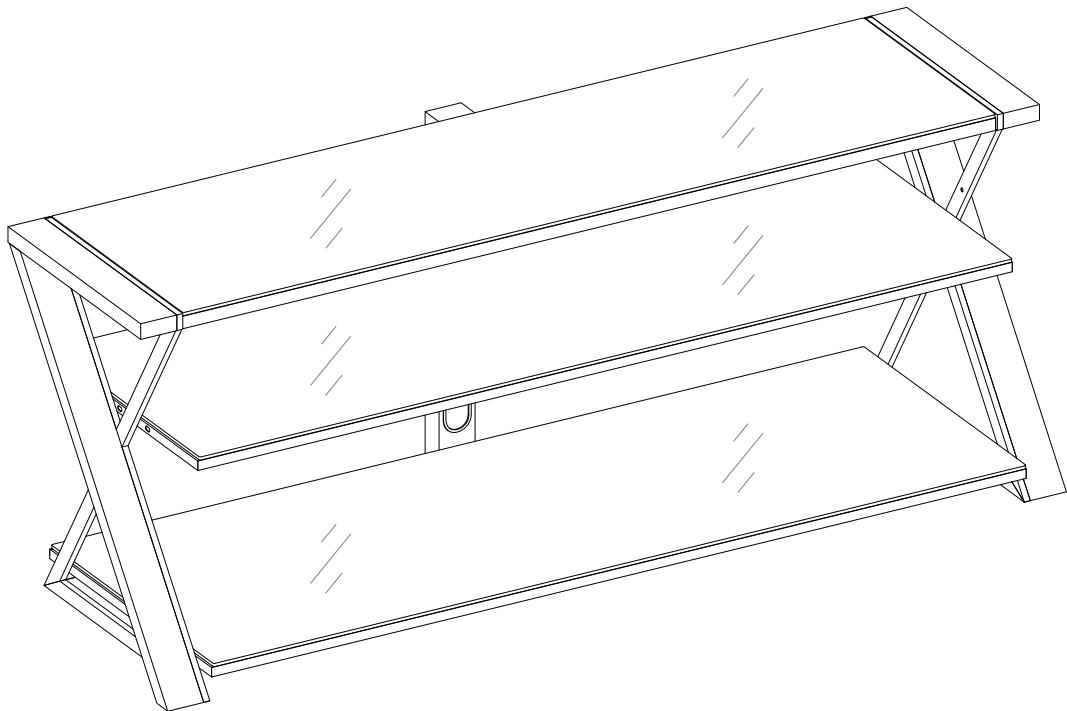
SKU# 24060220

WHLM #RTGAVC60-22W-C 60" TV STAND CAPPUCINO

SKU# 24060321

| CODE | PARTS | | Q'TY |
|------|---|--------------------|------|
| A |  | TOP SHELF FRAME | 1 |
| B |  | MIDDLE SHELF FRAME | 1 |
| C |  | BOTTOM FRAME | 1 |
| D |  | SPINE | 1 |
| E |  | LEFT SIDE FRAME | 1 |
| F |  | RIGHT SIDE FRAME | 1 |
| G |  | TOP GLASS SHELF | 1 |
| H |  | MIDDLE GLASS SHELF | 1 |
| I |  | BOTTOM GLASS SHELF | 1 |
| J |  | CABLE WHEELS | 2 |

| STEP | CODE | HARDWARE | | Q'TY |
|------|------|---|--------------------------------|------|
| 1 | 1-1 |  | BOLT (1/4" x 20 x 1 1/8") | 2 |
| 2 | 2-1 |  | BOLT (1/4" x 20 x 7/8") | 4 |
| 3 | 3-1 |  | BOLT (1/4" x 20 x 7/8") | 6 |
| 4 | 4-1 |  | BOLT (1/4" x 20 x 1 1/8") | 4 |
| 5 | 5-1 |  | BOLT (1/4" x 20 x 7/8") | 4 |
| 6 | 6-1 |  | SUCTION CUP | 24 |
| 7 | 7-1 |  | TIPPING RESTRAINT HARDWARE KIT | 1 |
| | |  | 4 MM HEX WRENCH | 1 |



Hardware Pack Location(s):

The middle of the metal frames.

#RTGAVC60-22M-C 60" TV STAND WHITE SKU# 24060220

#RTGAVC60-22W-C 60" TV STAND CAPPUCINO SKU# 24060321



Assembly Instructions

WHLM #RTGAVC60-22M-C 60" TV STAND WHITE

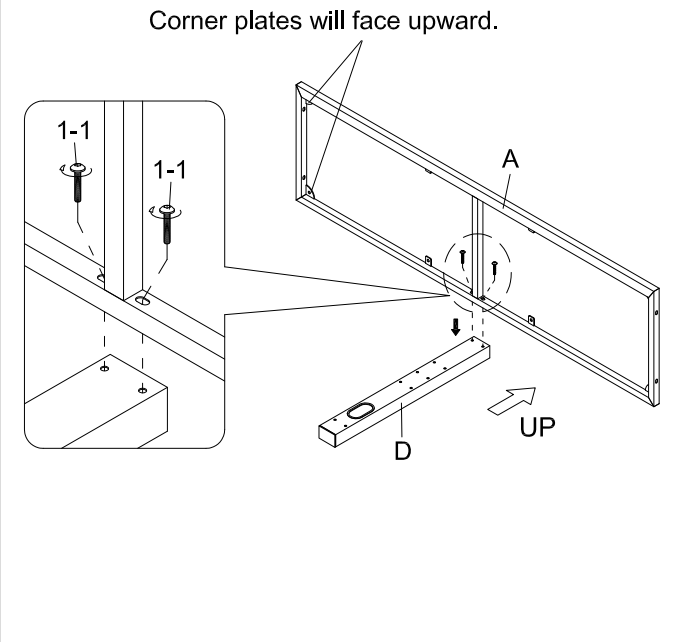
SKU# 24060220

WHLM #RTGAVC60-22W-C 60" TV STAND CAPPUCCINO

SKU# 24060321

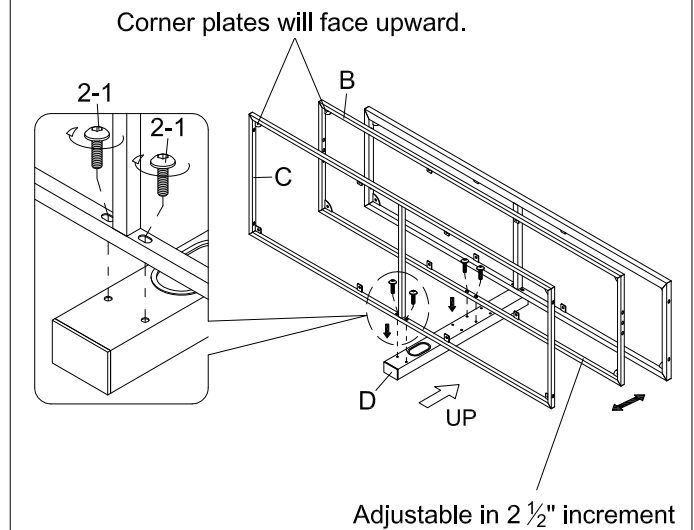
***Caution: Please read all instructions carefully before starting the assembly process. These parts are cumbersome and heavy. Therefore, two people are recommended in order to prevent personal injury and insure the parts are not damaged during the assembly.

STEP 1:



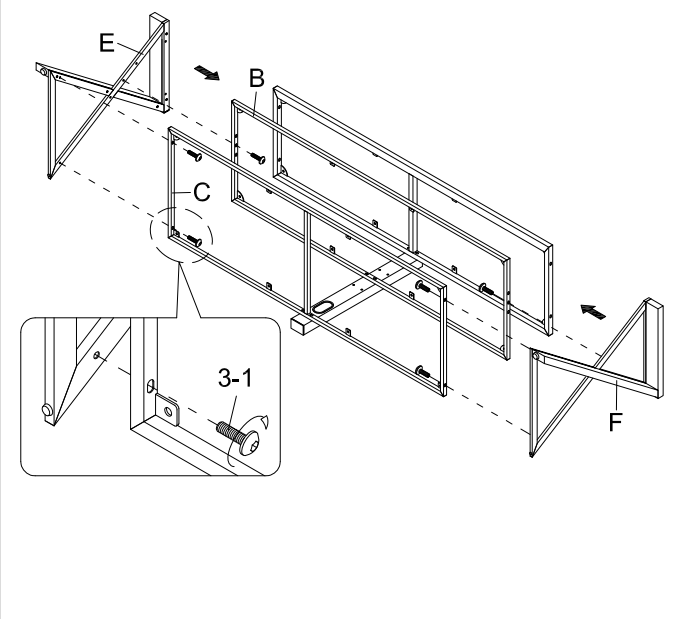
Attach top shelf frame (A) to the spine (D) .
Note: Do not over tighten the bolts.

STEP 2:



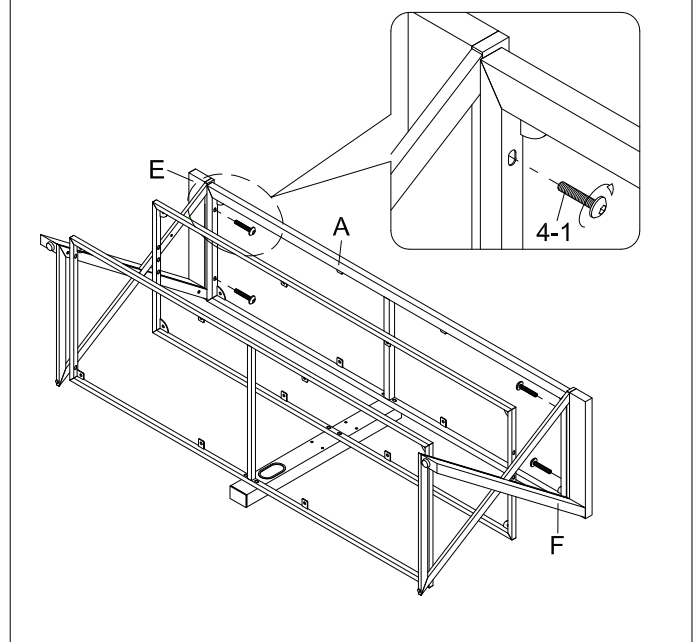
Attach middle and bottom shelf frame (B and C) to the spine (D) .
Note: Do not over tighten the bolts.

STEP 3:



Attach two side frames (E and F) to the middle and bottom shelf frames (B and C).
Note: Do not over tighten the bolts.

STEP 4:



Attach two side frames (E and F) to the top frame (A) .
Note: Do not over tighten the bolts.



Assembly Instructions

WHLM #RTGAVC60-22M-C 60" TV STAND WHITE

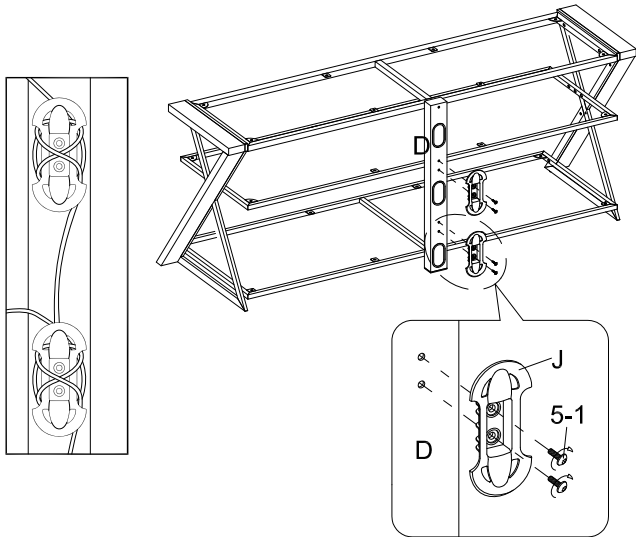
SKU# 24060220

WHLM #RTGAVC60-22W-C 60" TV STAND CAPPUCCINO

SKU# 24060321

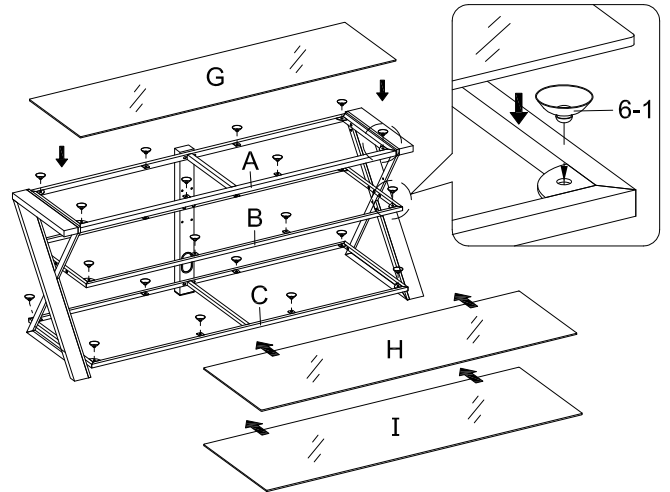
***Caution: Please read all instructions carefully before starting the assembly process. These parts are cumbersome and heavy. Therefore, two people are recommended in order to prevent personal injury and insure the parts are not damaged during the assembly.

STEP 5:



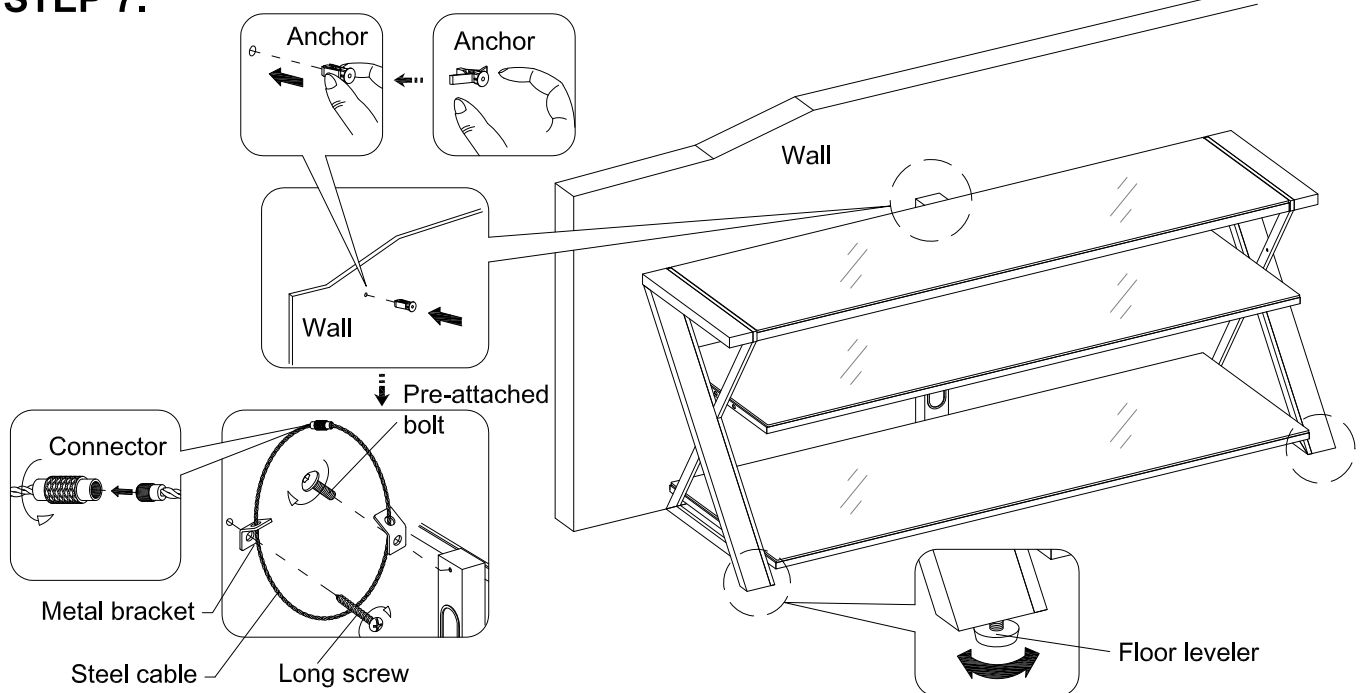
Stand the assembled unit upright.
Attach two cable wheels (J) to the spine (D).
Note: Do not over tighten the bolts.

STEP 6:



Put the suction cups onto the shelf frames (A, B and C).
Place the glass shelves (G, H and I) onto the shelf frames properly.

STEP 7:



Secure the unit to the wall with the provided tipping restraint hardware kit.

CARING FOR YOUR FURNITURE

Protect your investment

The beauty of furniture care is that it helps to protect your investment, as fine furniture is an important purchase.

Proper care will help maintain your furniture's finish and ensure that it looks great year after year.

Caring for furniture

Caring for furniture is easy. Following a few simple guidelines will help extend the life of your furniture.

- Always dust with a cloth moistened with polish. Polish cushions the cloth, eliminating the scratching that occurs with dry dusting. Dust will scratch furniture if not removed quickly. Use a soft clean cloth that won't scratch the surface. Avoid coarse or scratchy materials or fabrics.
- Avoid using soap and water on furniture. Water can penetrate the finish and raise the grain on wood. Causing damage.

The Enemies of Furniture

Many common problems in furniture care are caused by the elements. If you are aware of these troublemakers, the resulting damage can easily be avoided.

- Sunlight's ultraviolet rays can damage wood finishes. Arrange furniture out of direct sunlight use sun screening drapes during intense sunlight hours, rotate furniture in place and room arrangement.
- Liquid spills will damage furniture if not removed promptly. Use coasters under beverage glasses and saucers under cups and flowerpots. If a spill occurs, immediately blot it gently without rubbing the surface.
- Heat creates a chemical change in the furniture finish, which can result in a white spot. Use protective mats under hot dishes, utensils or cooking appliances.
- Cyclic changes in temperature can damage furniture. Placing furniture near to central heating radiators and air ducts should be avoided because this causes extreme localized drying of the wood.

Tips for Better Dusting

- Be sure to use the same type of polish consistently. Your furniture will appear cloudy or streaky if oil based or wax based polishes are interchange.
- Always use a fine furniture polish when dusting. Never dry dust, as it could cause microscopic scratches on your furniture's surface. Remember to change dusting cloths frequently since a dirty cloth may scratch your furniture's surface.
- Spray your furniture surface evenly, but not too generously. Wipe in a circular motion with a soft clean cloth to clean and loosen old polish.
- Then buff until completely dry for a beautiful shine and a smudge free finish. For wood trim spray polish on the cloth first, then dust.