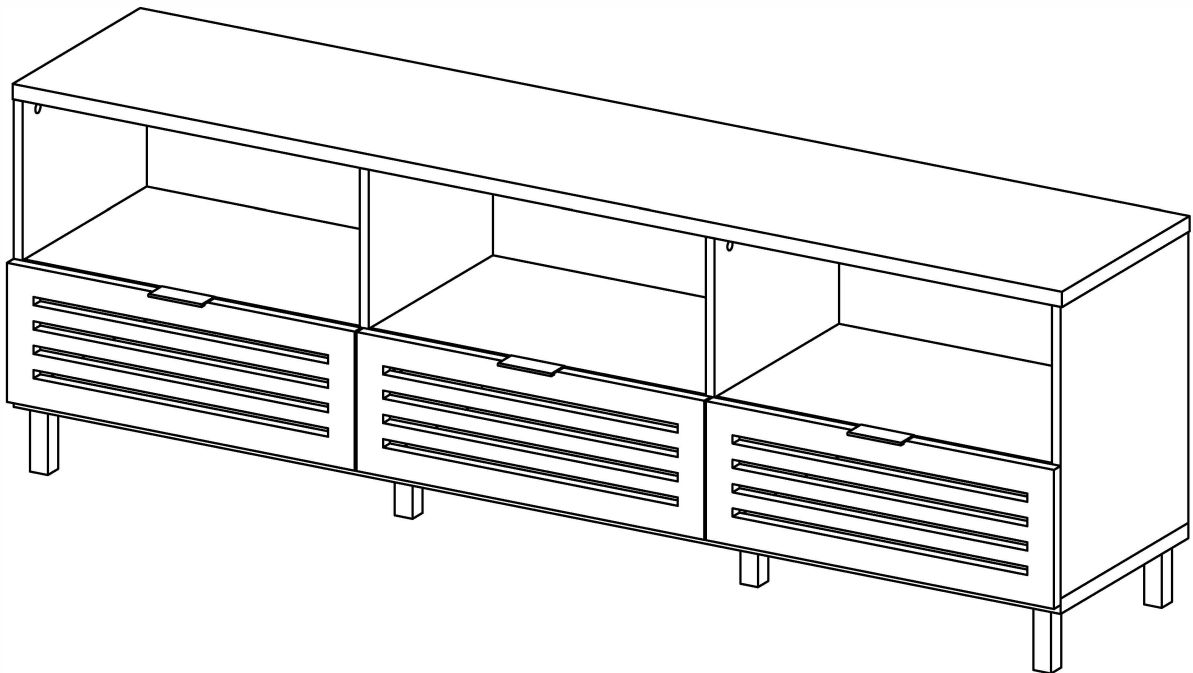


Item # : W70JACSD  
Assembly Instructions

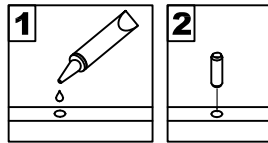


*Please visit our website for the most current instructions, assembly tips, report damage, or request parts. [www.walkeredison.com](http://www.walkeredison.com)*

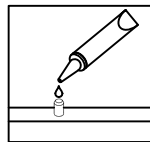
Revised 07/09/2018

# General Assembly Guidelines

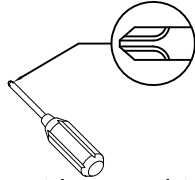
- I. Ensure that all parts and hardware are available before beginning assembly.
- II. Follow each step carefully to ensure the proper assembly of this product.
- III. Two people are recommended for ease in the assembly of this product.
- IV. The three main types of hardware used to assemble this product are: wood dowels, screws and bolts.
- V. The provided glue is to secure wood dowels in place. When first inserting dowels, locate the appropriate hole for the dowel, place a small amount of glue in the hole and insert the dowel. Wipe away excess glue immediately.



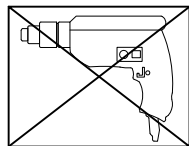
In future assembly steps when dowels are necessary to attach assembly parts together, place a small amount of glue on the end of the dowel before attaching parts together. Wipe away excess glue immediately.



- VI. A Phillips head screwdriver is required for the assembly of this product.

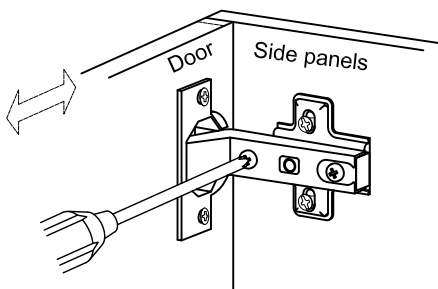


- VII. Power tools should not be used to assemble this product.

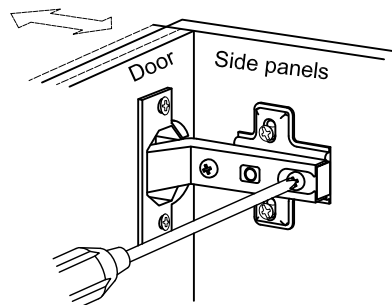


- VIII. Drill may be needed for securing product to wall.

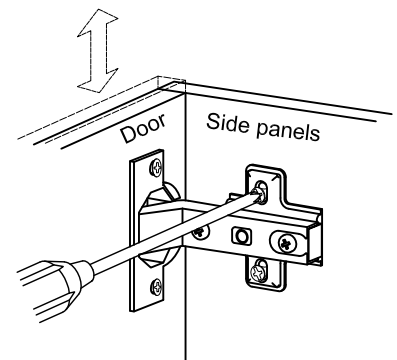
- IX. Concealed hinges are three-way adjustable.



Horizontal  
by screw adjustment

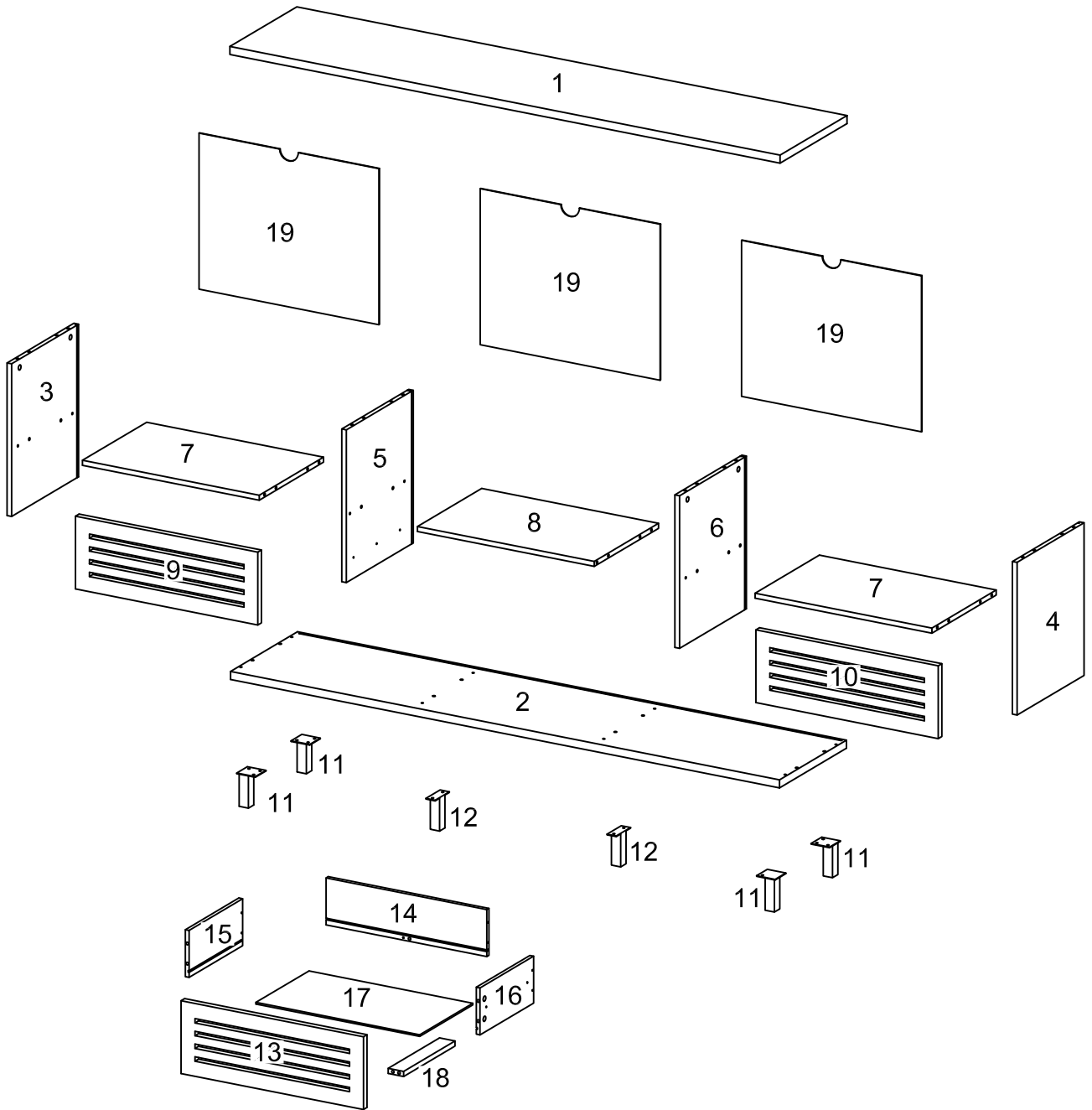


In-and-Out  
by loosening the hinge-arm  
mounting screw or via cam  
adjustment





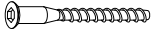
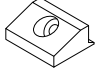
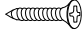
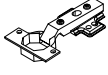
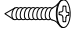
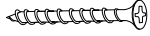



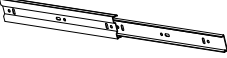
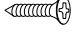
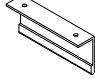
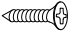



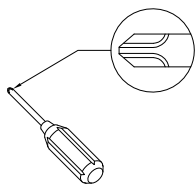
Vertical  
Via slots in the mounting  
plate or via cam adjustment

# Parts List



# Hardware List

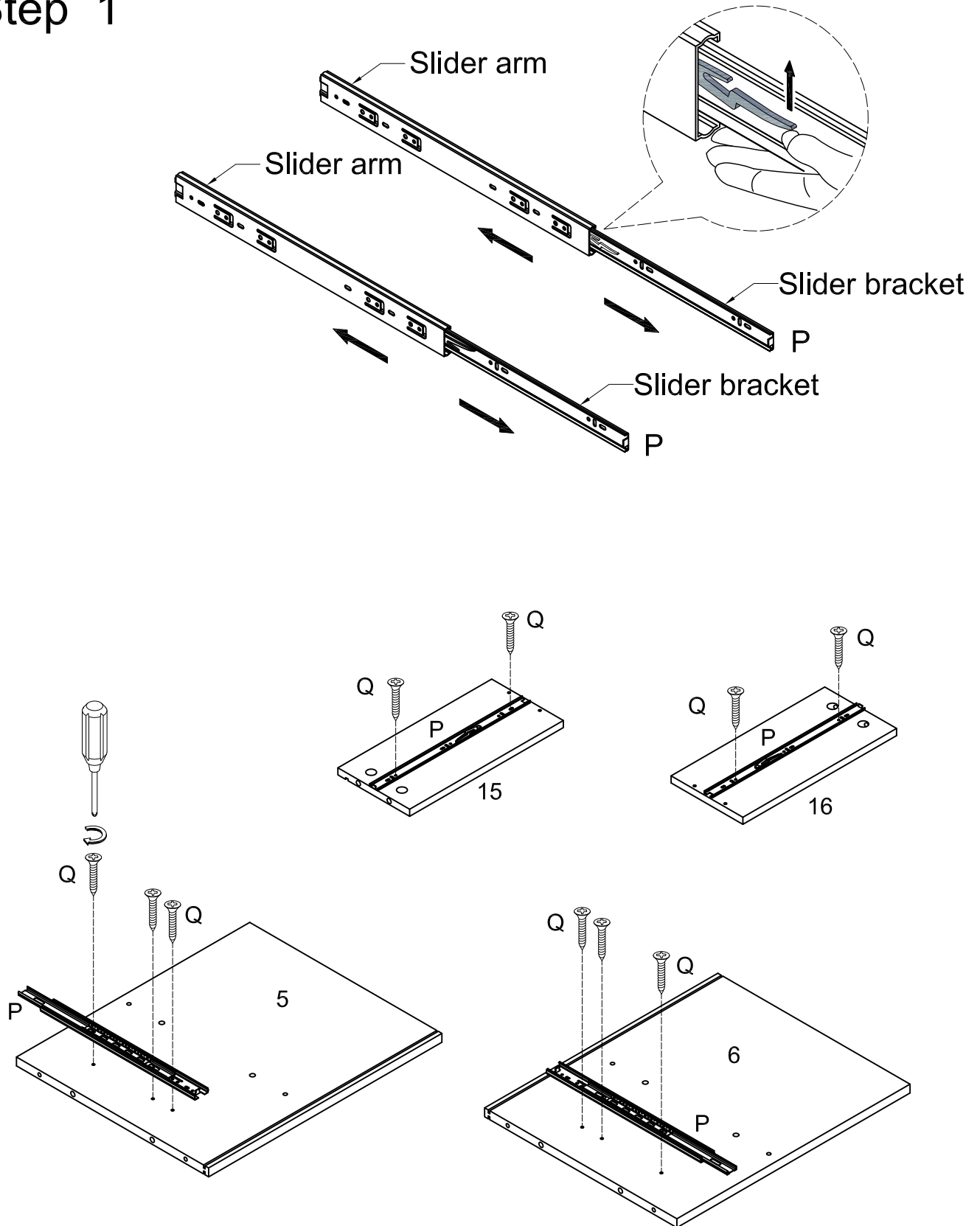
A		Ø8x30mm	Wooden dowel	30 pcs
B		Ø6x35mm	Cam bolt	25 pcs
C		Ø15x11mm	Cam lock	21 pcs
D		Ø15x9mm	Cam lock	4 pcs
E		Ø6x50mm	Bolt	8 pcs
F			Plastic wedge	12 pcs
G		Ø3x17mm	Screw	12 pcs
H			Hinge	4 pcs
J		Ø3.5x14mm	Screw	24 pcs
K		Ø4x32mm	Bolt	5 pcs
L		Ø30mm	Sticker	25 pcs
M		Ø6x12mm	Bolt	16 pcs
N		M4	Hex key	1 pc
P			Drawer slider	1 set
Q		Ø3x12mm	Screw	10 pcs
R			Handle	3 pcs
S			Screw	6 pcs
T			Glue tube	1 pc



Philips head screwdriver required for assembly  
(not included)

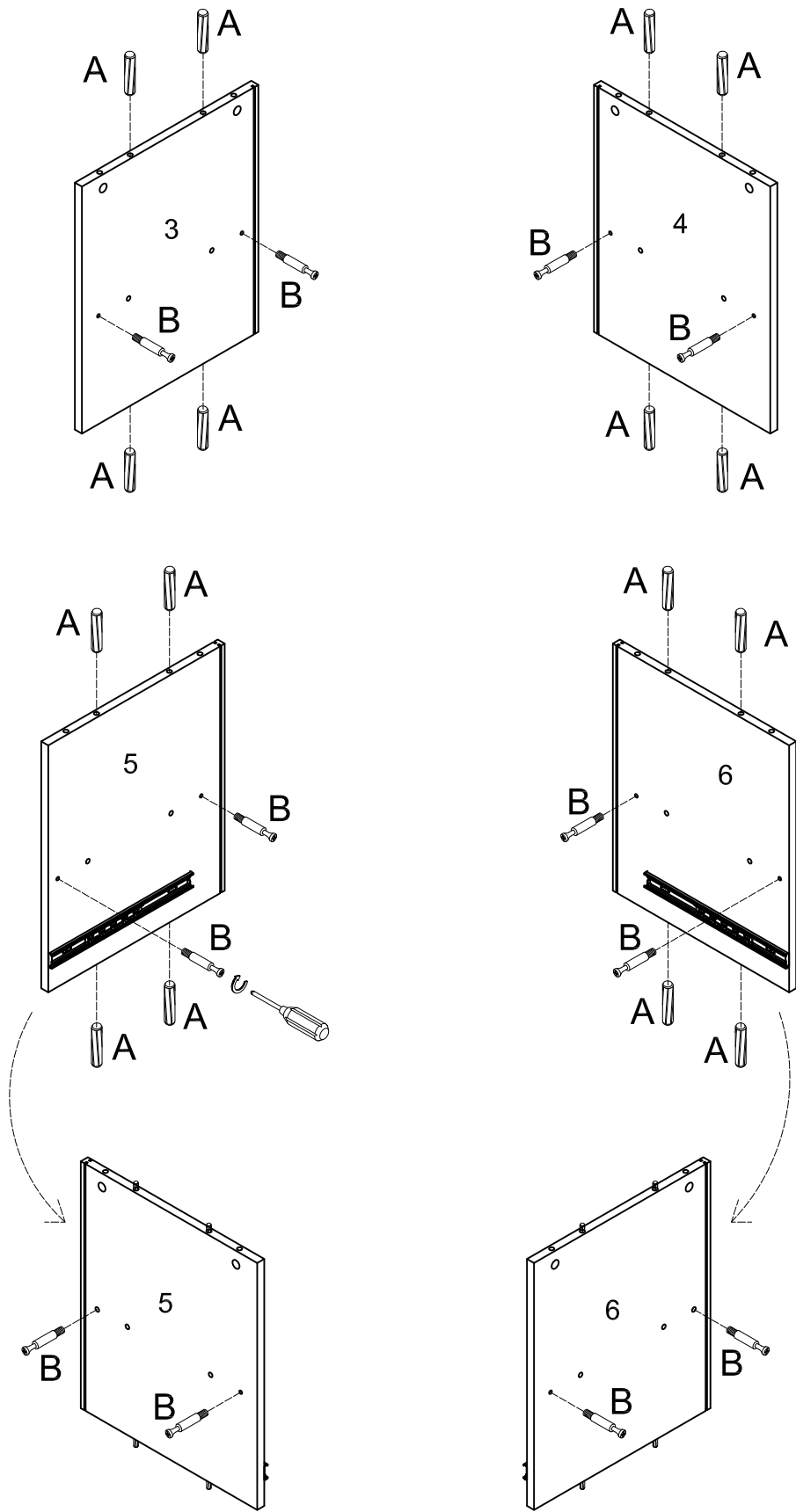
*The hardware quantities listed above are required for proper assembly.  
Some extra hardware may also have been included.*

# Step 1



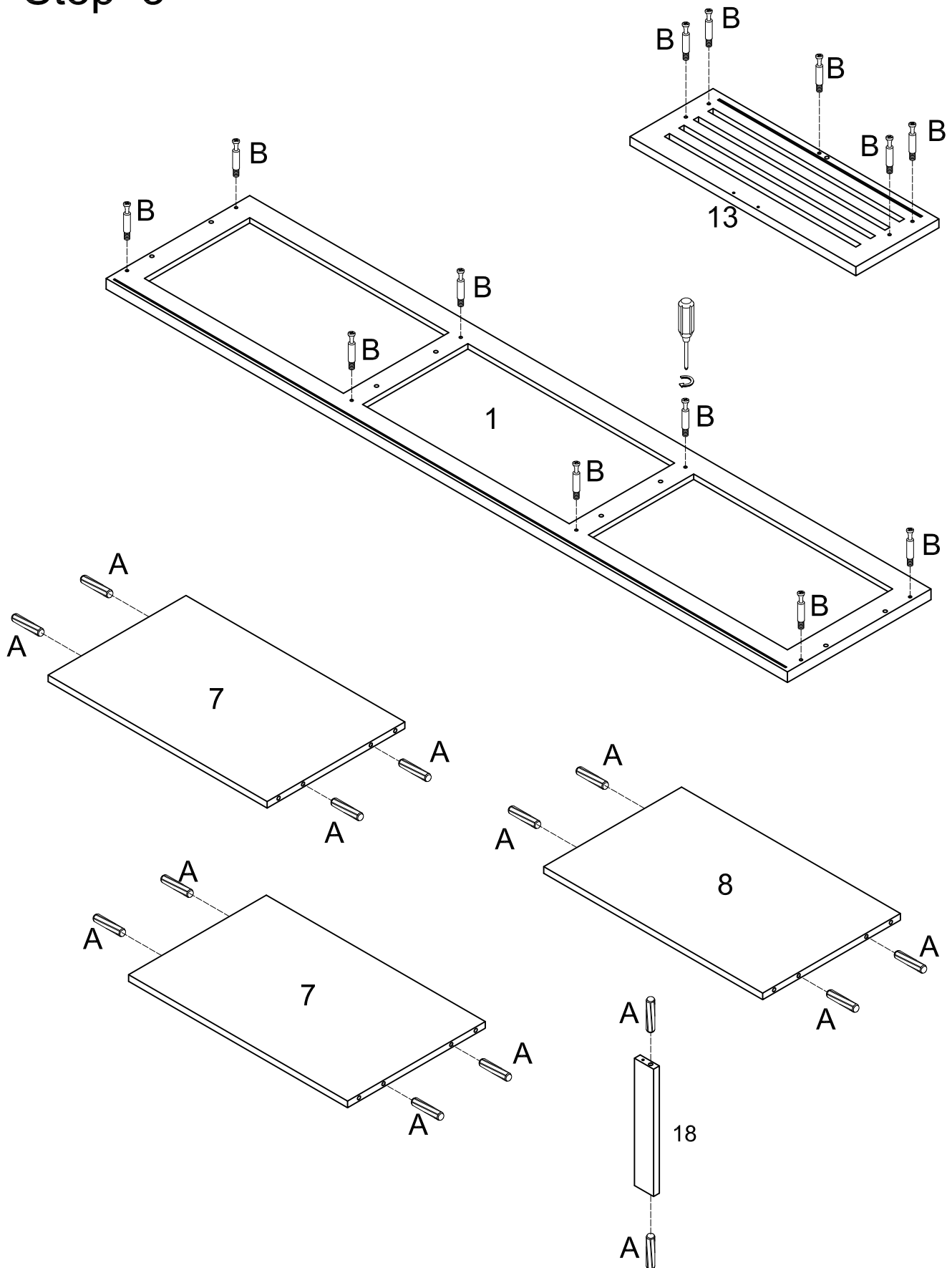
Disassemble drawer slider (P) by sliding the slider arm and slider bracket apart. Depress the small lever of the slider bracket and carefully pull the two pieces apart. Repeat this process for both drawer sliders (P). Secure slider arm (P) to panel (5,6) and drawer panel 5,16) with screw (Q).

# Step 2



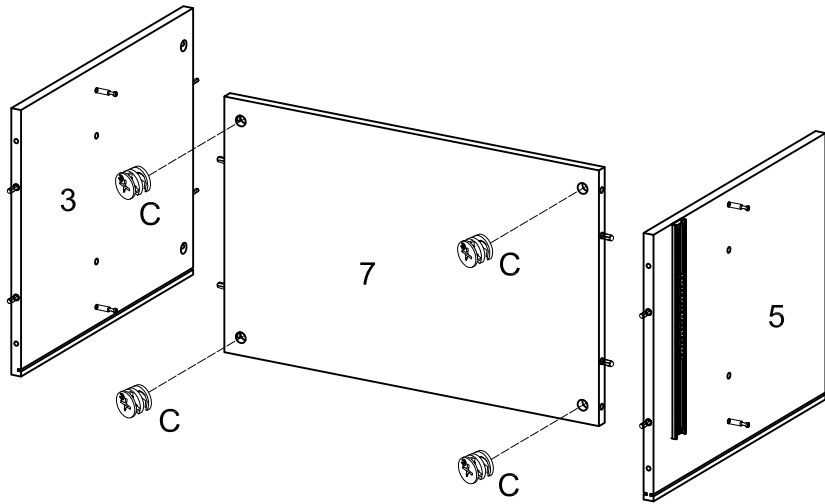
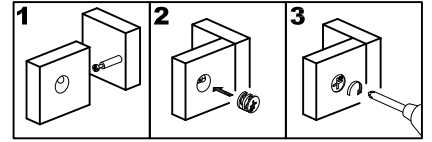
Insert wooden dowel (A) into side panel (3,4,5,6) and secure cam bolt (B) to side panel (3,4,5,6). Also secure cam bolt(B) to the opposite side panel (5,6)

# Step 3



Insert wooden dowel (A) into part (7,8). Insert wooden dowel (A) into part (18),  
Secure cam bolt (B) to top panel (1). Secure cam bolt (B) to drawer part (13),

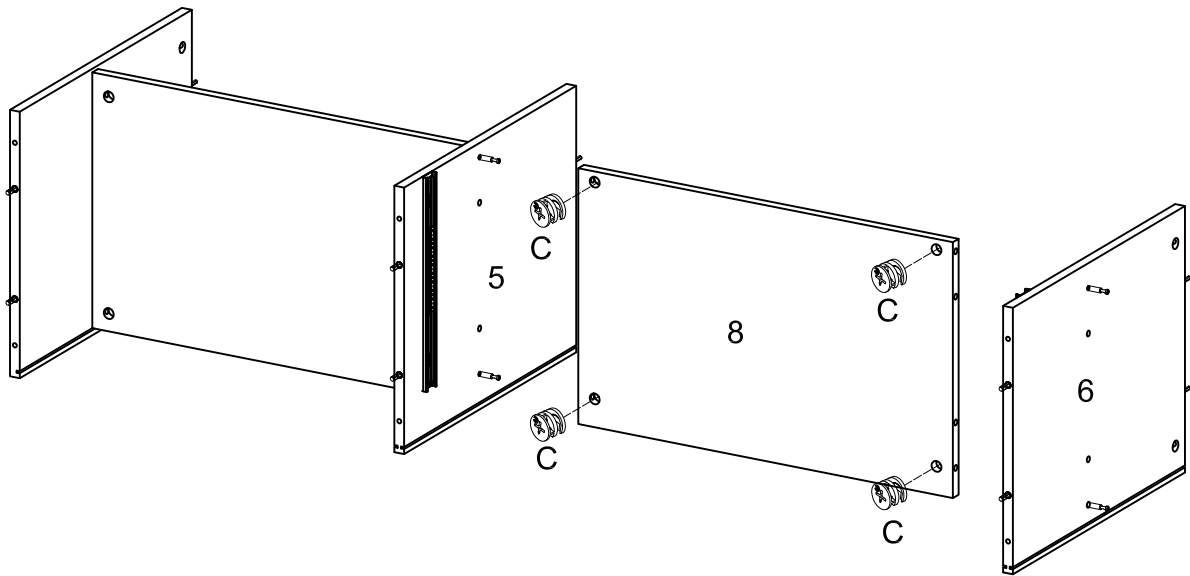
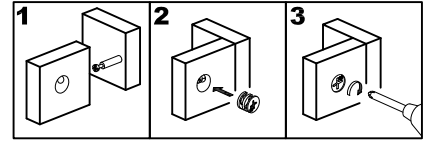
# Step 4



Secure cam bolt (C) to fixed shelf (7).  
Secure cam bolt (C) to side panel(3,5),

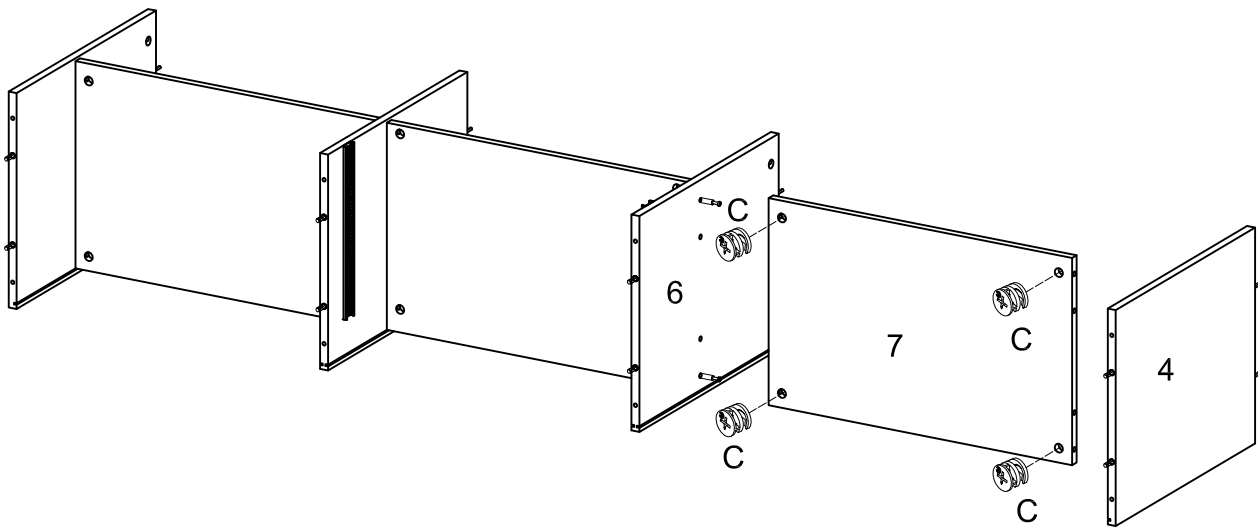
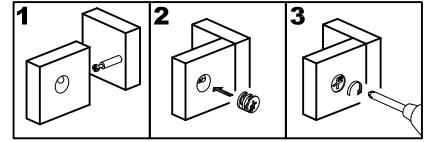


# Step 5



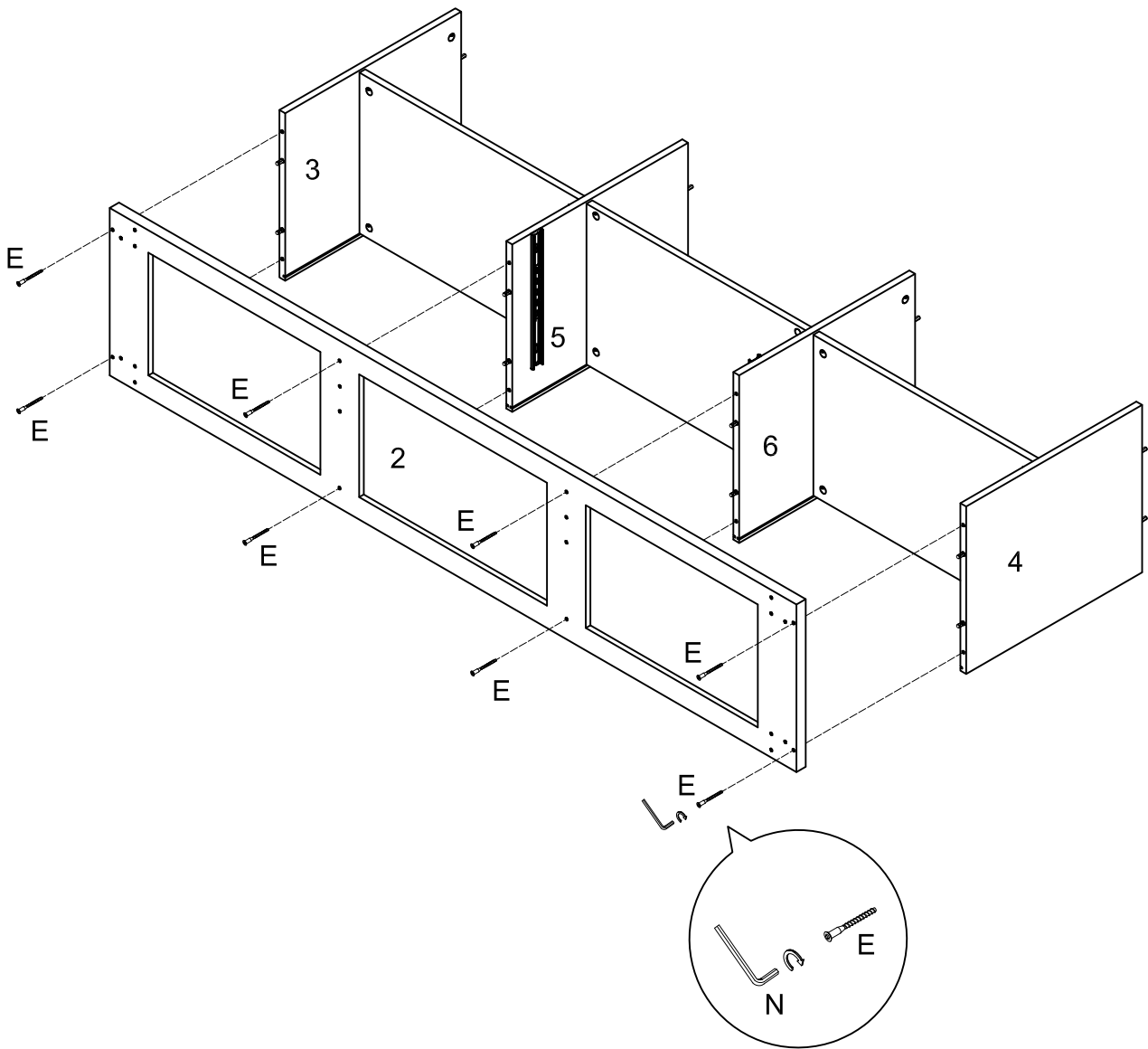
Using cam lock (C) secure panel (8) and attach panel (5,6).

# Step 6



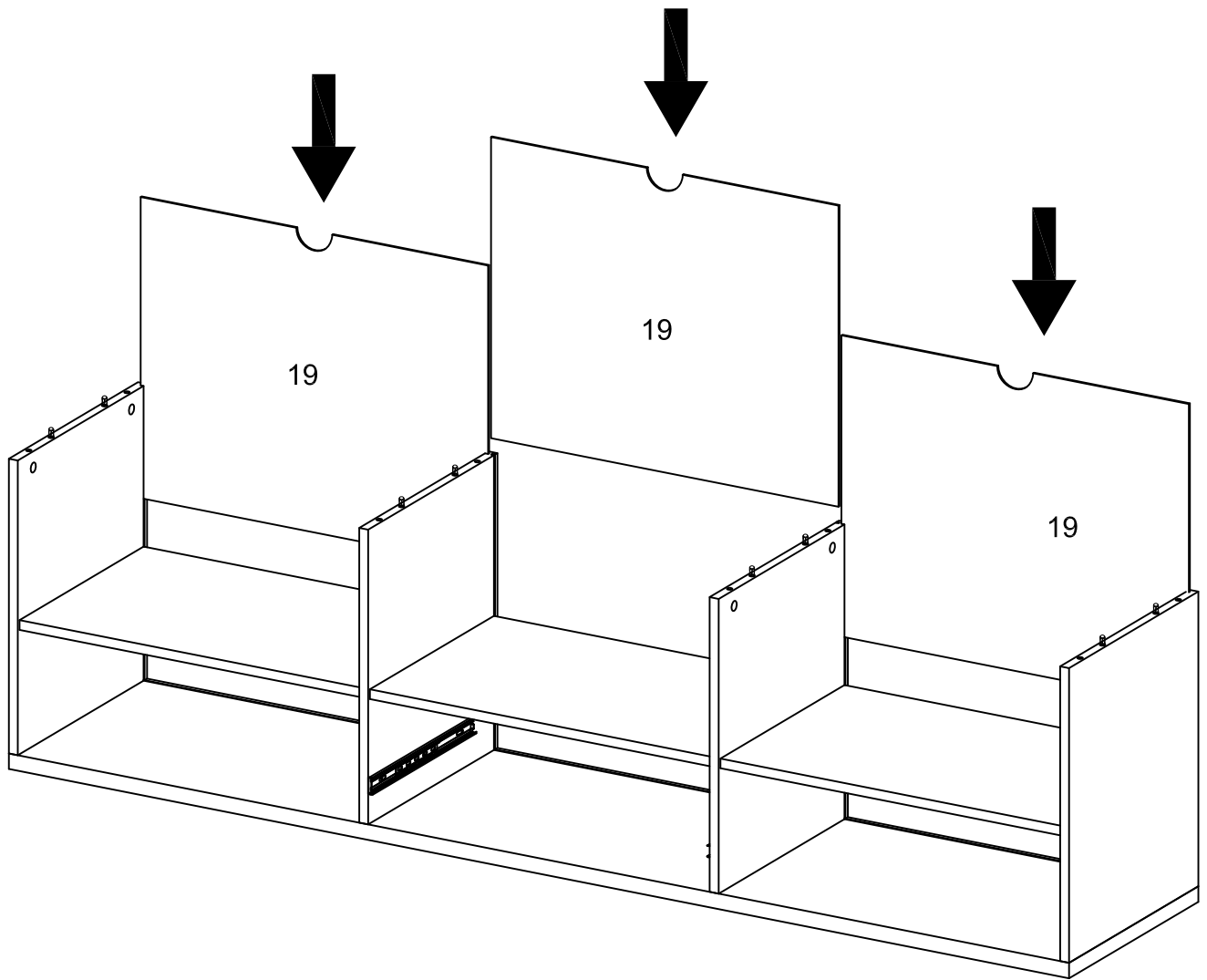
Using cam lock (C) secure panel (7) and attach panel (4,6).

# Step 7



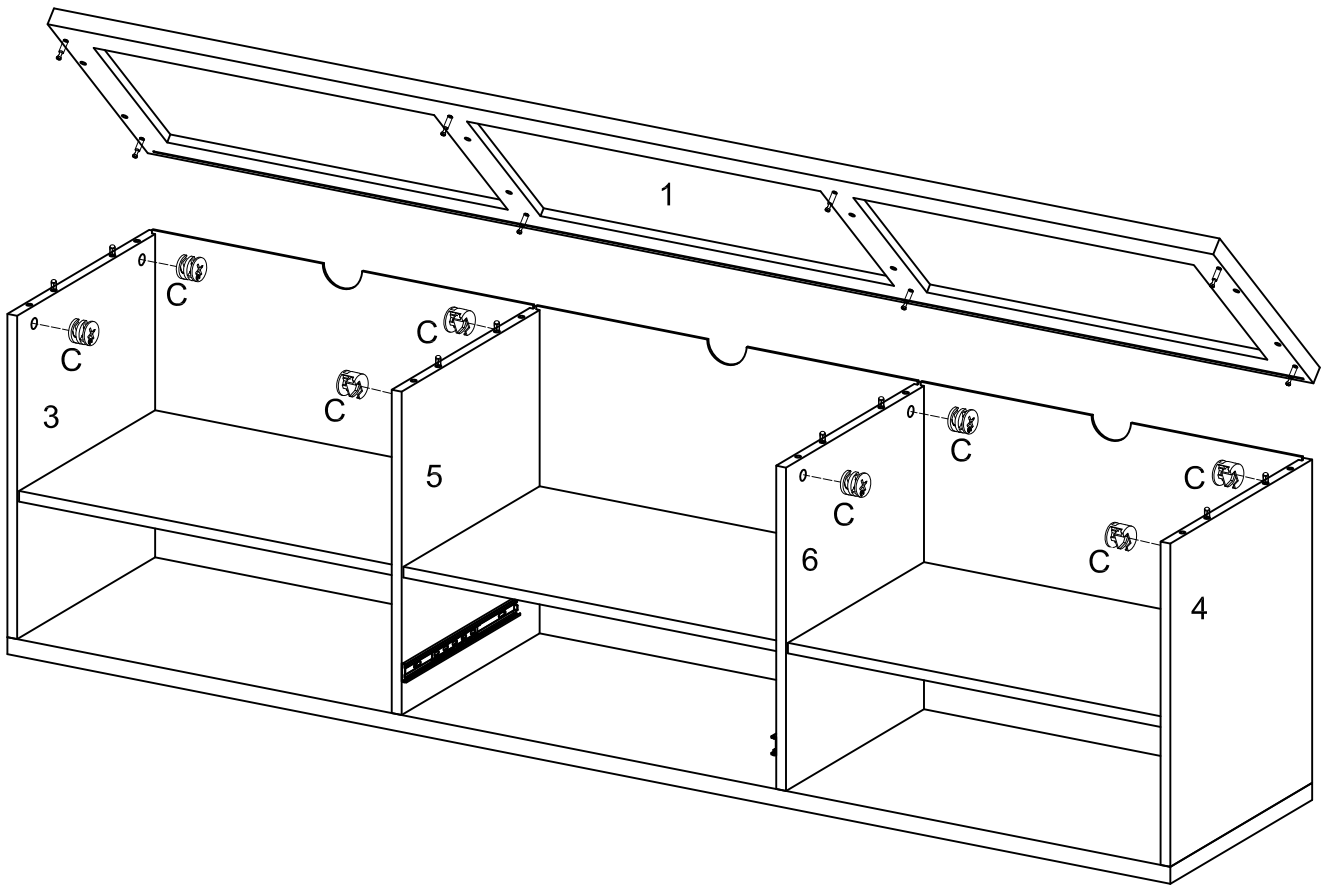
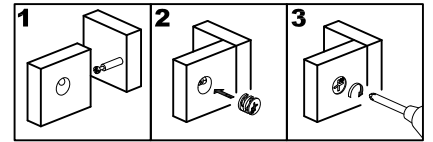
Use Hex key(N) to secure bottom panel (2) to side panel (3,4,5,6) with bolt (E)

# Step 8



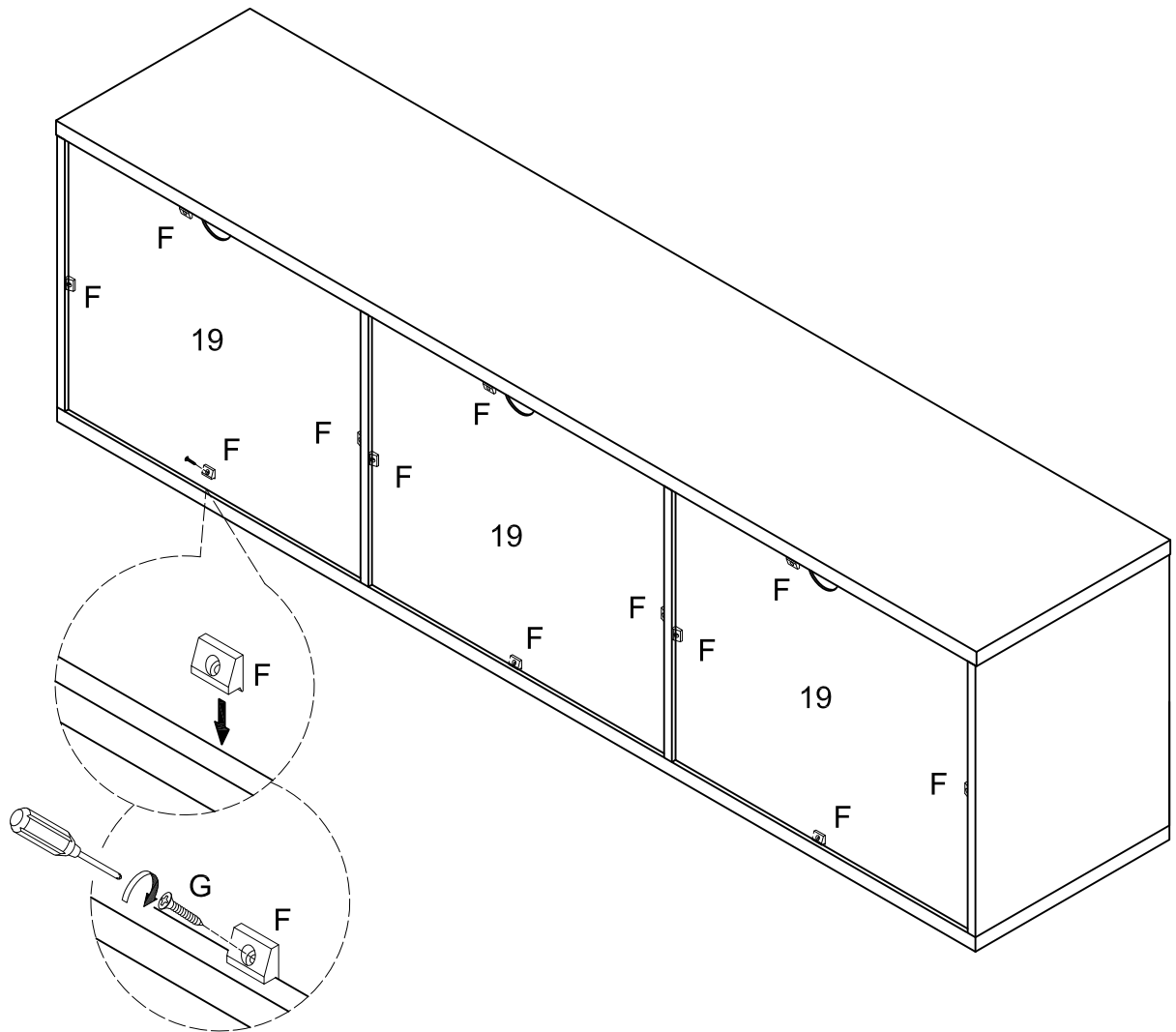
Slide back panels (19) into grooves as per diagram.

# Step 9



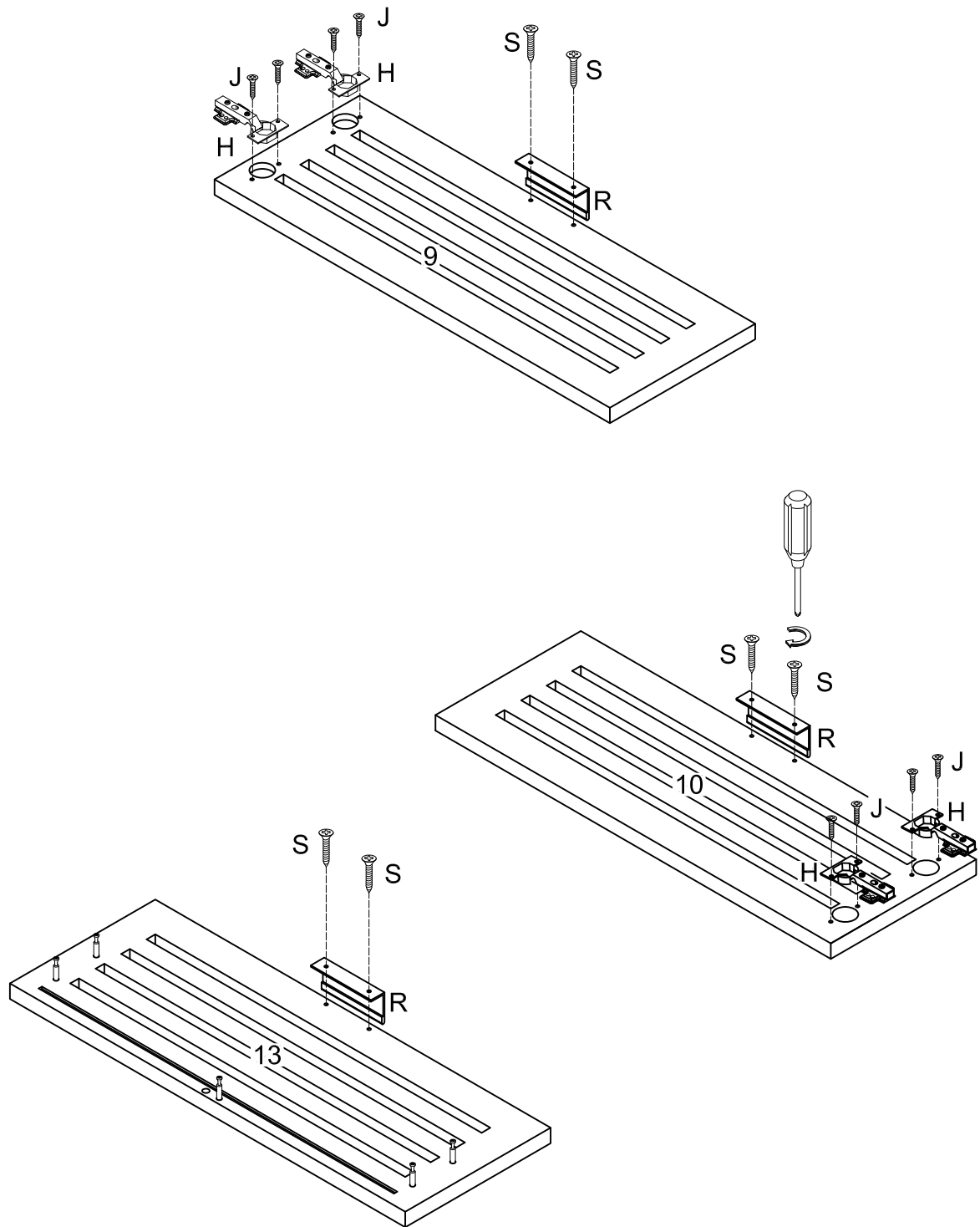
Insert top panel (1) into side panel (3,4,5,6), then insert and secure cam lock (C) to side panel (3,4,5,6) to lock it.

# Step 10



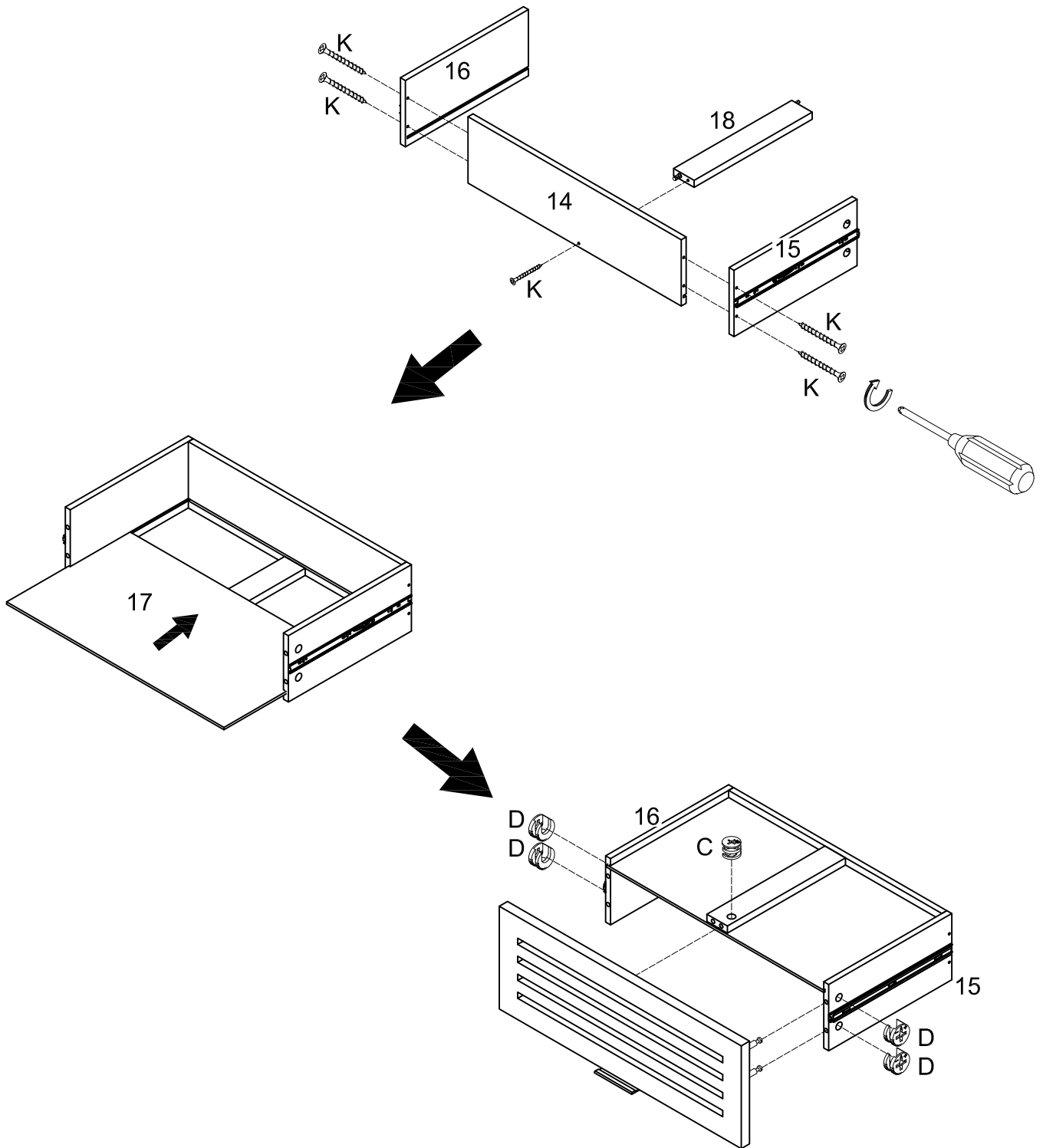
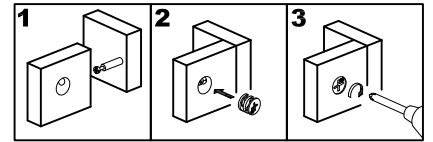
Secure plastic wedge (F) to back panel (19) with screw (G).

# Step 11



Attach handle (R) using black screw (S) to part (9,10,13), hinge (H) using screw (J) to part (9,10) with screwdriver.

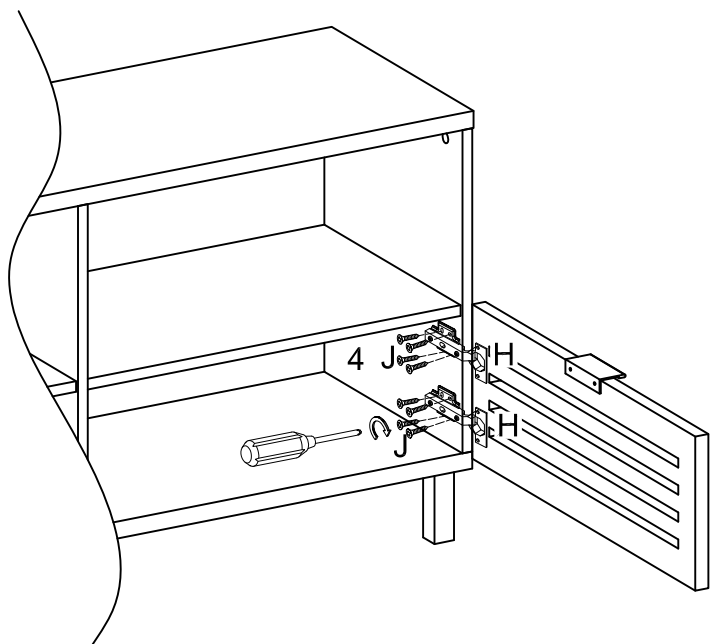
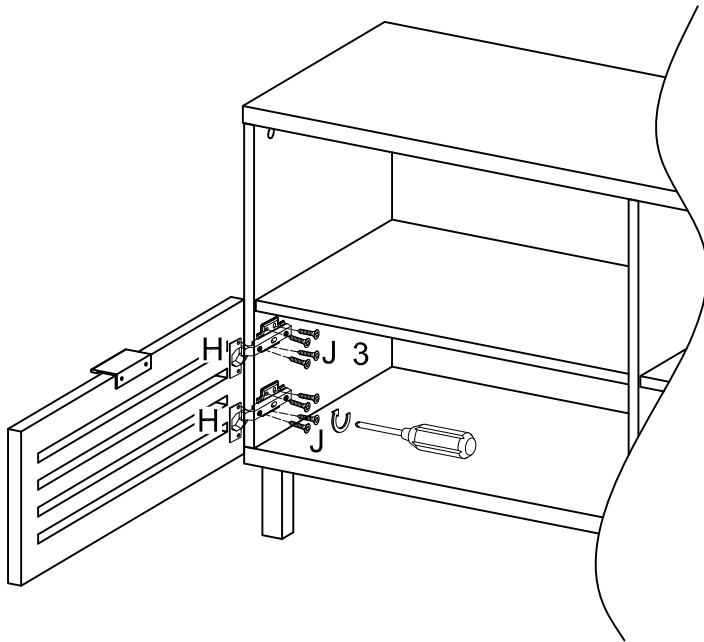
# Step 12



Secure drawer side panel (15,16) and part (18) to drawer back panel (14) with screw (K),  
Slide drawer bottom panel (17) into grooves as per diagram.  
Insert drawer front panel (13) into side panel (15,16) and part (18), then insert and secure  
cam lock (D) to side panel (15,16) and cam lock (C) to part (18) to lock it,

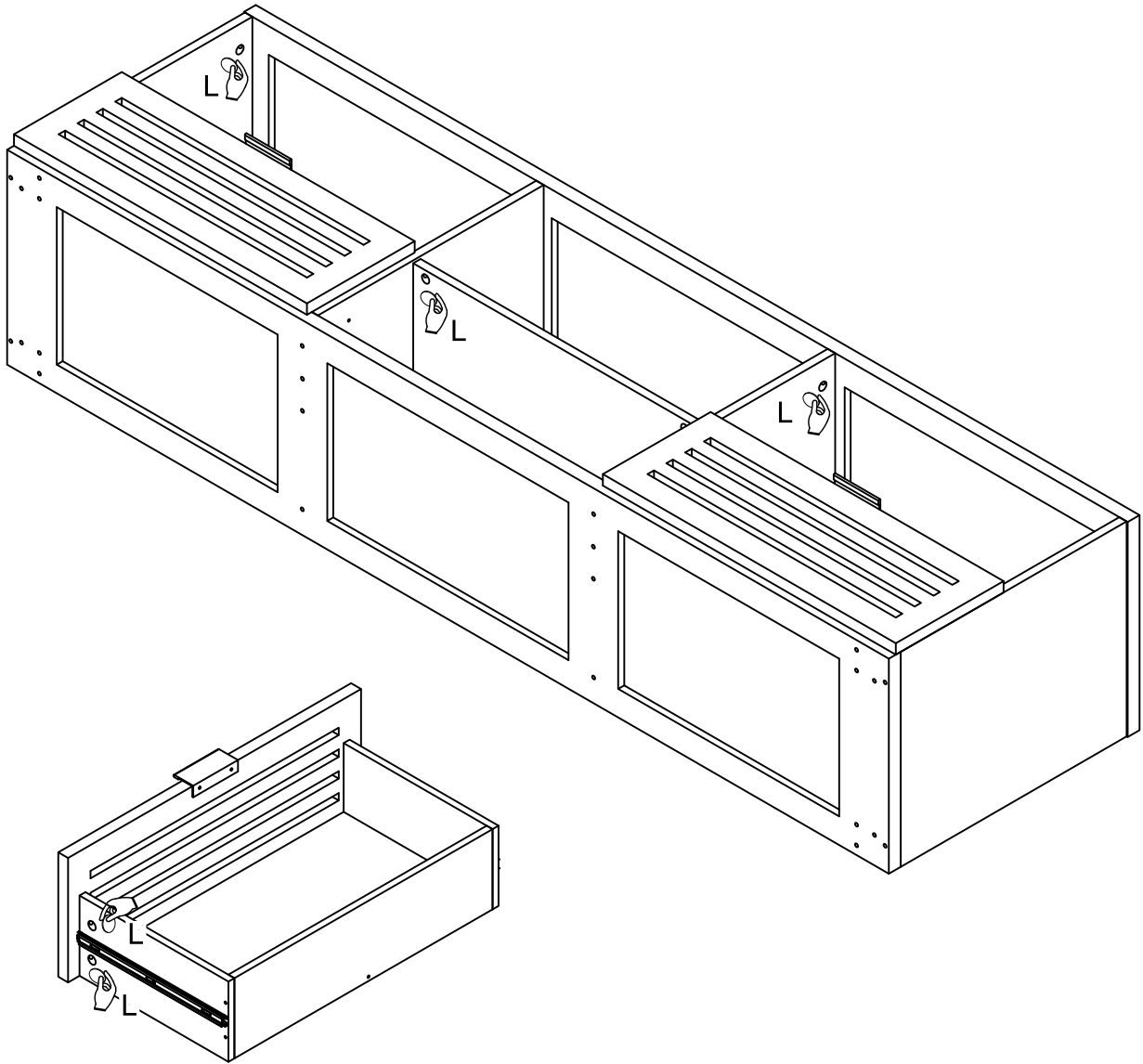


# Step 13



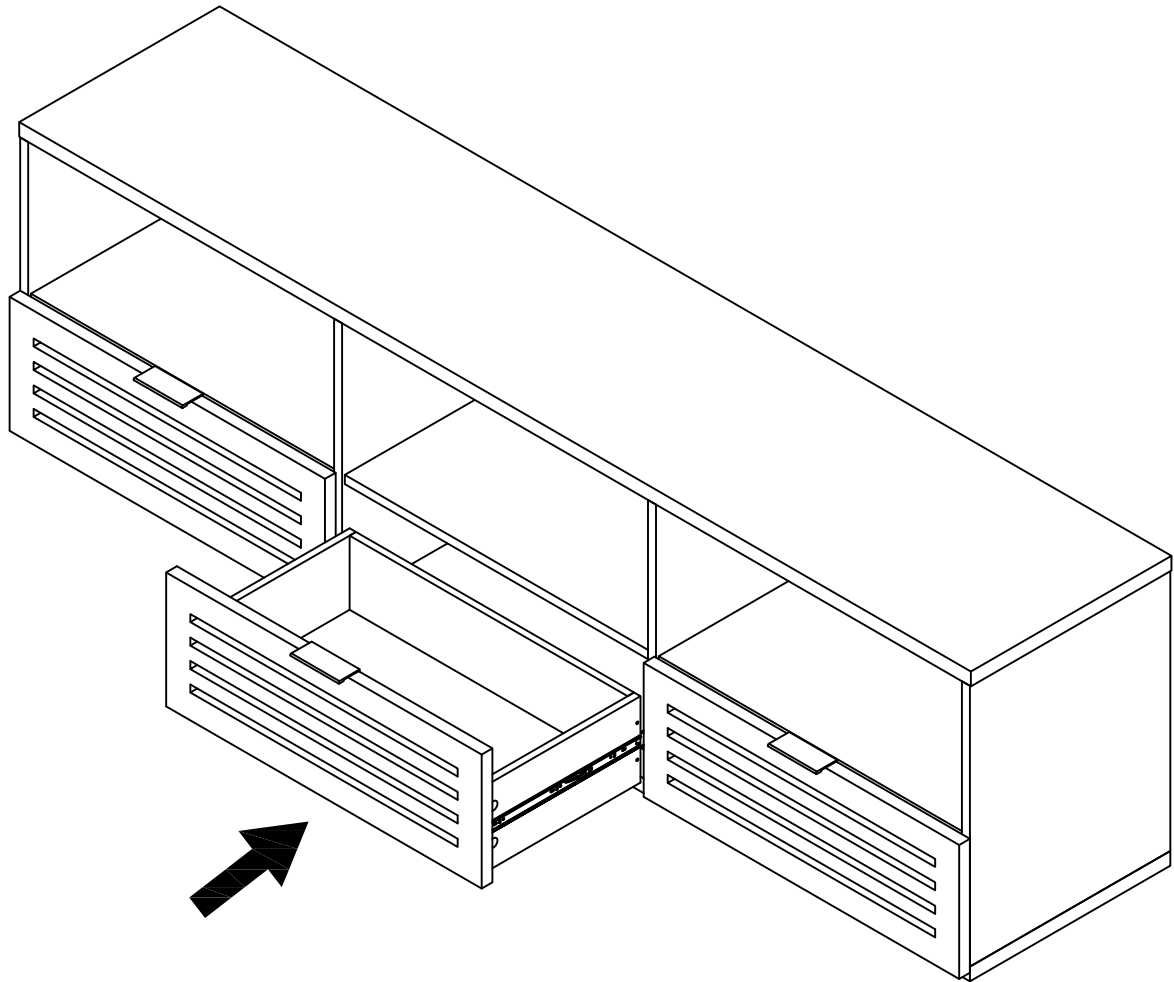
Place door hinge (H) to part (3,4) using screw (J)

# Step 14



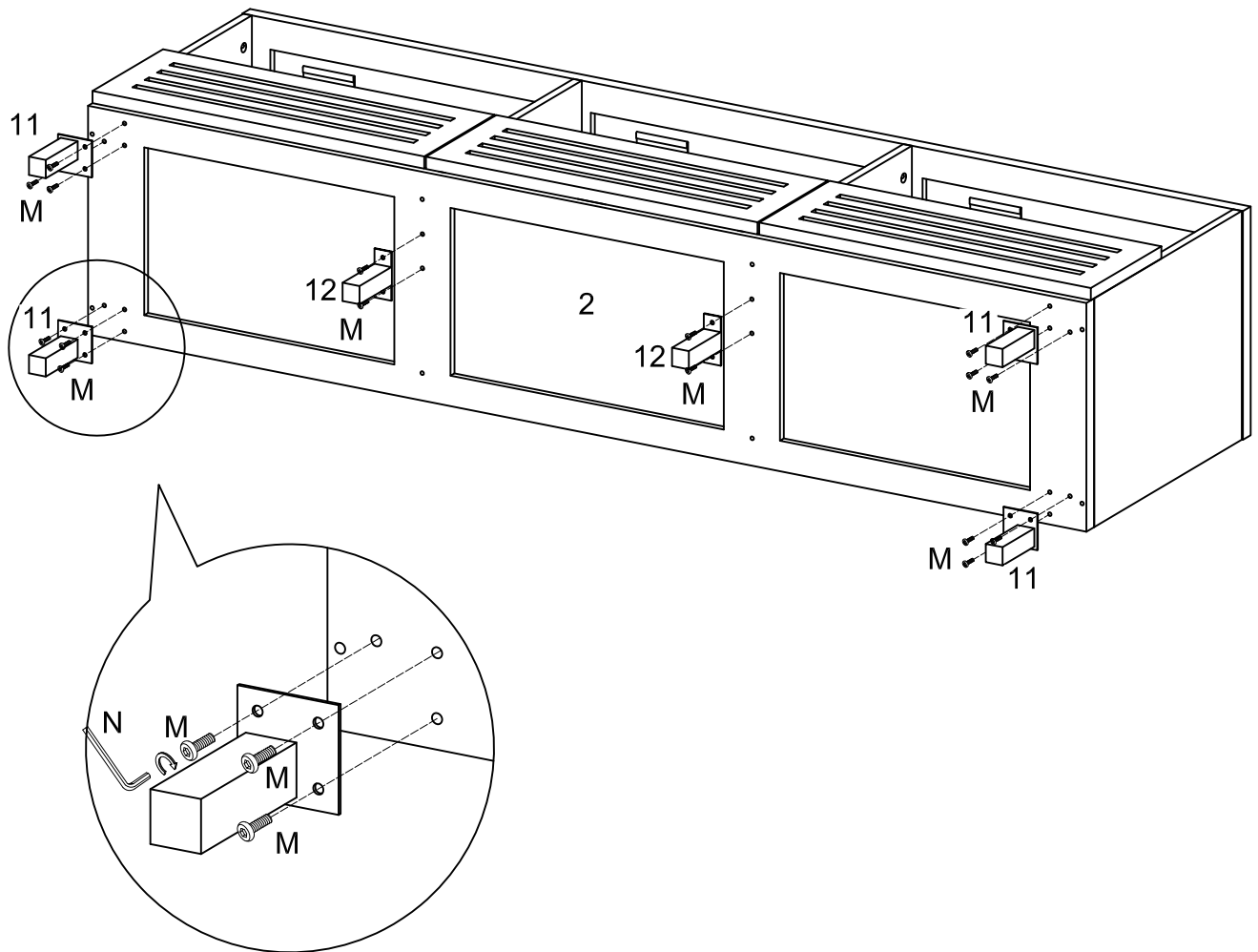
Place sticker (L) over holes as per diagram

# Step 15



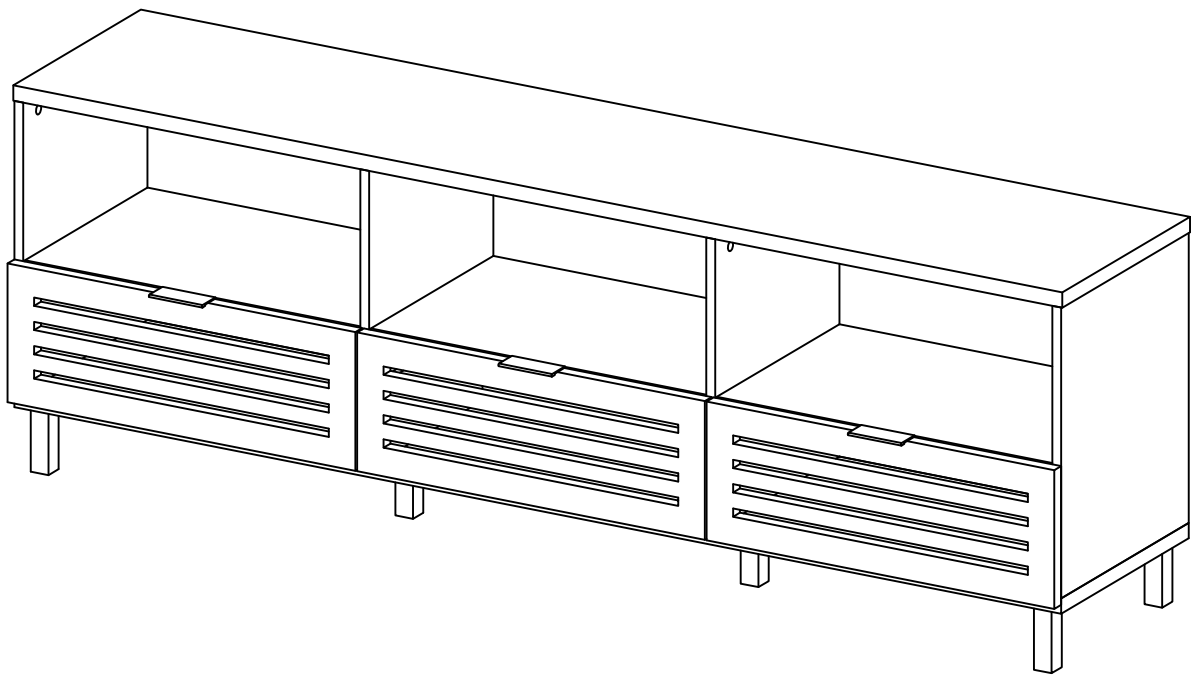
Insert the drawer into slider to lock it.

# Step 16



Use Hex key (N) to leg (11,12) to bottom panel (2) with bolt (M).

# Step 17



## Final Assembly