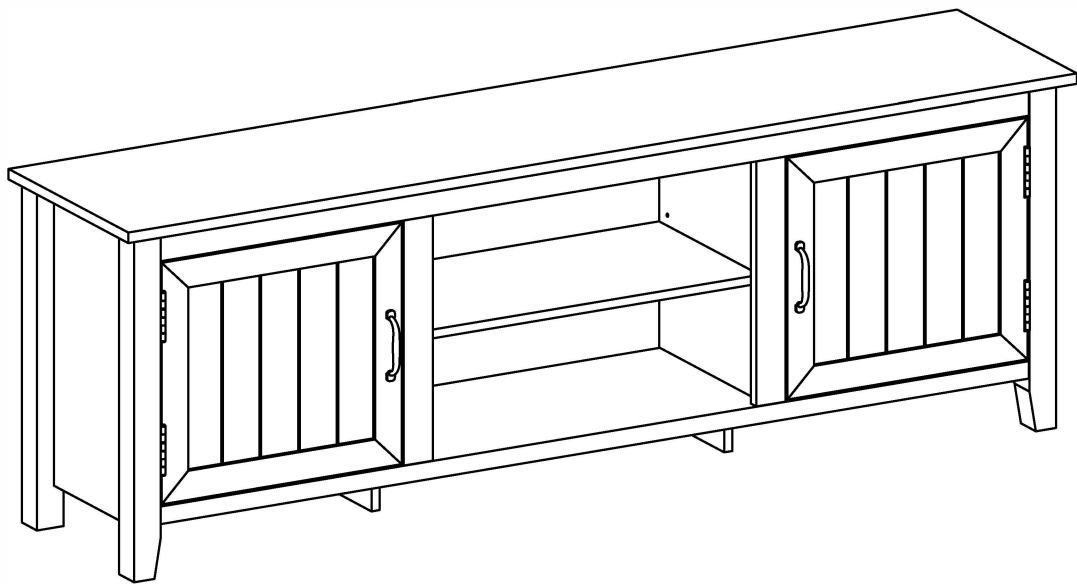


Item # : W70CS2D  
Assembly Instructions

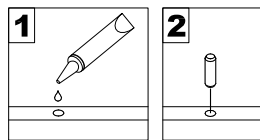


*Please visit our website for the most current instructions, assembly tips, report damage, or request parts. [www.walkeredison.com](http://www.walkeredison.com)*

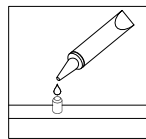
Revised 04/10/2018

# General Assembly Guidelines

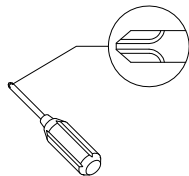
- I. Ensure that all parts and hardware are available before beginning assembly.
- II. Follow each step carefully to ensure the proper assembly of this product.
- III. Two people are recommended for ease in the assembly of this product.
- IV. The three main types of hardware used to assemble this product are : wood dowels , screws and bolts.
- V. The provided glue is to secure wood dowels in place . When first inserting dowels , locate the appropriate hole for the dowel , place a small amount of glue in the hole and insert the dowel . Wipe away excess glue immediately.



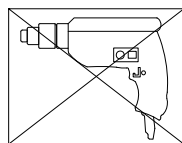
In future assembly steps when dowels are necessary to attach assembly parts together , place a small amount of glue on the end of the dowel before attaching parts together . Wipe away excess glue immediately.



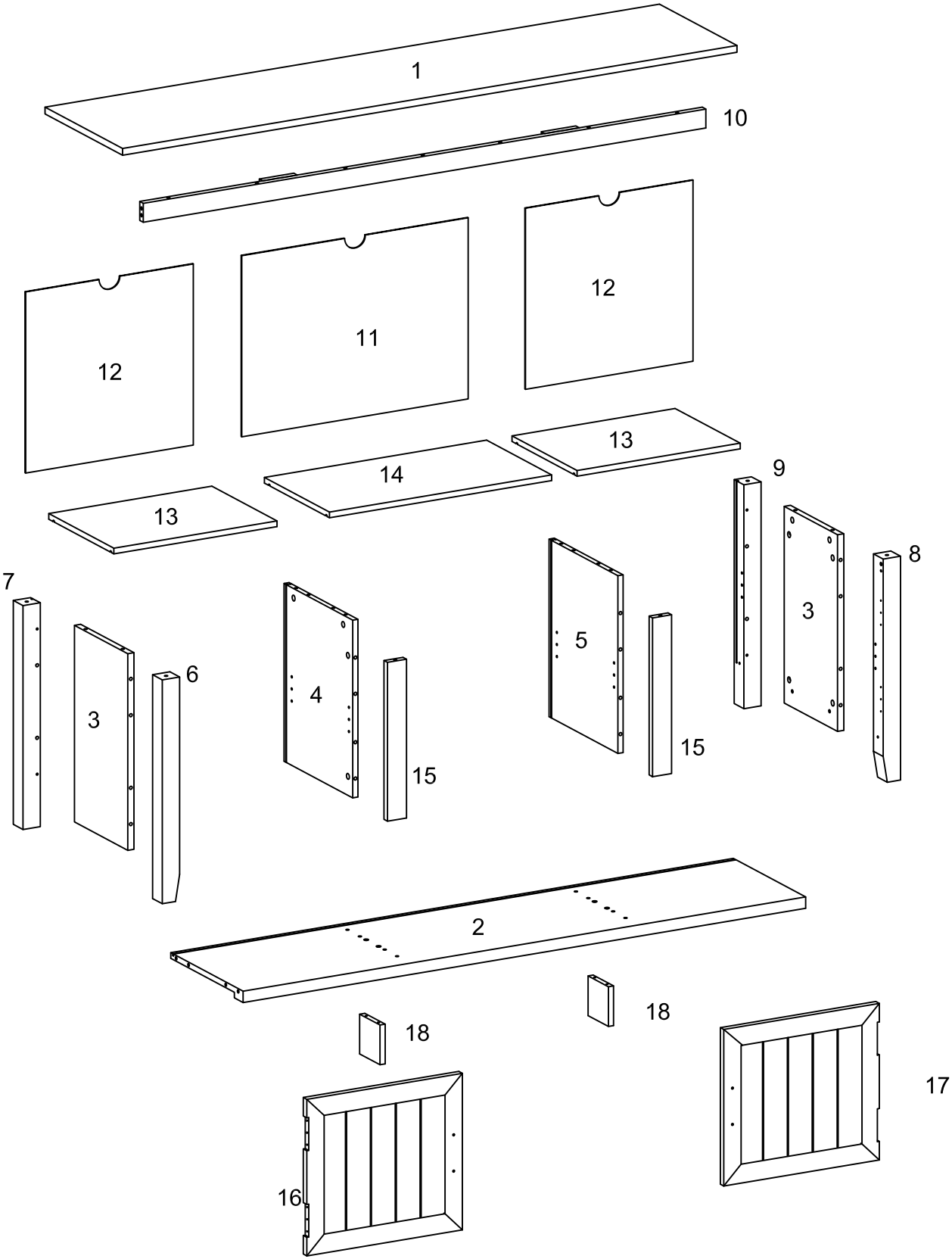
- VI. A Phillips head screwdriver is required for the assembly of this product .







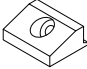
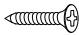
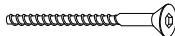

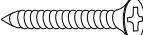
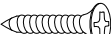


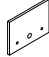
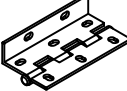
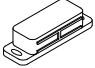



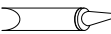
- VII. Power tools should not be used to assemble this product .

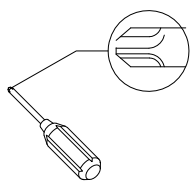


# Parts List



# Hardware List

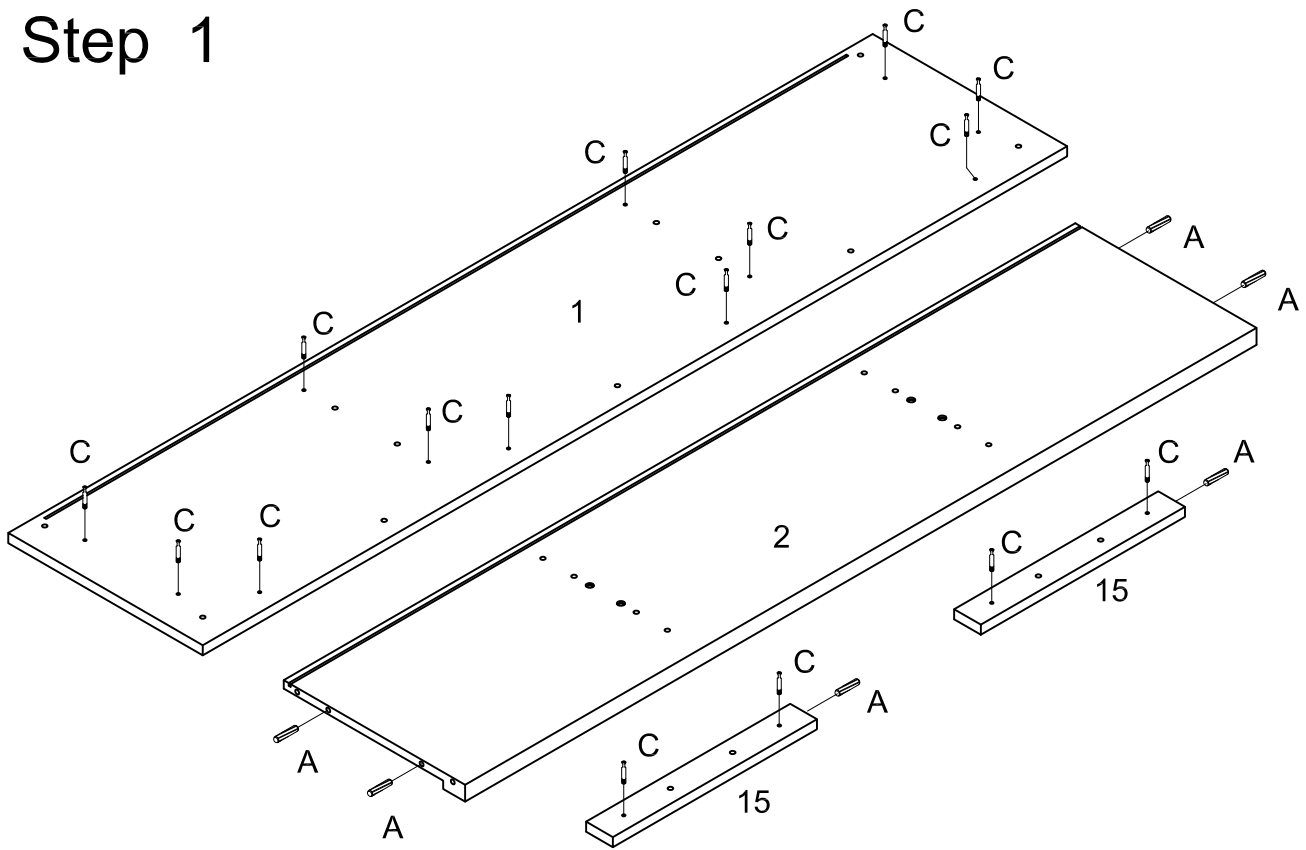
A		Ø8x30mm	Wooden dowel	35 pcs
B		Ø15x11mm	Cam lock	30 pcs
C		Ø6x35mm	Cam bolt	30 pcs
D		Ø30mm	Sticker	30 pcs
E			Plastic wedge	12 pcs
F		Ø3x17	screw	12 pcs
G		Ø6x50mm	Bolt	8 pcs
H		Ø5x16mm	Shelf support pin	12 pcs
I		Ø4x20	Screw	24 pcs
J		Ø4x15	Screw	8 pcs
K		Ø4x25	Bolt	4 pcs
L			Handle	2 pcs
M		30x20x1	Door plate	2 pcs
N			Hinge	4 pcs
O			Door stopper	2 pcs
P		Ø3x15	Screw	4 pcs
Q		Ø3x12	Screw	2 pcs
R		M 4	Hex key	1 pcs
S			Glue tube	1 pcs



Philips head screwdriver required for assembly  
(not included)

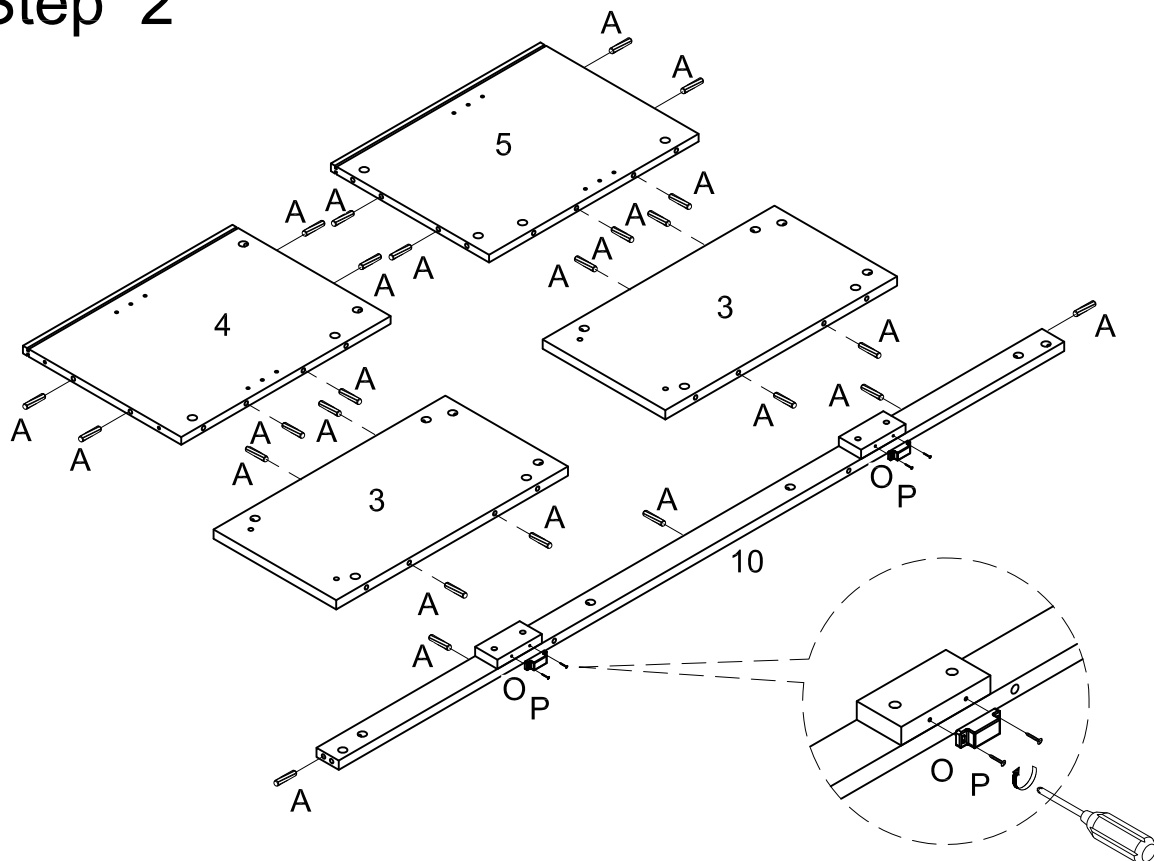
*The hardware quantities listed above are required for proper assembly.  
Some extra hardware may also have been included.*

# Step 1



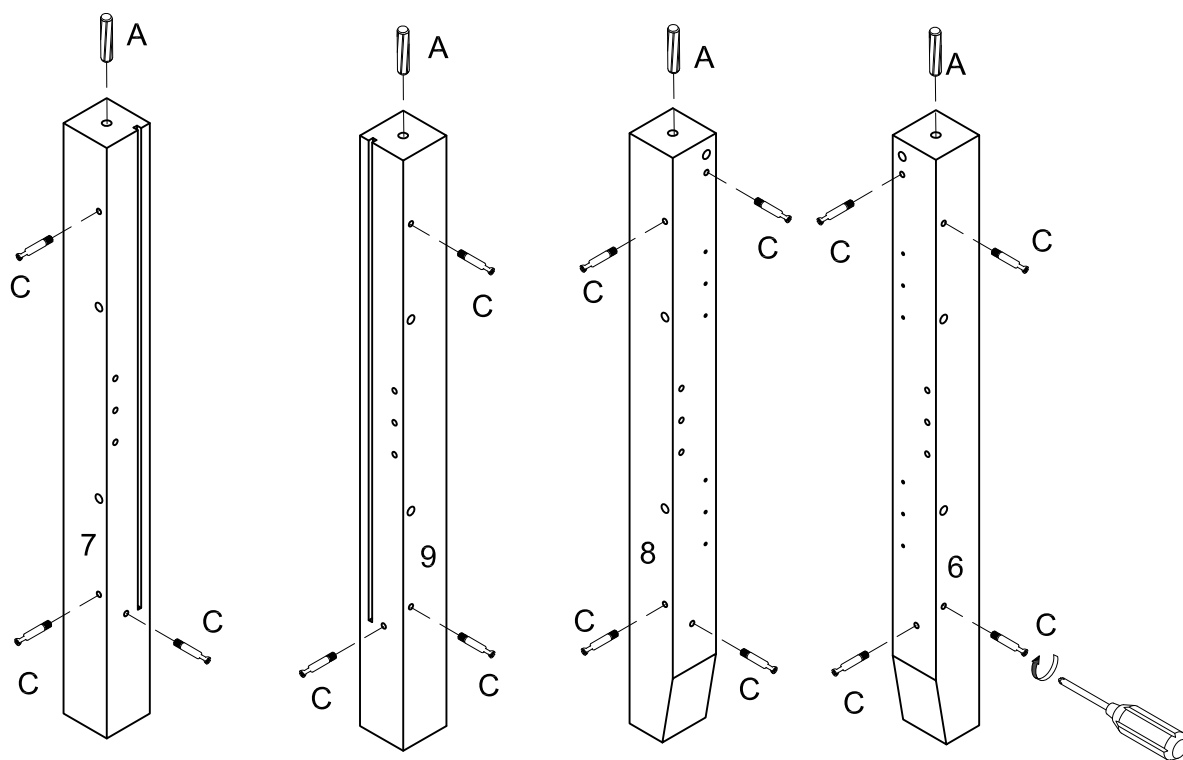
Insert wooden dowel (A) to part (2,15). Insert cam bolt (C) to part (1,15).

# Step 2



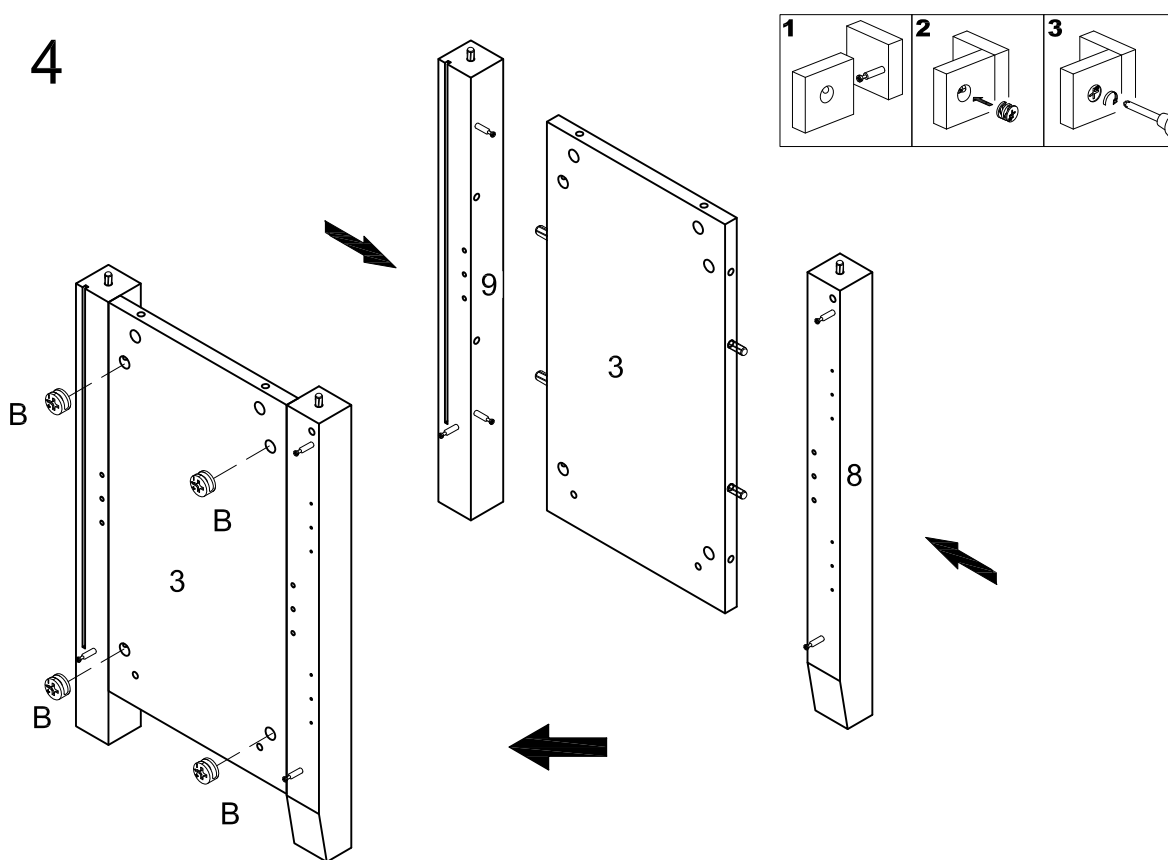
Insert wooden dowel (A) to part (3,4,5,10). Attach door stopper (O) to part (10) using screw (P) with screwdriver.

## Step 3



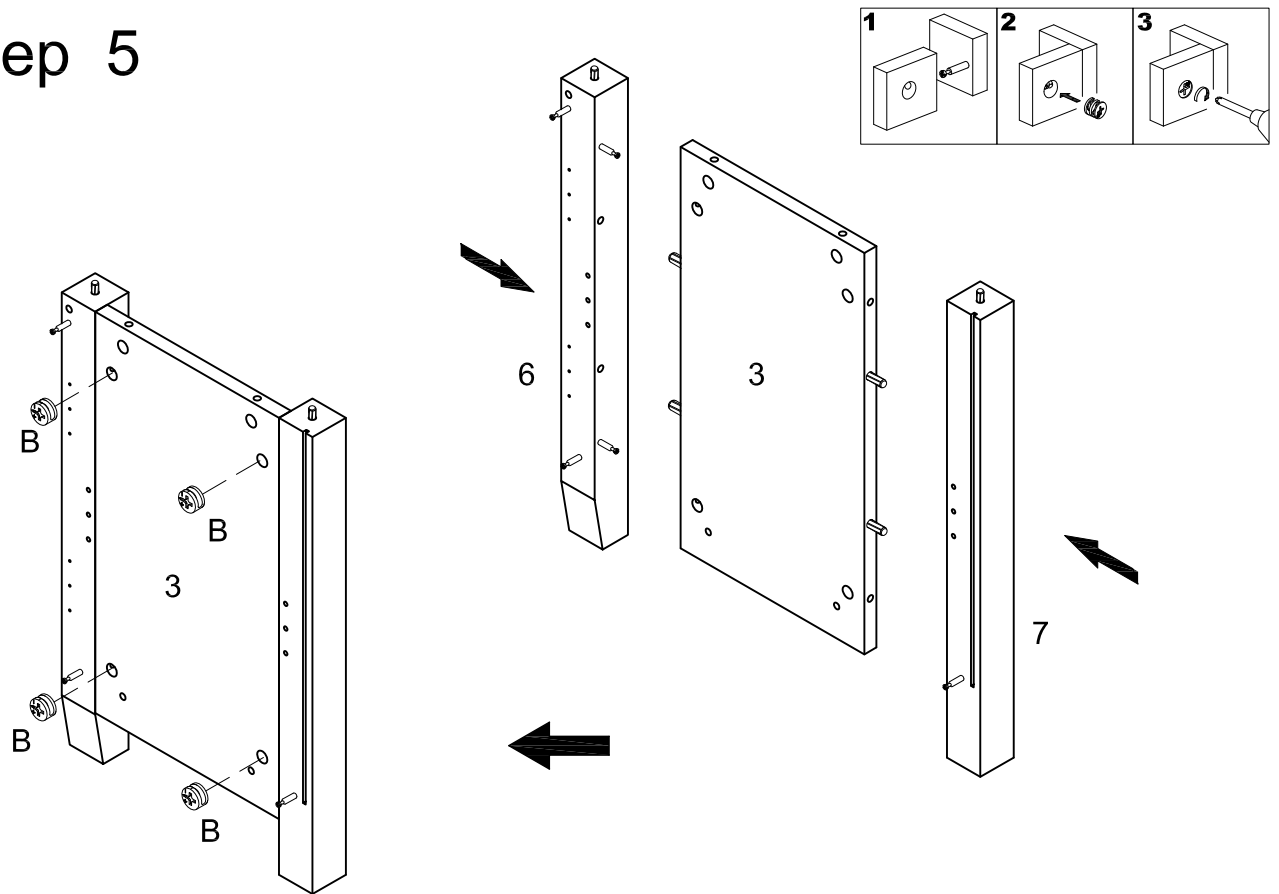
Insert wooden dowel (A) and cam bolt (C) to part (6,7,8,9).

## Step 4



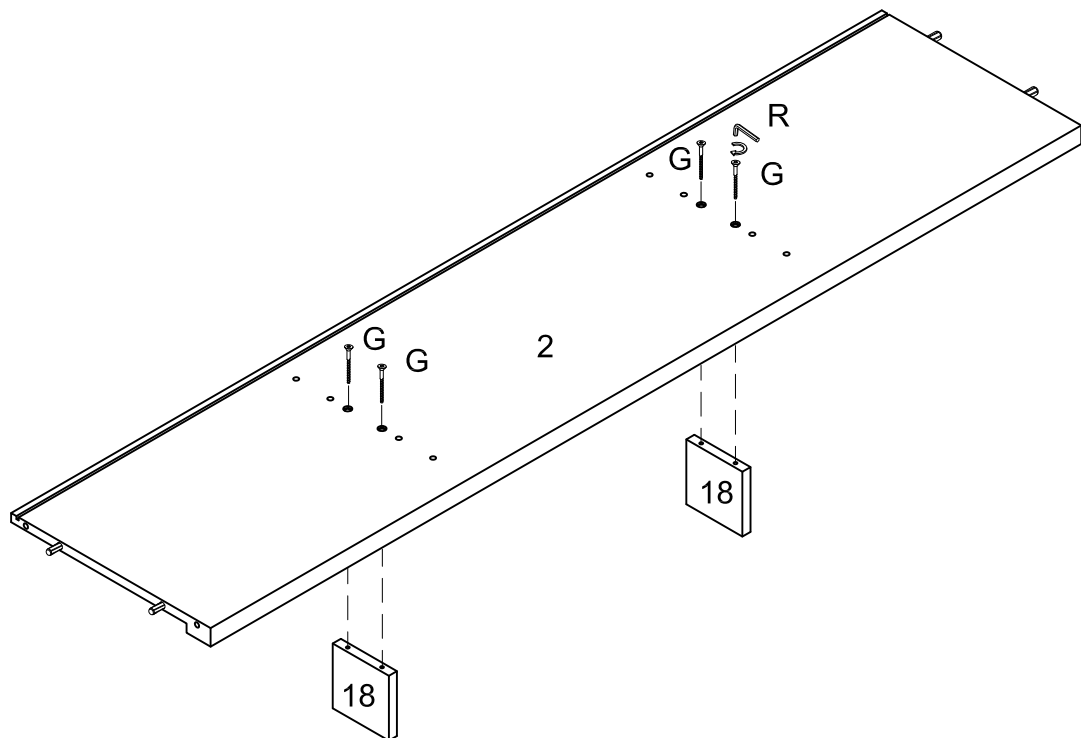
Attach part (8,9) to part (3), then insert and secure cam lock (B) to part (3) to lock it.

## Step 5



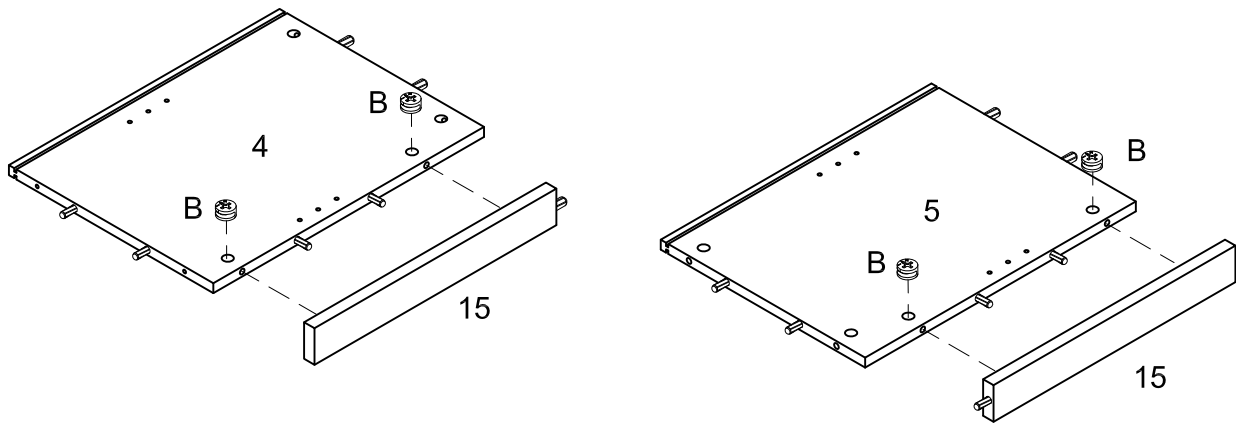
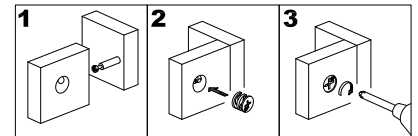
Attach part (6,7) to part (3), then insert and secure cam lock (B) to part (3) to lock it.

## Step 6



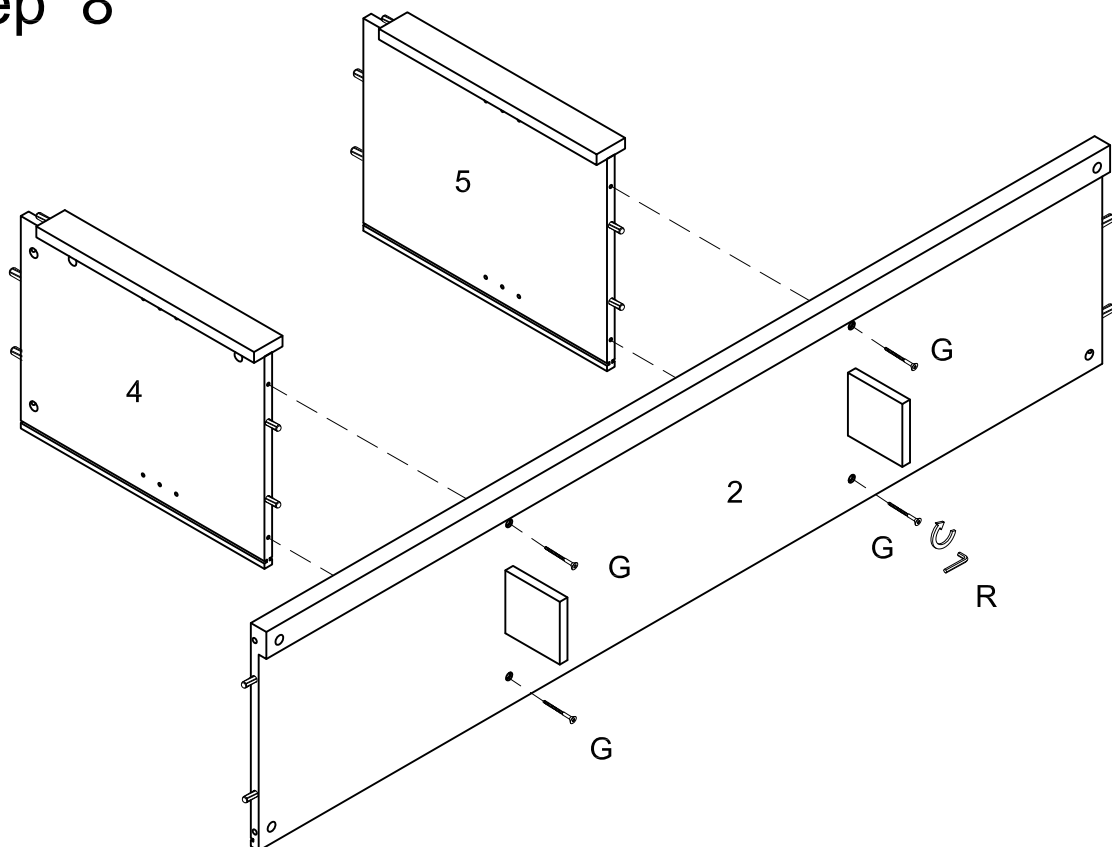
Attach part (18) to part (2) using bolt (G) with hex key (R).

# Step 7



Attach part (15) to part (4,5), then insert and secure cam lock (B) to part (4,5) to lock it.

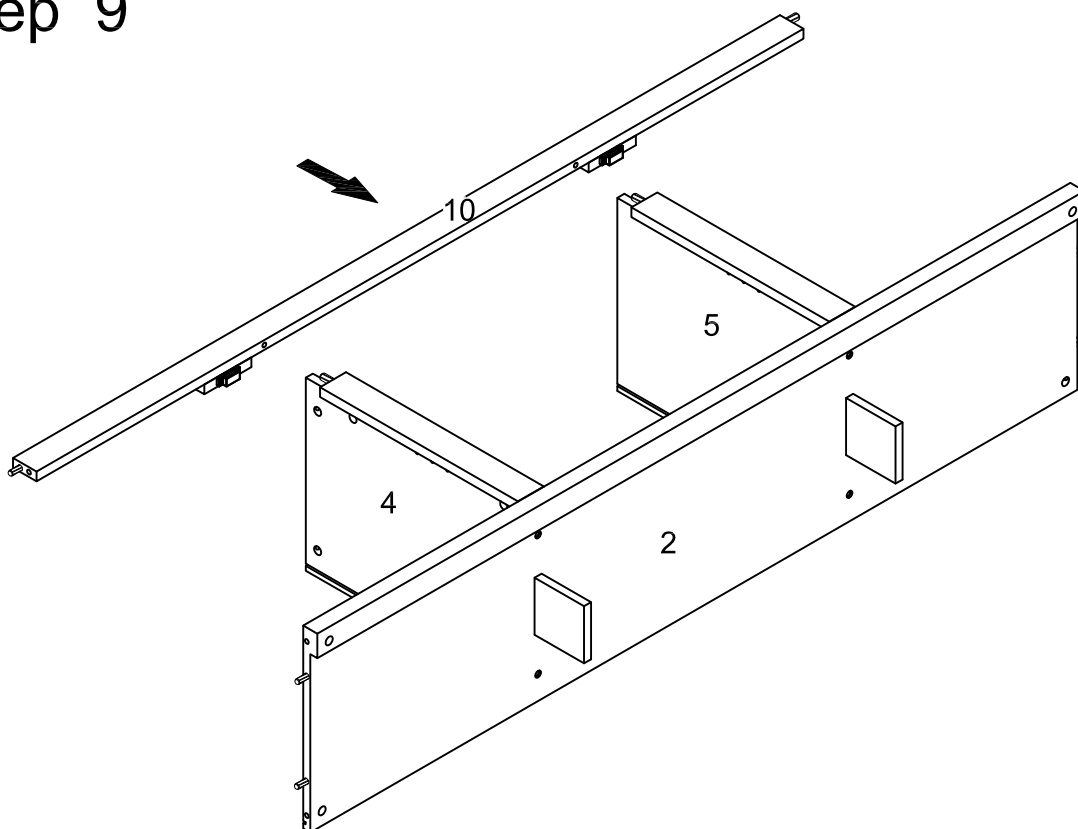
# Step 8



Attach part (4,5) to part (2) using bolt (G) with hex key (R).

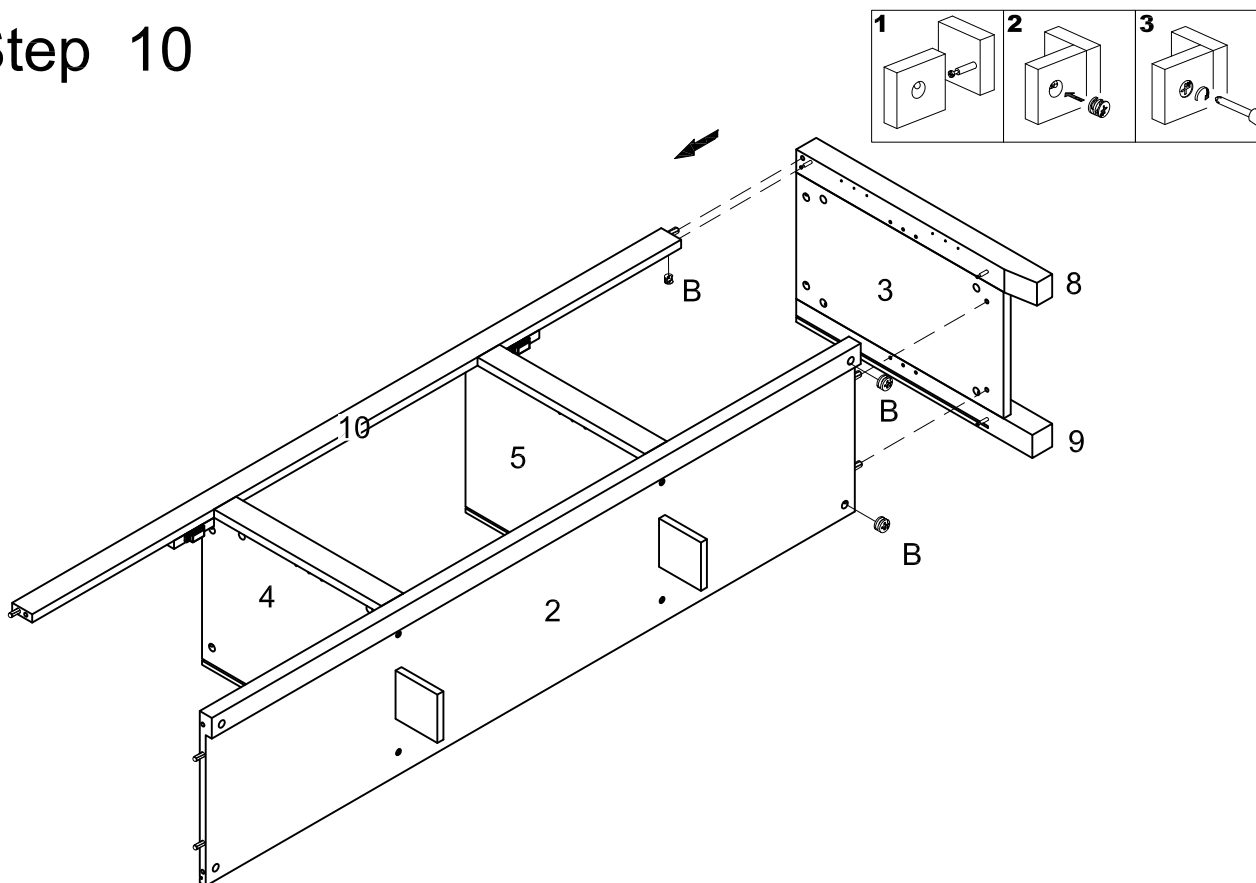


## Step 9



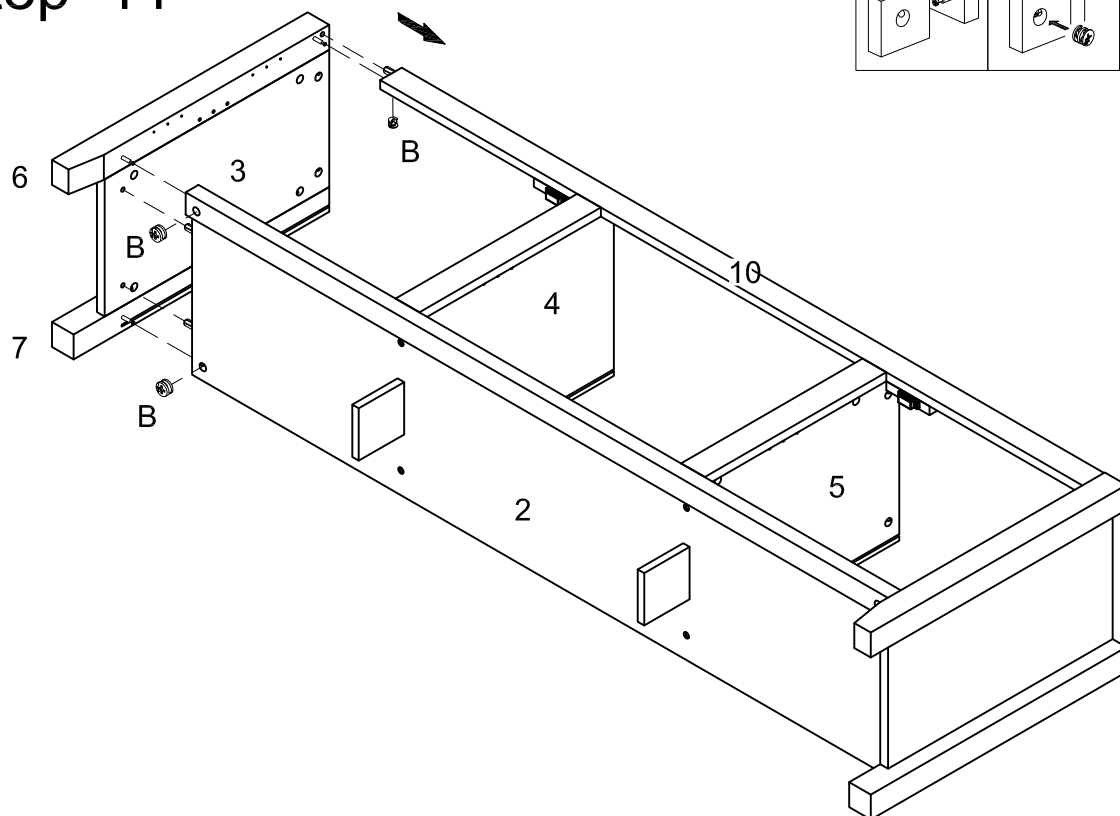
Attach part (10) to part (4,5).

## Step 10



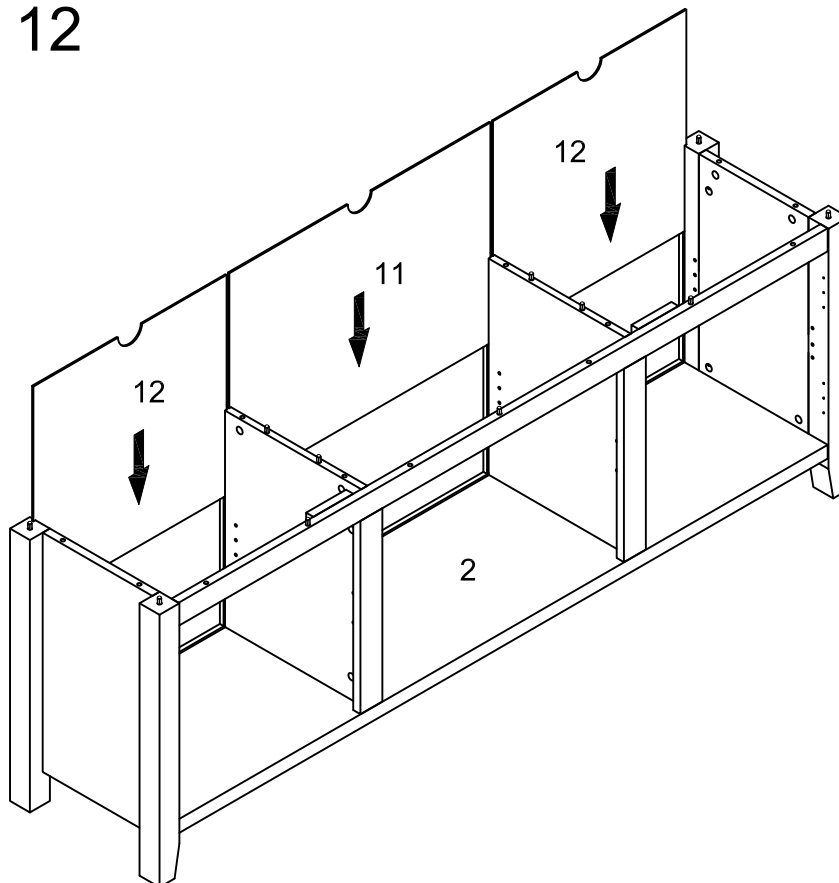
Attach part (8,9) to part (2,10), then insert and secure cam lock (B) to part (2,10) to lock it.

## Step 11



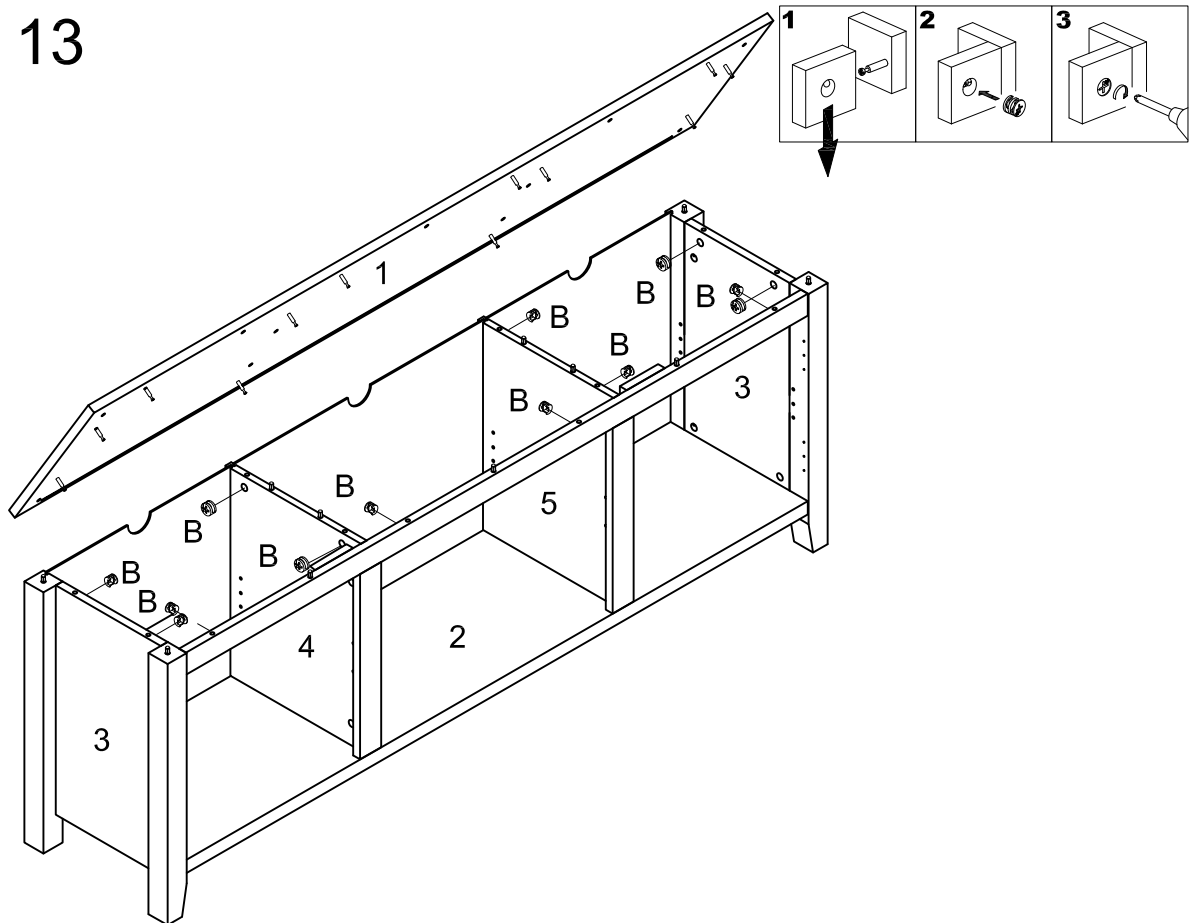
Attach part (6,7) to part (2,10), then insert and secure cam lock (B) to part (2,10) to lock it.

## Step 12



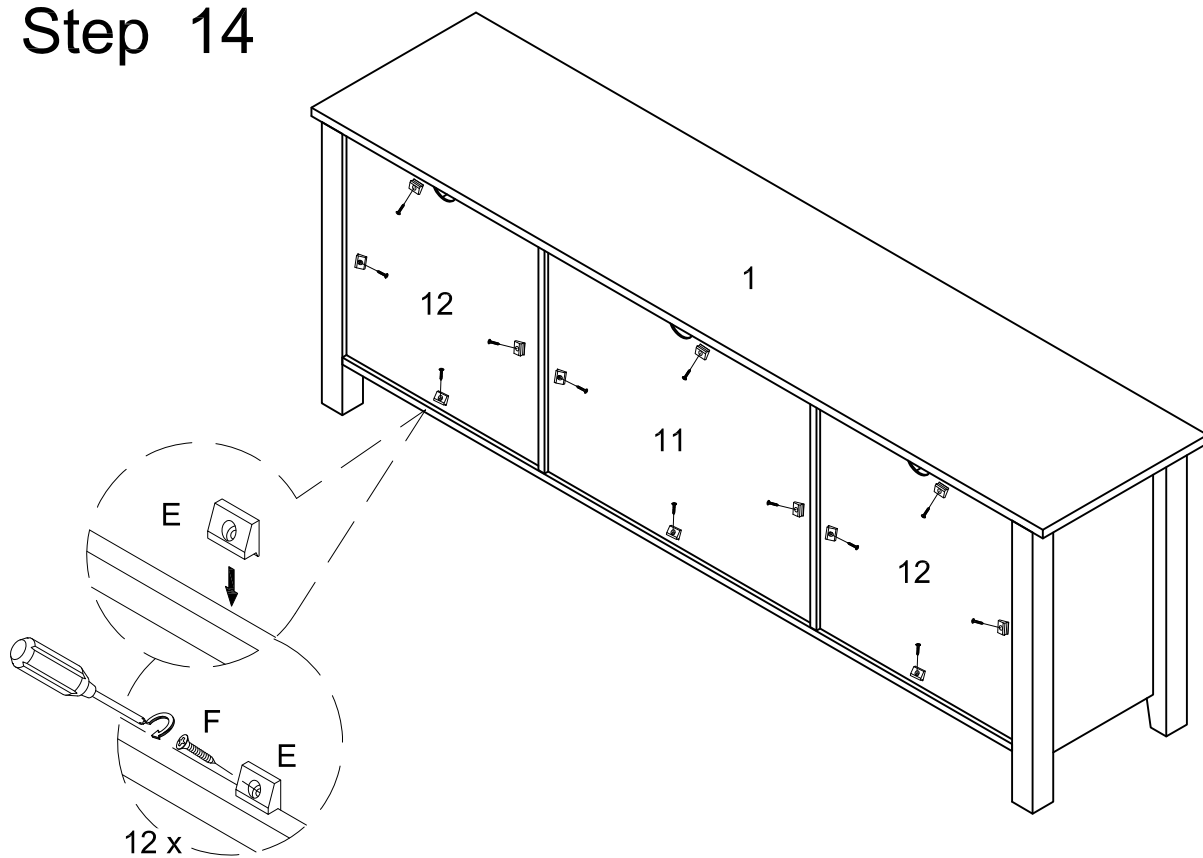
Slide back panel (11,12) into grooves as per diagram.

## Step 13



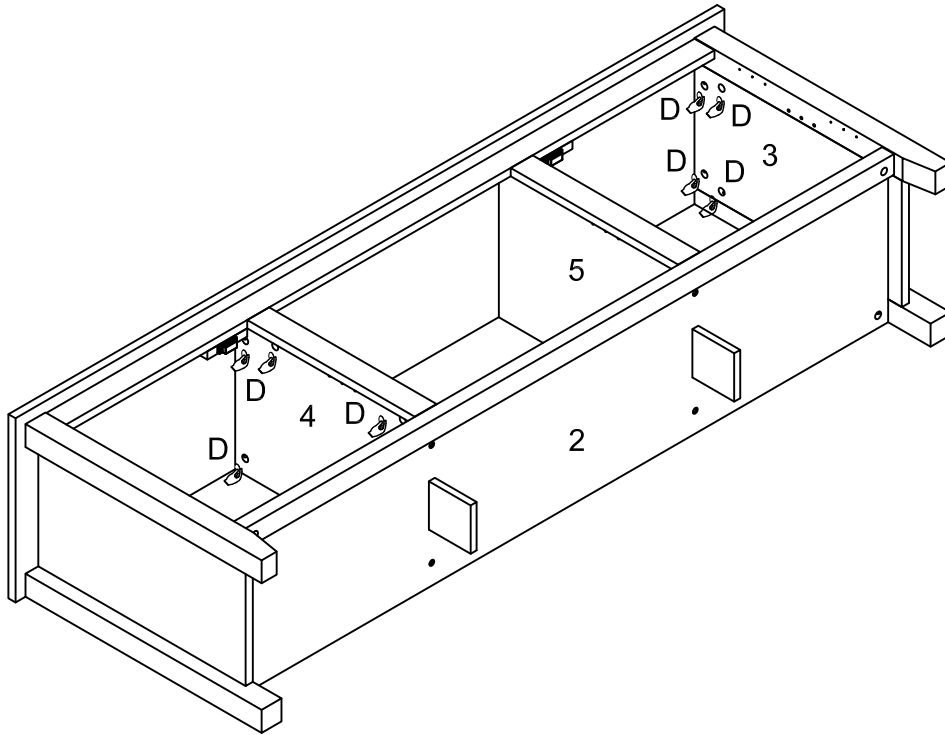
Attach part (1) to frame, then insert and secure cam lock (B) to frame to lock it.

## Step 14



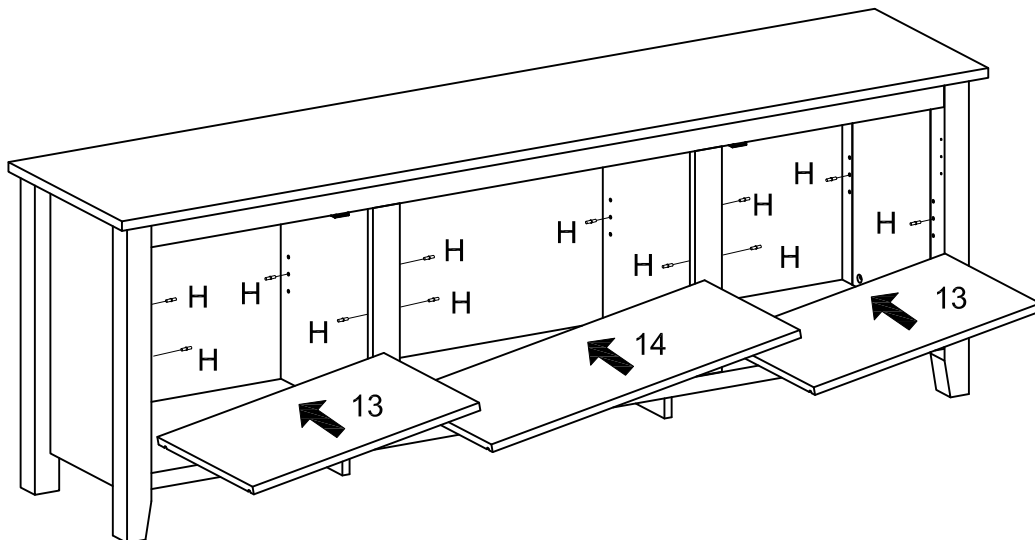
Attach plastic wedge (E) to part (11,12) using screw (F) with screwdriver.

## Step 15



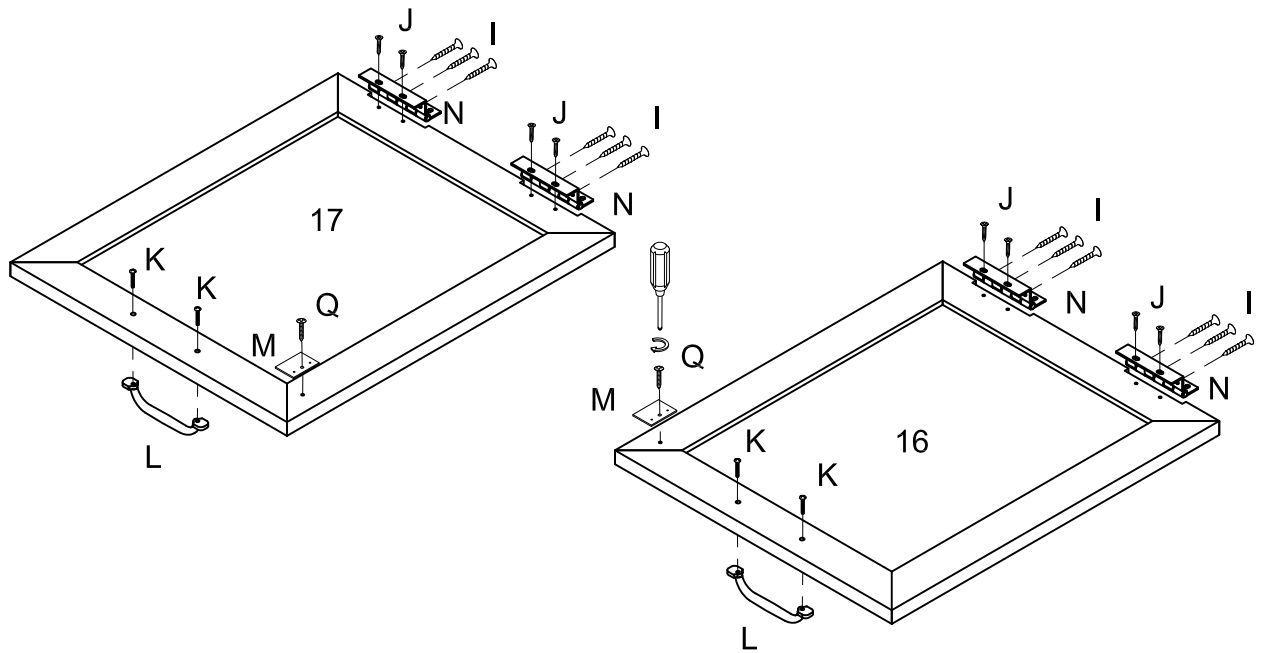
Place sticker (D) over holes as per diagram.

## Step 16



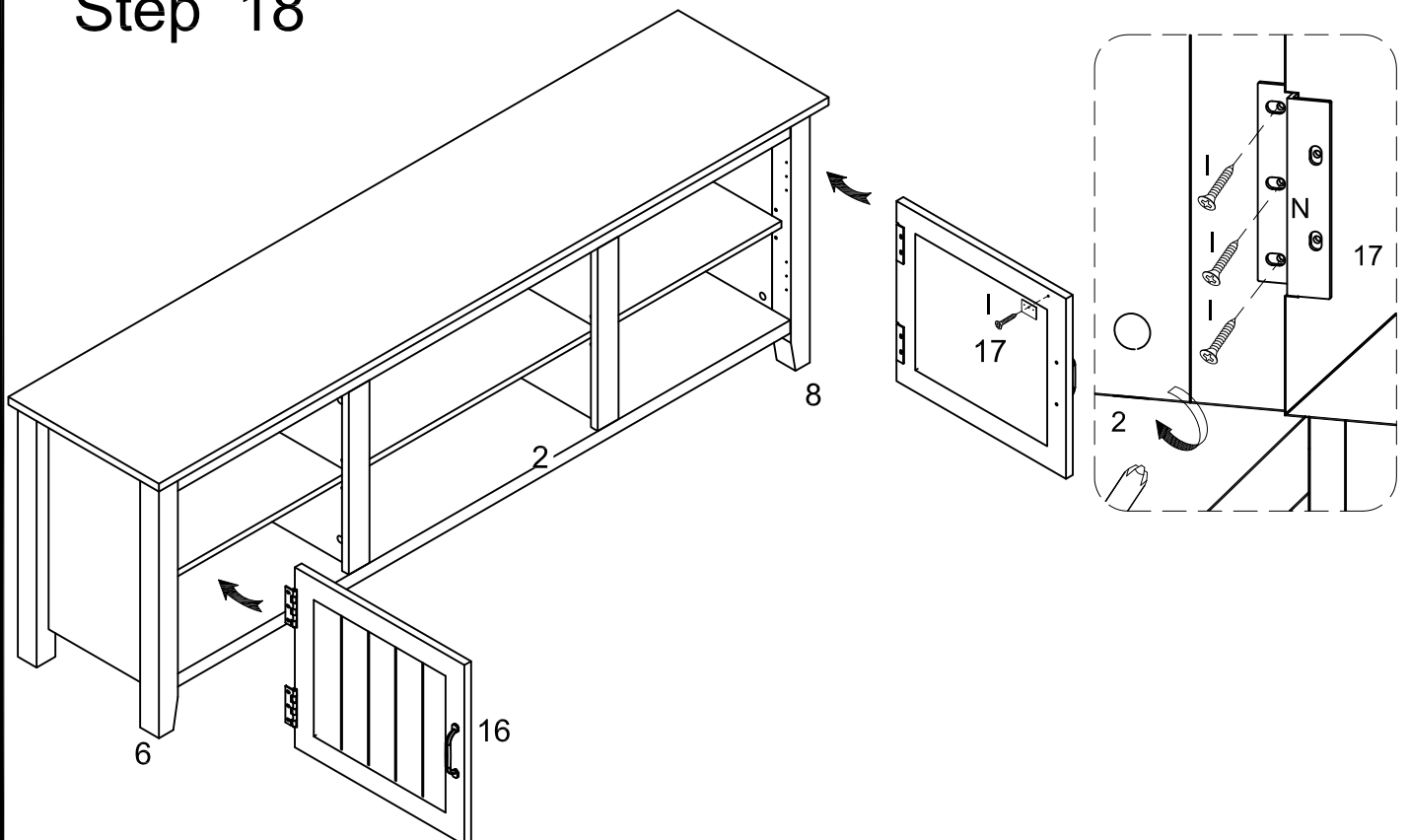
Insert shelf support pin (H) into side panel (3,4,5), then place part (13,14) on top of support pin (H).

# Step 17



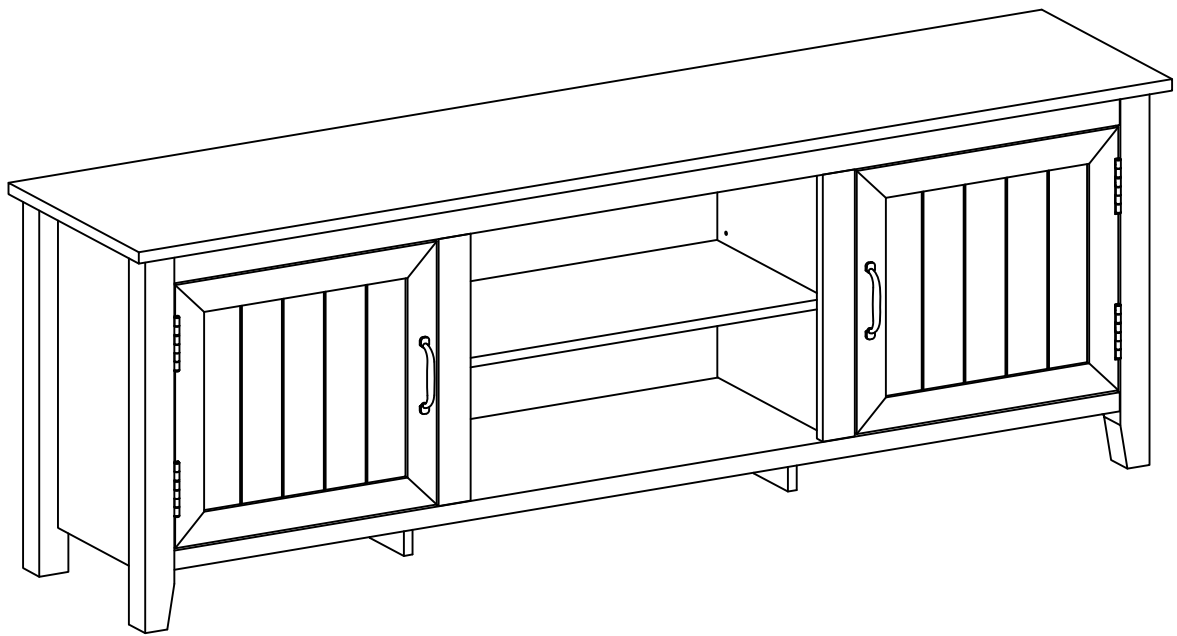
Attach hinge (N) to part (16,17) using screw (I,J), handle (L) using bolt (K), and door plate (M) using screw (Q) with screwdriver.

# Step 18



Attach part (16,17) to part (3) to secure hinge (N) using screw (I) with screwdriver.

# Step 19



Final Assembly