

# ASSEMBLY INSTRUCTIONS

## TV CONSOLE W/GLASS DOORS

MODEL No. CAL149-228/ 24078239

**Important:** Be sure to check all packing material carefully for small parts which may come loose inside carton during shipment. Separate, identify and count all parts and metal hardware.

Compare with parts list and hardware illustrations to be sure all parts are present. If any part(s) is missing or damage, contact your dealers customer services department. For efficient and fast service, please indicate the model number and the parts needed.

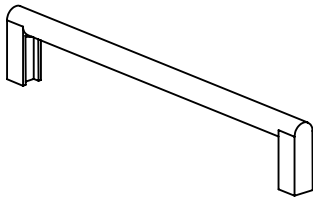
**ATTENTION:** Some lettered parts listed on the instruction sheets may not be in the parts bag, they may already be assembled.

### TOOLS REQUIRED

(Not included)  
Phillips Screwdriver

### HARDWARE:

BAR PULL  
Part No. **HBJ-0726**  
(4 Pcs) **INSTALLED**



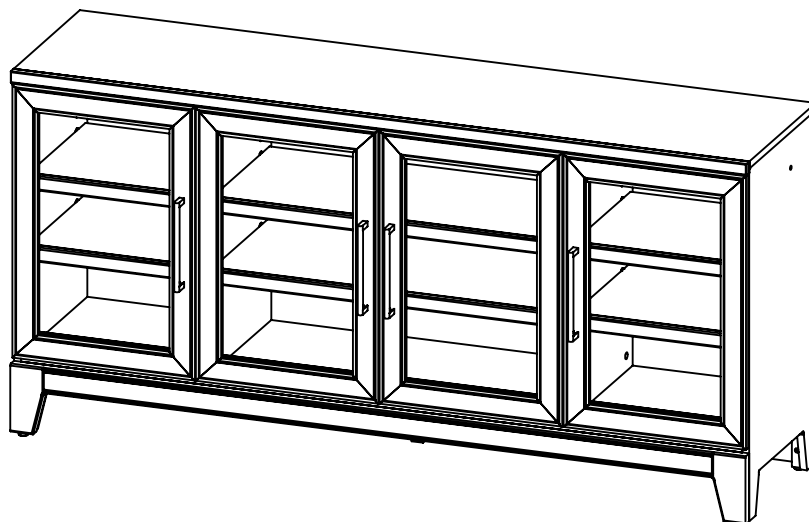
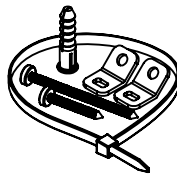
BOLT CH. TRUSS 8 x 32 x 1"  
Part No. **HCPP-07**  
(8 Pcs) **INSTALLED**



10MM HOLE PLUG BLACK  
Part No. **HCPH-T**  
(2 Pcs) **INSTALLED**

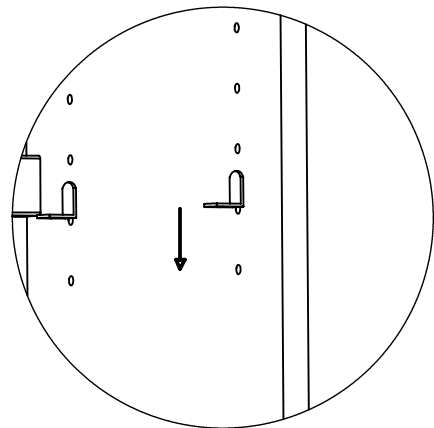
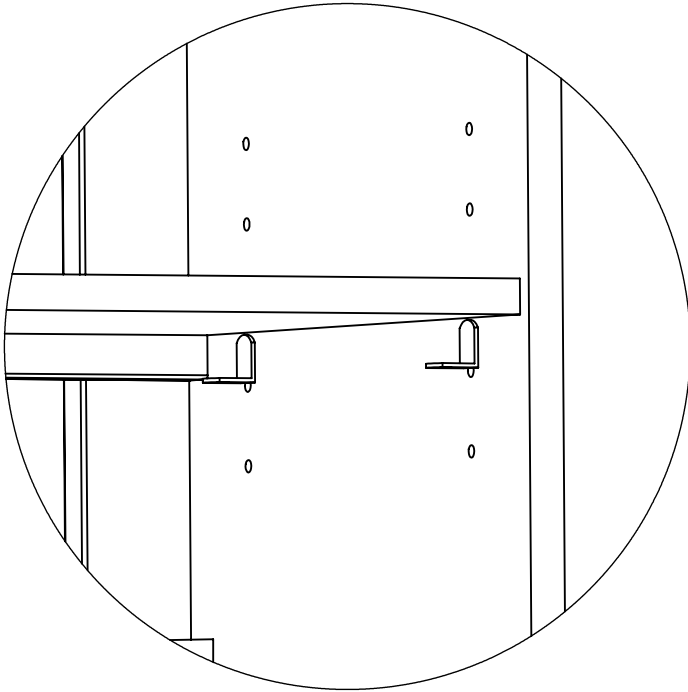


ANTI-TIPPING KIT UV RESISTANT  
Part No. **HB-65UV**  
(1 Pc)

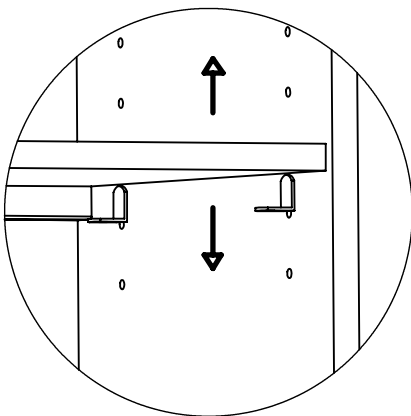


# INSTRUCTIONS SHEET

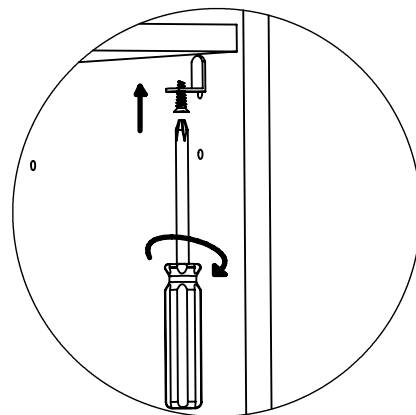
## ADJUSTABLE WOOD SHELF



**STEP 1.**



**STEP 2.**



**STEP 3.**

# Warning Advertencia Avertissement

## WARNING INSTALL FURNITURE TIPPING RESTRAINT KIT

### ANTI-TIP

#### Installation instructions:

This tip restraint must be attached to wall stub using 2" screw enclosed

1. Attach a bracket securely to the back top rail of the furniture using the 5/8" screw provided through the smaller hole.
2. Locate the other bracket on the wall over the wall stud and 2 inches below the mounting bracket secure to the back of your unit. Attach to the wall stud using the 2" screw provided, through the smaller hole.
3. Place the furniture into position so both mounting brackets are vertically in line
4. Lace the end of the restraint strap through the larger hole in each mounting bracket. Bring both ends together and slide the flat end through the locking end and flat draw it through until all slack is removed.
5. Confirm that the strap is securely laced and latched.

#### Instrucciones de instalacion:

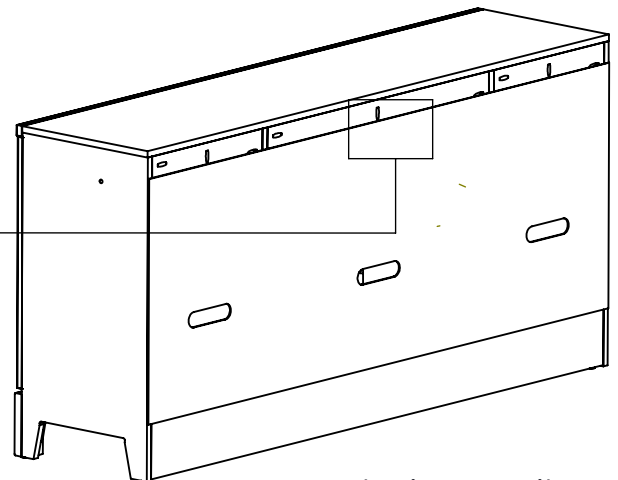
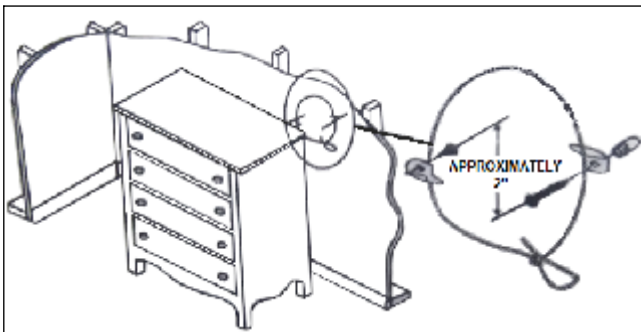
Este seguro contra volcado debe fijarse a un taco de pared con el tornillo de 2" que se incluye.

1. Coloque un soporte firmemente en la parte superior trasera del mueble ,usando el tornillo 5/8" que se proporciona y el agujero mas pequeño
2. Ubique el otro soporte en la pared sobre un taco y 5cm (2pulg.) por debajo del soporte de montaje asegurado en la parte bracera de la unidad .Fije al taco de pared usando el taco de 2" que incluye y el agujero mas pequeño .
3. Coloque el mueble en el sitio, de modo de modo que los dos soportes estén en una línea vertical.
4. Pase el extremo de una cinta de sujeción por el agujero más grande en cada soporte de montaje, una los dos extremos y deslice el extremo plano por el lado del cierre, hasta que quede tenso.
5. Confirme que la cinta este bien asegurada.

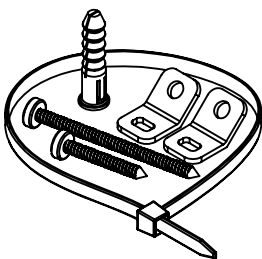
#### Instructions d` installation:

Ce dispositif de sécurité doit être fixé au montai d` un mur a` l` aide de la vis de 5cm (2 po) fournie

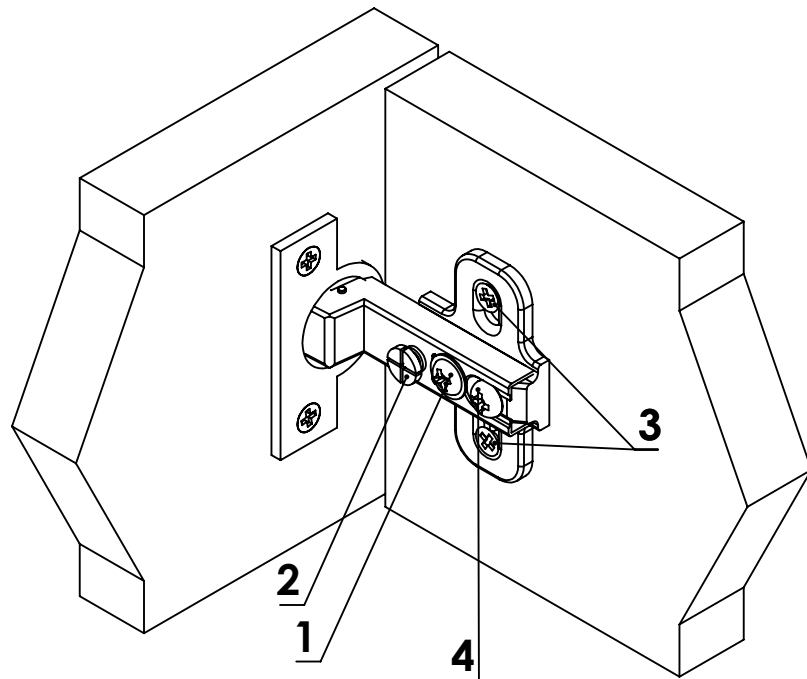
1. fixer solidement un support a` la traversé supérieure du meuble, en passant la vis de 1,6cm (5/8 po) dans le plus petit trou.
2. placer l` autre support sur un montant du mur, a` environ 5cm (po) plus bas, par rapport au premier support de fixation, fixer ce support en passant la vis de 5cm (2 po) fournie dans le plus petit trou.
3. positionner le meuble afin d` aligner verticalement les deux supports de fixation
4. passer l` extrémité de i` attache dans les plus grands trous des deux supports. Joindre les extrémités insérer l` extrémité plate dans le dispositif de blocage puis tirer au maximum pour desserrer.
5. vérifier que l` attache est solidement fixée et bloquée.



Back View Furniture



ANTI-TIPPING KIT UV  
RESISTANT **HB-65UV**



## Directions of Adjusting Euro Style Hinges

### **1.- PLEASE REMOVE SHIPPING SCREW. #1**

### **2.- LATERAL ADJUSTMENT**

- a) Loosen screw #4 slightly.
- b) Turn screw #2 to move door left or right.
- c) Re-tighten screw #4.
- d) Adjust all hinges accordingly.

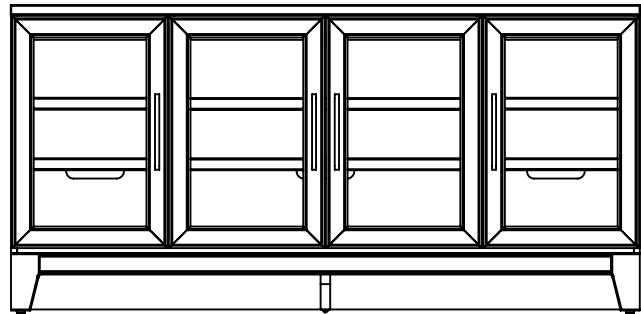
### **3.- VERTICAL ADJUSTMENT**

Loosen screws #3 to move door up or down, then tighten securely.

## MAXIMUM RECOMMENDED WEIGHT LOADS

MANUFACTURER: Oak Furniture West  
ADDRESS: Olay Mesa Ca. 92154  
CATALOG: TV CONSOLE W/GLASS  
DOORS  
MODEL: CAL149-228 /24078239

Fits most 65" flat panel tvs. Maximum load 90 lbs.



Maximum shelf load 25 lbs.

**⚠ WARNING** THIS UNIT IS NOT INTENDED FOR USE WITH CRT TVs. USE ONLY WITH FLAT PANEL TVs AND AUDIO/VIDEO EQUIPMENT MEETING THE RECOMMENDED WEIGHT AND SIZE LIMITS. NEVER USE WITH LARGER/HEAVIER TV'S OR EQUIPMENT THAN RECOMMENDED. TO AVOID INSTABILITY, PLACE FLAT PANEL TV IN THE CENTER OF THE UNIT. THE BASE OF THE TELEVISION MUST BE ABLE TO REST ON THE SUPPORTING SURFACE OF THE UNIT WITHOUT OVER-HANGING THE EDGES. IMPROPERLY POSITIONED FLAT PANEL TVs OR FLAT PANEL TVs INCLUDING OTHER EQUIPMENT THAT EXCEED THE RECOMMEND SIZE AND WEIGHT LIMITS COULD FALL OFF OR BREAK THE UNIT, CAUSING POSSIBLE SERIOUS INJURY. FOR USE WITH TVs WEIGHING LESS THAN **90 LBS (40KG)** OR LESS. USE WITH HEAVIER TELEVISIONS MAY RESULT IN INSTABILITY CAUSING A TIP OVER RESULTING IN DEATH OR SERIOUS INJURY.


## Care and Maintenance

- Use a soft, clean cloth that will not scratch the surface when dusting.
- Use of furniture polish is not necessary. Should you choose to use polish, test first in an inconspicuous area.
- Using solvents of any kind on your furniture may damage your furniture's finish.
- Never use water to clean your furniture as it may damage the finish.
- Always use coasters under beverage glasses and flowerpots.
- Liquid spills should be removed immediately. Using a soft, clean cloth, blot the spill gently. Avoid rubbing.
- Always use protective pads under hot dishes and plates. Heat can cause chemical changes that may create spotting within the furniture finish.
- In the event that your furniture is stained or otherwise damaged during use, we recommend that you call a professional to repair your furniture.
- Check bolts/screws periodically and tighten them if necessary.

## Further Advice about Wood Furniture Care

It is best to keep your furniture in a climate-controlled environment. Extreme temperature and humidity changes can cause fading, warping, shrinking and splitting of wood. It is advised to keep furniture away from direct sunlight as sun may damage the finish.

Proper care and cleaning at home will extend the life of your purchase. Following these important and helpful tips will enhance your furniture as it ages.

<b>⚠ WARNING</b>	
	<p><b>Children have died from furniture tip-over.</b></p> <p><b>To reduce the risk of furniture tip-over:</b></p> <ul style="list-style-type: none"><li>• ALWAYS install tip-over restraint provided.</li><li>• FOR use with televisions weighing 90 lbs / 40 kg or less. Use with heavier televisions may result in instability causing tip-over resulting in death or serious injury</li><li>• NEVER allow children to stand, climb or hang on drawers, doors, or shelves.</li><li>• NEVER open more than one drawer at a time.</li><li>• Place heaviest items in the lowest drawers.</li></ul> <p><b>Use of tip-over restraints may only reduce, but not eliminate, the risk of tip-over.</b></p>

# **WARNING**

**Please use your furniture correctly and safely. Improper use can cause safety hazards, or damage to your furniture or household items. Carefully read the following safety information.**

## **TV Console Weight Specifications:**

- The maximum weight for the TV on the Console top is: 90 Lbs.
- The maximum weight for the shelves is: 25 Lbs.

## **TV Console Width Specifications:**

- The maximum width of the television intended to be used with this media unit is: 65 Inches.

## **Safety Alert Information:**

• "**WARNING** - Death or serious injury may occur when children climb on audio and/or video equipment furniture. A remote control or toys placed on the furniture may encourage a child to climb on the furniture and as a result the furniture may tip over onto the child."

## **Safety Alert Information:**

"**WARNING** - Relocating audio and/or video equipment to furniture not specifically designed to support audio and/or video equipment may result in death or serious injury due to the furnishing collapsing or overturning onto the child."

## **Safety Alert Information:**

**Overloading Drawers and shelves may result in furniture that can break, sag, or tip over. This can result in injury.**

**Never** exceed the weight limits shown.

**Always** place heavier items on lower shelves as far back from the front as possible.

**Safety Alert Information:**

Moving furniture that is not designed to be moved or equipped with casters may result in injury or damage to furnishings and/or personal property.

**Always** unload shelves and drawers, starting with top surfaces, before moving.

**Never** push or pull furniture on carpet. Have a second person help lift properly to move and/or reposition furniture.

**TV Placement on the console:**

"Always place TV no more than two inches from the back edge of the console. Placing TV more than two inches from the back edge may increase the risk that the console will tip over"

MANUFACTURER: Oak Furniture West  
ADDRESS: Olay Mesa Ca. 92154  
CATALOG: TV CONSOLE W/GLASS  
DOORS  
MODEL: CAL149-228 / 24078239