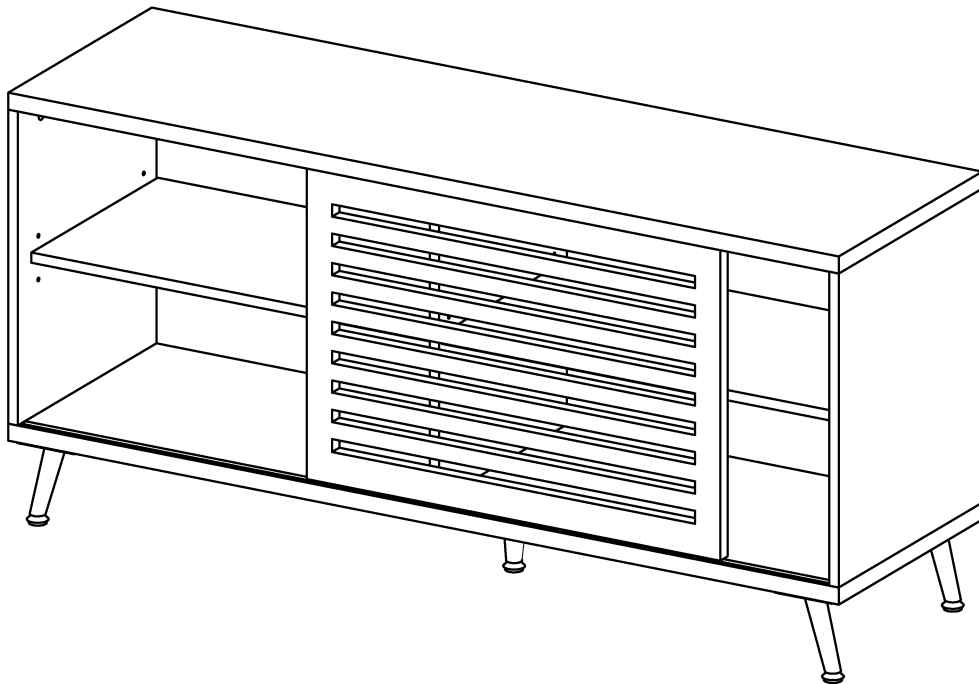


Item # : W52BOSD
Assembly Instructions

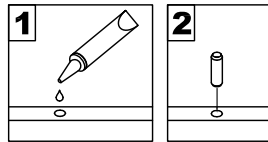


Please visit our website for the most current instructions, assembly tips, report damage, or request parts. www.walkeredison.com

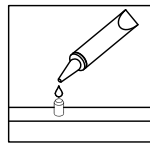
Revised 12/2017

General Assembly Guidelines

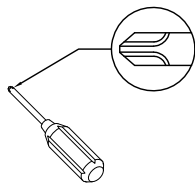
- I. Ensure that all parts and hardware are available before beginning assembly.
- II. Follow each step carefully to ensure the proper assembly of this product.
- III. Two people are recommended for ease in the assembly of this product.
- IV. The three main types of hardware used to assemble this product are : wood dowels , screws and bolts.
- V. The provided glue is to secure wood dowels in place . When first inserting dowels , locate the appropriate hole for the dowel , place a small amount of glue in the hole and insert the dowel . Wipe away excess glue immediately.



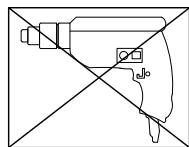
In future assembly steps when dowels are necessary to attach assembly parts together , place a small amount of glue on the end of the dowel before attaching parts together . Wipe away excess glue immediately.



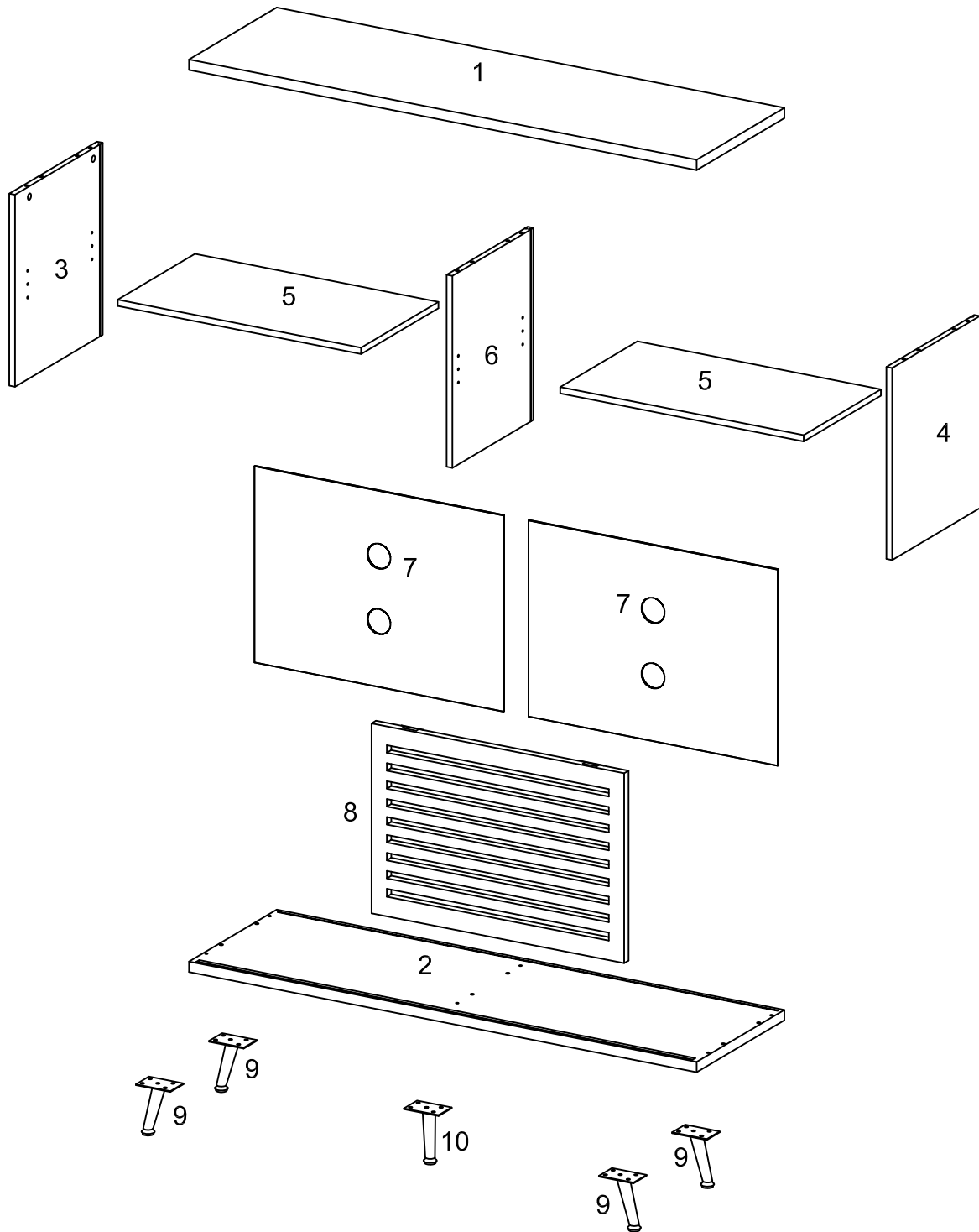
- VI. A Phillips head screwdriver is required for the assembly of this product .




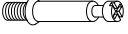

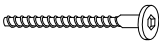
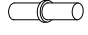

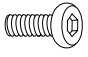
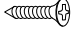


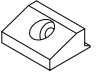
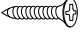


- VII. Power tools should not be used to assemble this product .

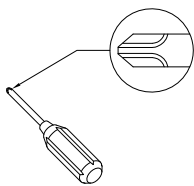


Parts List



Hardware List

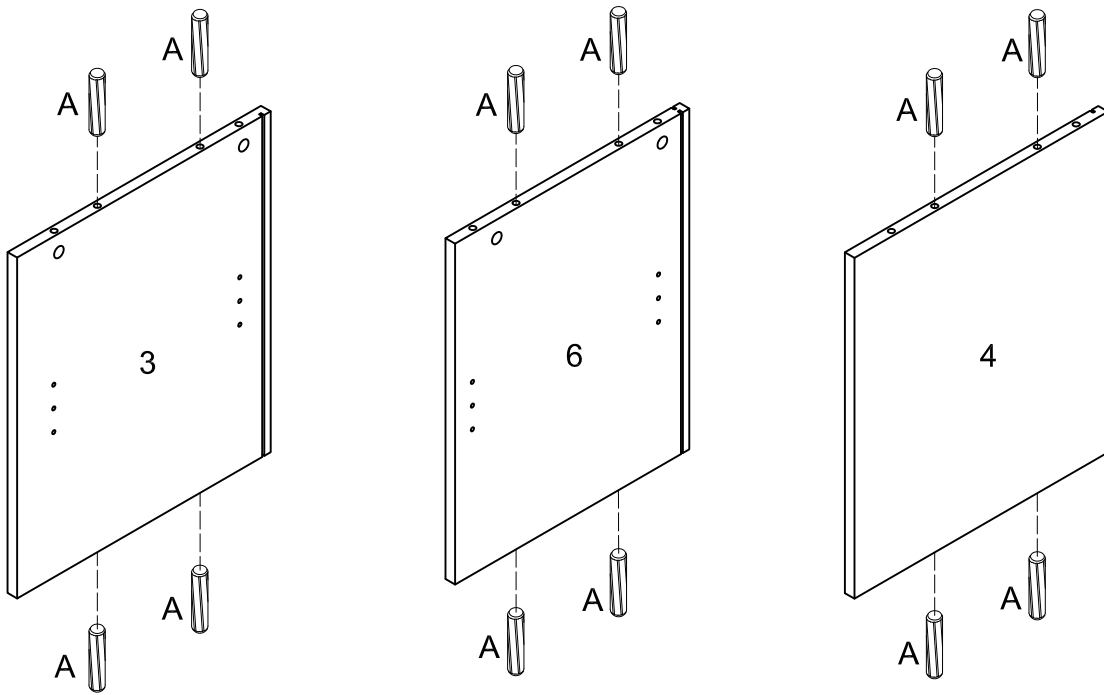
A		Ø8x30mm	Wooden dowel	12 pcs
B		Ø6x35mm	Cam bolt	6 pcs
C		Ø15x11mm	Cam lock	6 pcs
D		Ø6x50mm	Bolt	6 pcs
E		Ø8x5x16mm	Shelf support pin	8 pcs
F		M4	Wrench	1 pc
G		Ø6x12mm	Screw	20 pcs
H		Ø3x12mm	Screw	16 pcs
J		Ø30	Sticker	6 pcs
K			Glue tube	1 pc
M			Plastic wedge	8 pcs
N		Ø3x17mm	Screw	8 pcs
P			Hinge	2 pcs
Q			Hinge	2 pcs



Philips head screwdriver required for assembly
(not included)

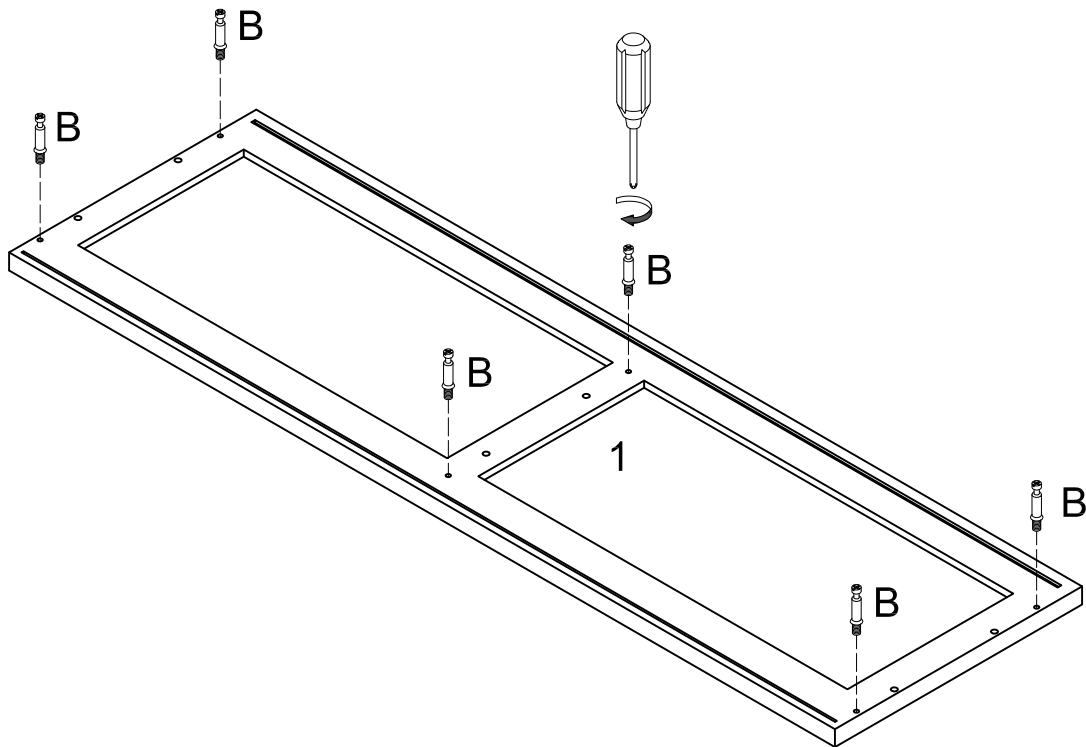
*The hardware quantities listed above are required for proper assembly.
Some extra hardware may also have been included.*

Step 1



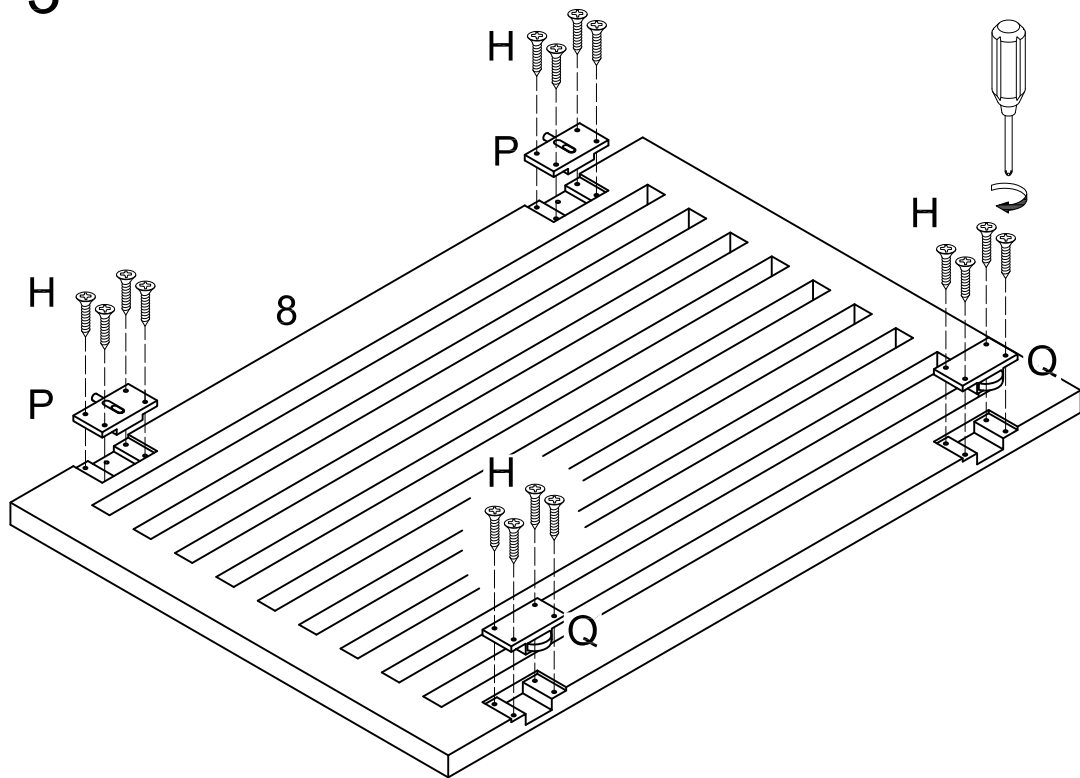
Insert wooden dowel (A) into side panel (3,4,6).

Step 2



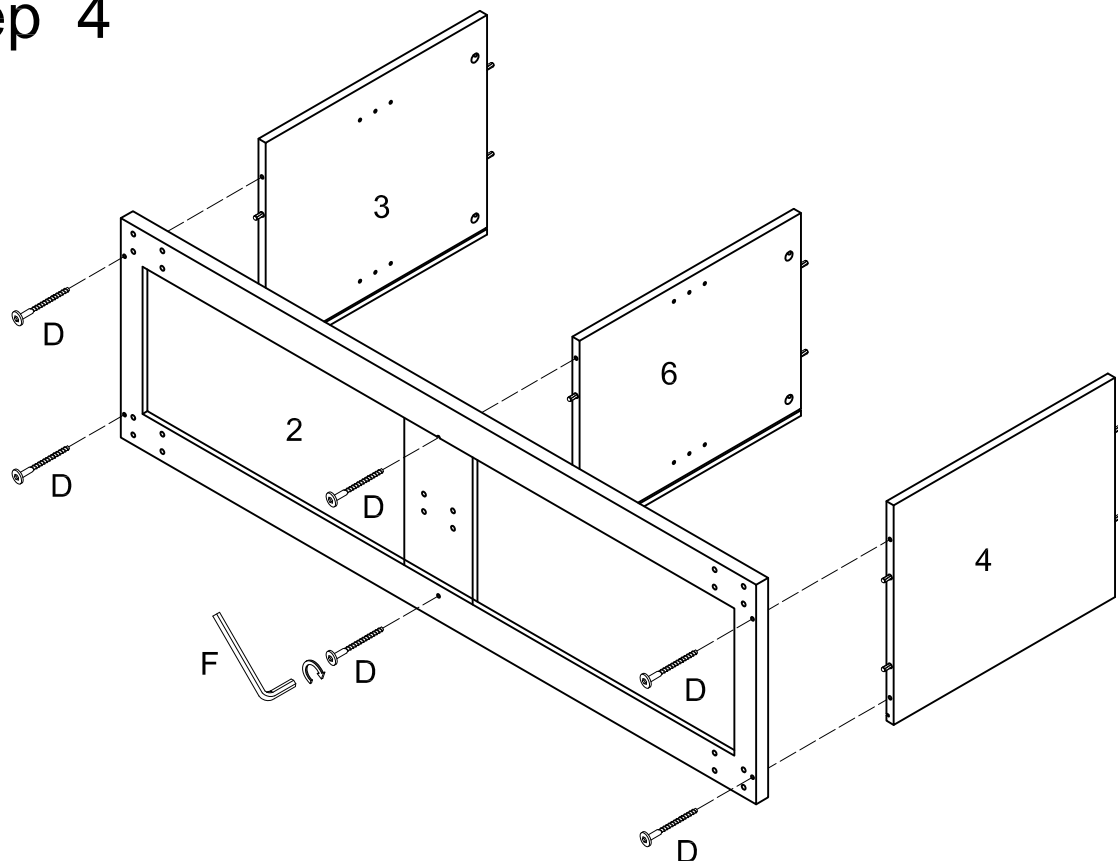
Secure cam bolt (B) to top panel (1).

Step 3



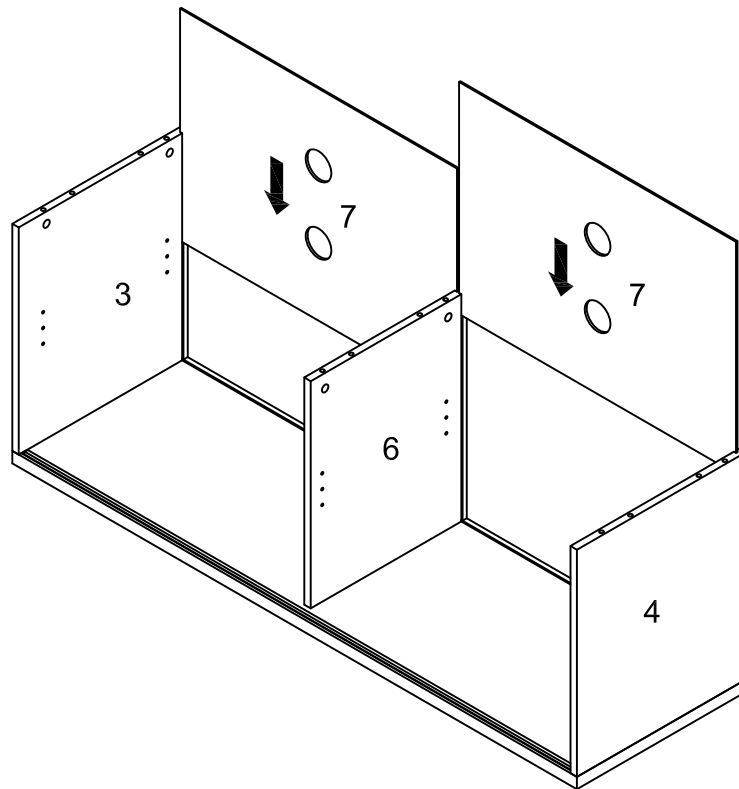
Secure hinge (P,Q) to door (8) with screw (H).

Step 4



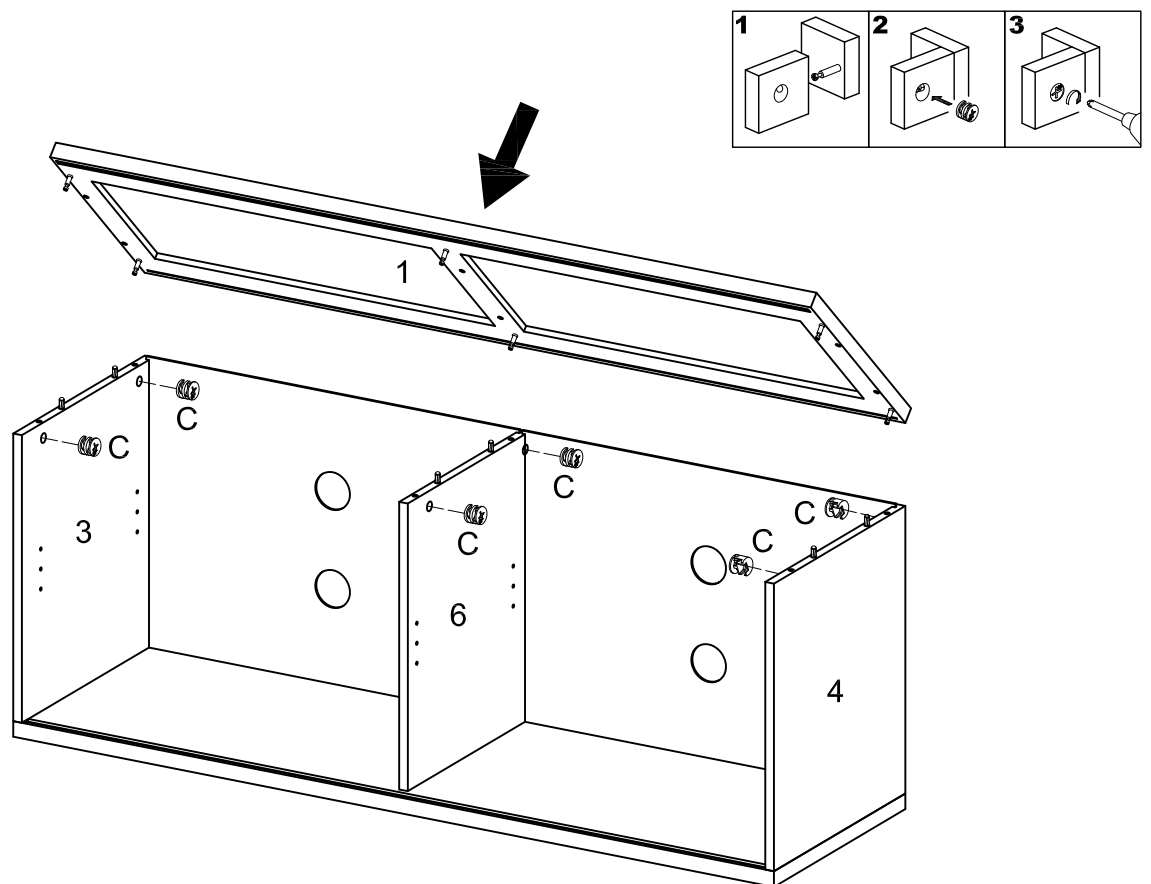
Insert side panel (3,4,6) into bottom panel (2), use wrench (F) to secure them with bolt (D).

Step 5



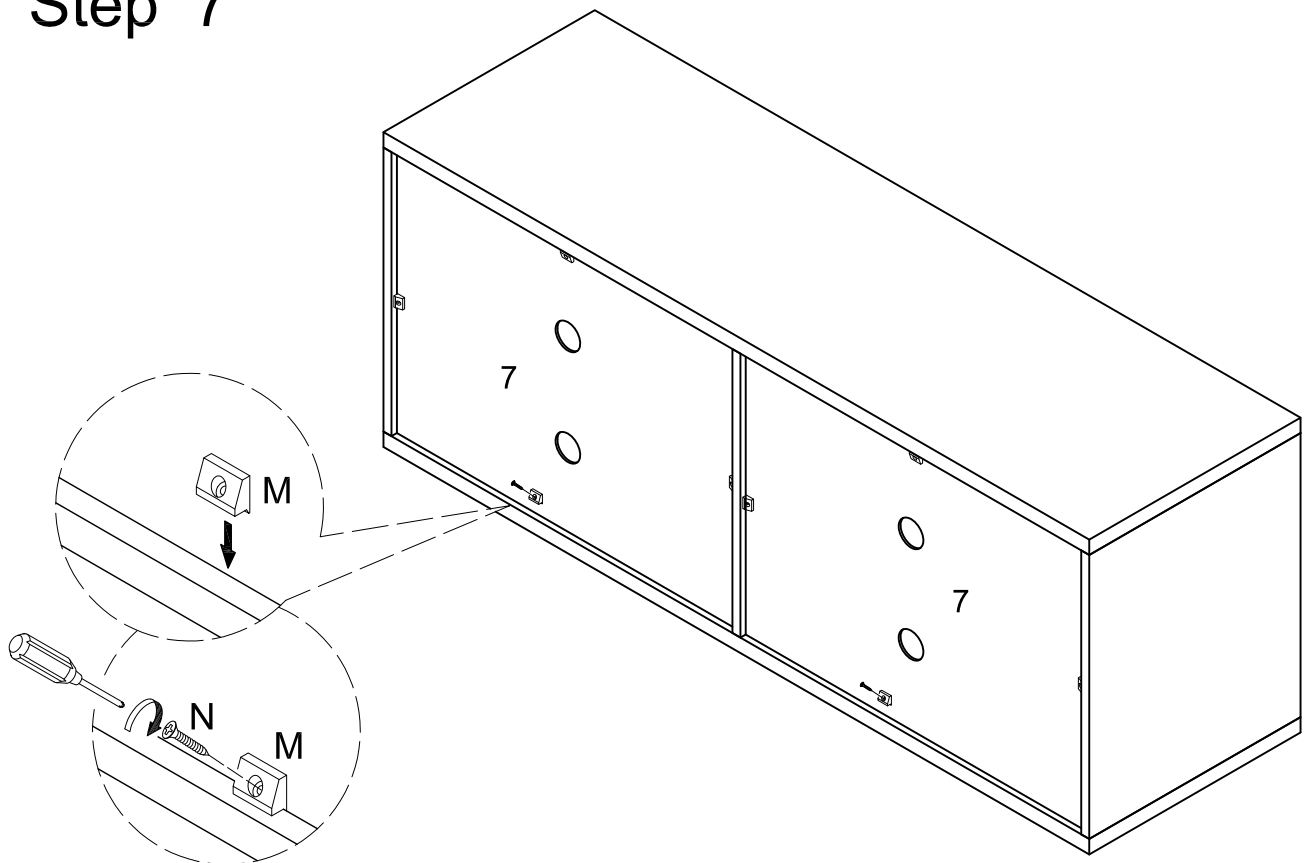
Slide back panels (7) into grooves.

Step 6



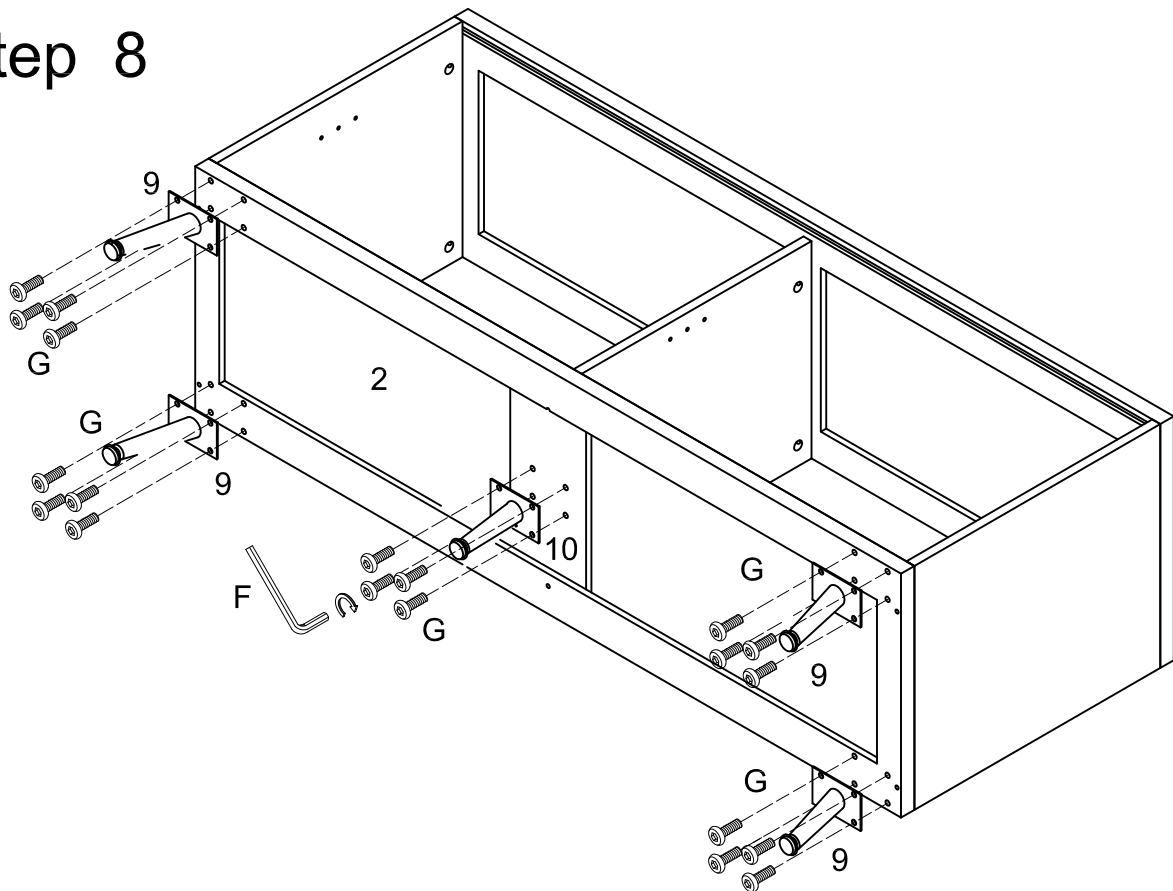
Insert top panel (1) into side panel (3,4,6), then insert and secure cam lock (C) to side panel (3,4,6) to lock it.

Step 7



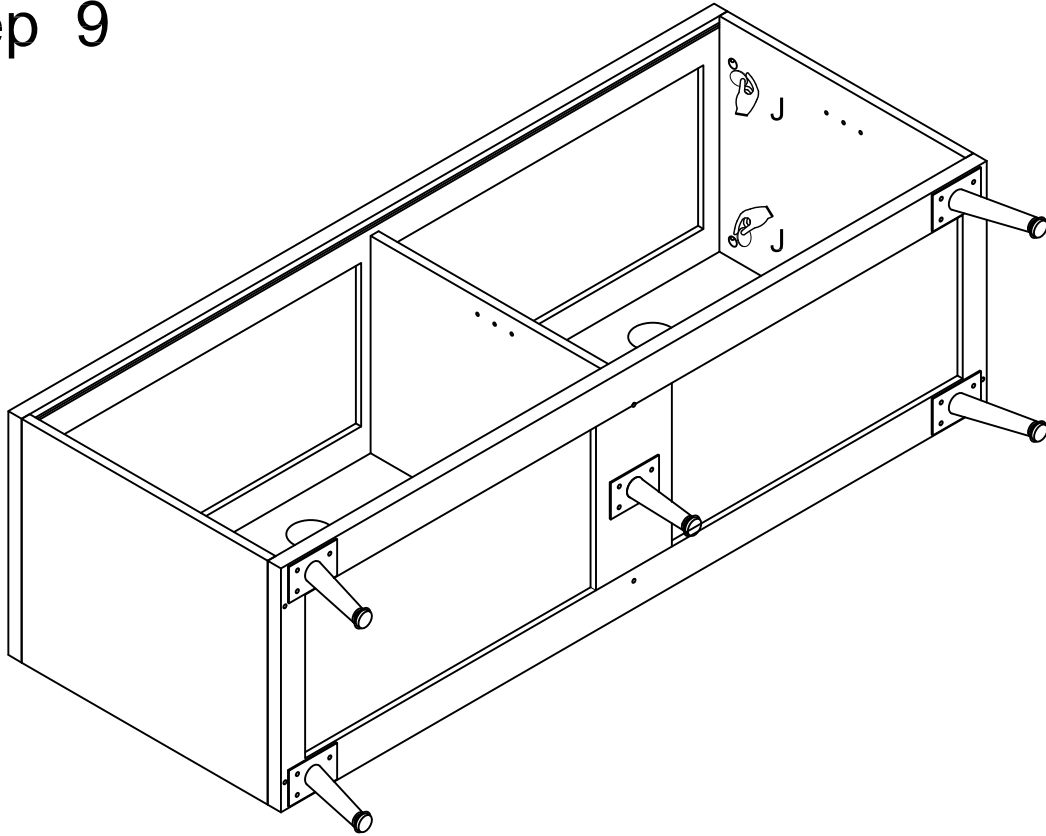
Secure plastic wedge (M) to back panel (7) with screw (N).

Step 8



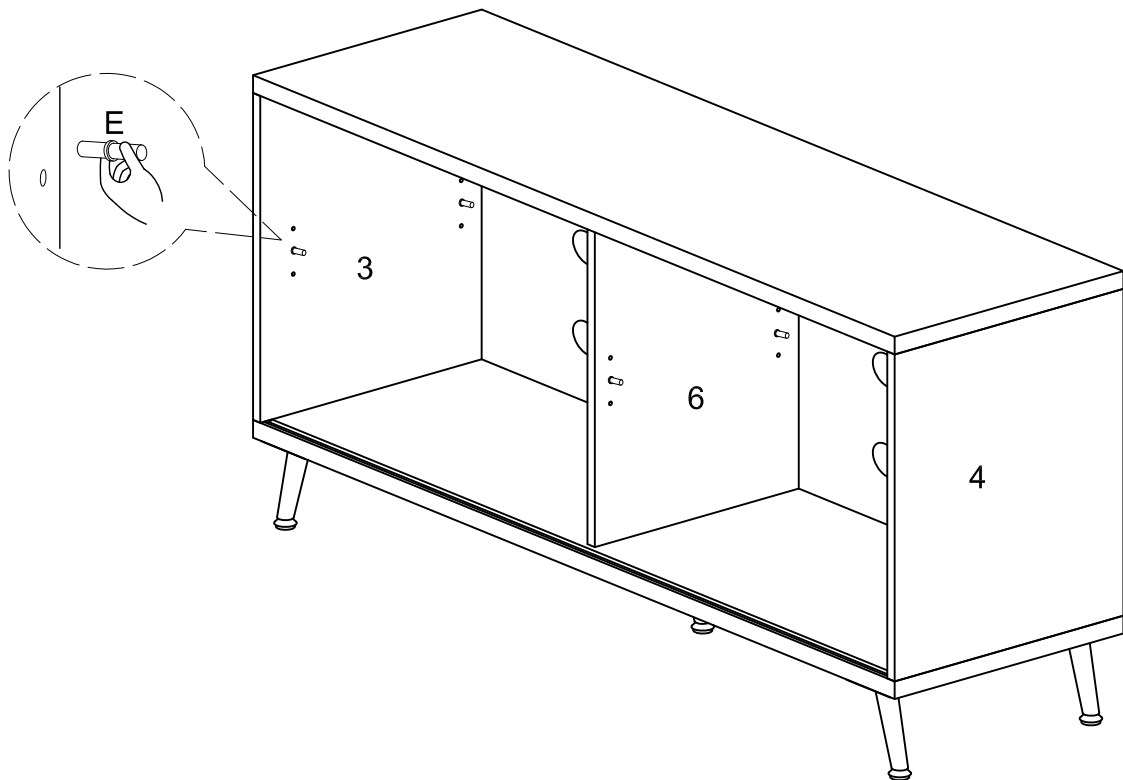
Use wrench (F) to secure legs (9,10) to bottom panel (2).

Step 9



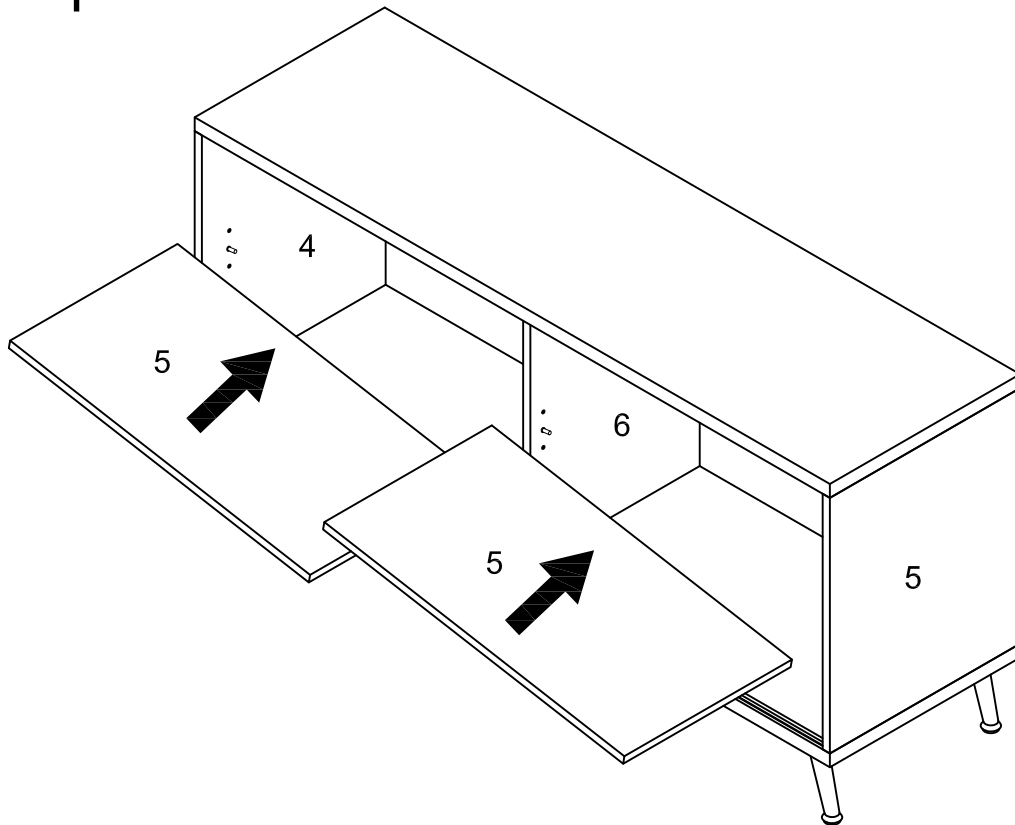
Place sticker (J) over holes as per diagram.

Step 10



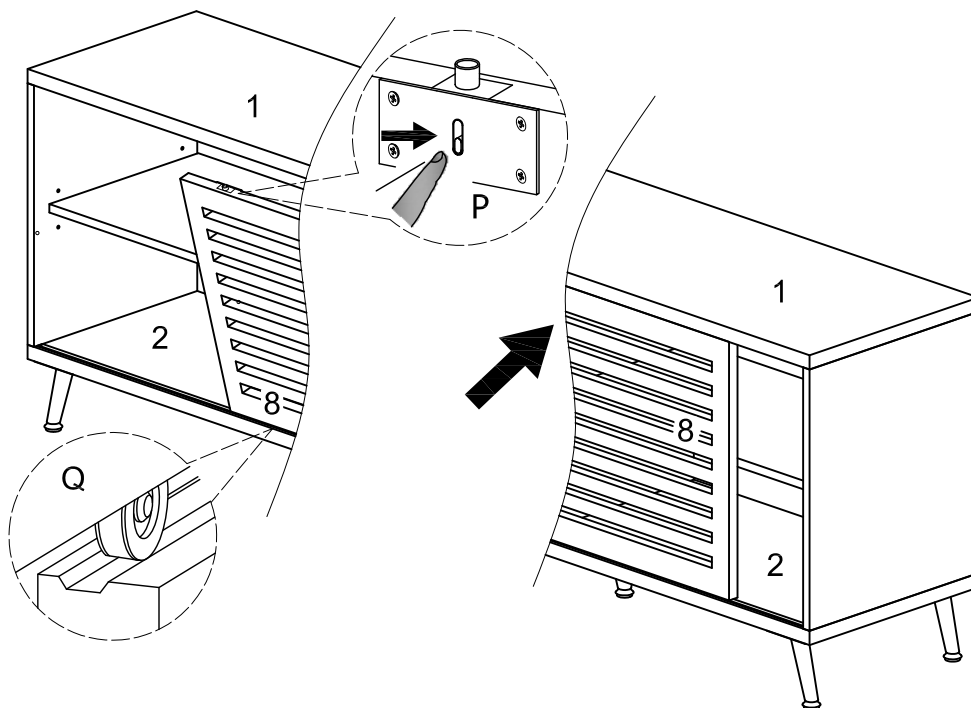
Assemble shelf support pin (E) to side panel (3,4,6).

Step 11



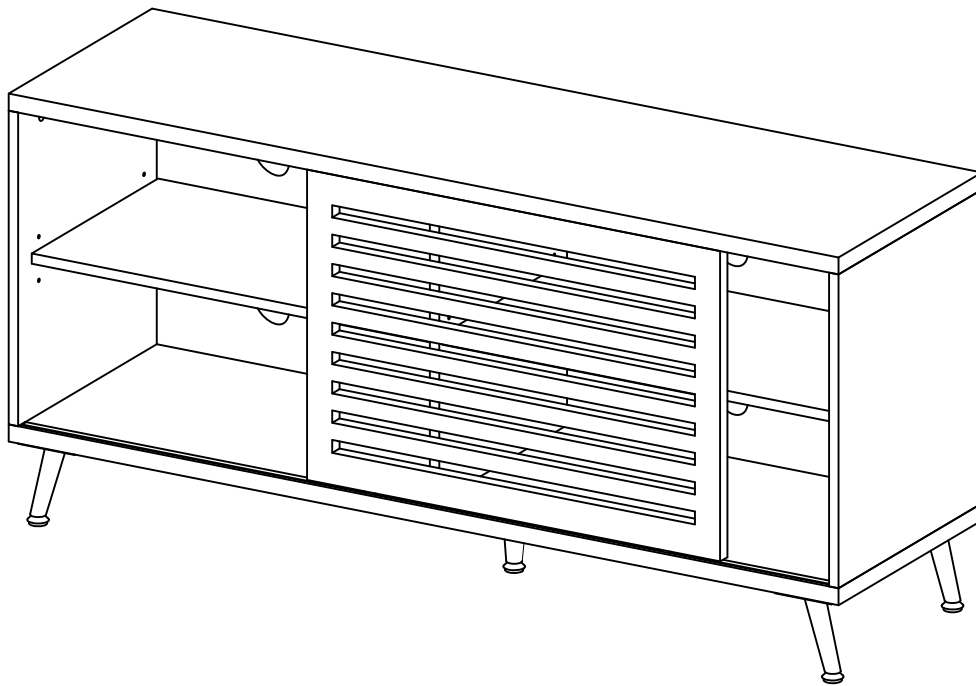
Place shelf (5) on top of support pin.

Step 12



Place door caster into grooves, then press the door lock and click into holes to hold the door.

Step 13



Final Assembly