

PARTS LIST / LISTE DES PIÈCES / LISTA DE PIEZAS

ITEM NO. / ARTICLE NO. / ARTICULO NO : D281-009

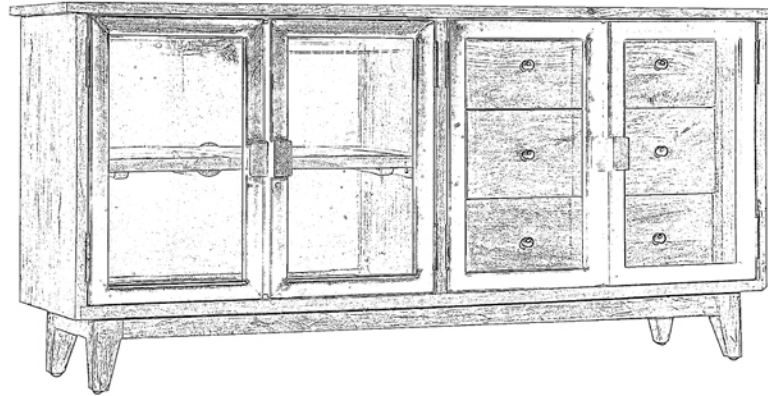
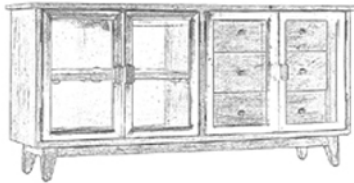
DESCRIPTION / DESCRIPCIÓN : Console/Consola /Console

This product is not designed as a clothing unit and HAS NOT BEEN ASTM F2057-17 tested (tip test)



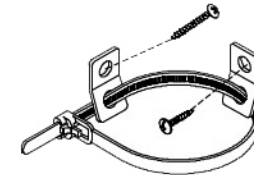
Serious or fatal injuries can occur from furniture tip-over. We have provided a tip-restraint for your safety. Please install immediately and follow the guidelines below:

- Place heavier items in bottom drawers.
- Do not set heavy items, including TVs on top of product unless product specifically allows.
- Do not allow children to climb on product, including doors, shelving and drawers.
- Open drawers individually.



A

X1 Console
X1 Consola
X1 Console



B

x1 Furniture Tipping Restraint
x1 Systeme antibasculement
x1 Control para evitar vulcos

* Replaceable Part

ASSEMBLY INSTRUCTIONS / NOTICE DE MONTAGE / INSTRUCCIONES DE MONTAJE

ITEM NO. / ARTICLE NO. / ARTICULO NO : D281-009

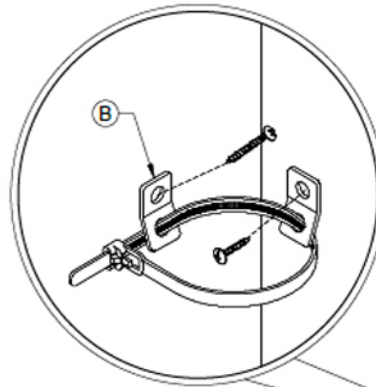
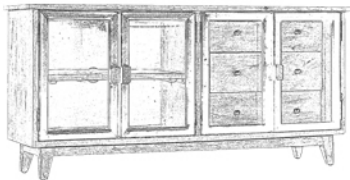
DESCRIPTION / DESCRIPCIÓN : Console/Consola/Console

This product is not designed as a clothing unit and HAS NOT BEEN ASTM F2057-17 tested (tip test)

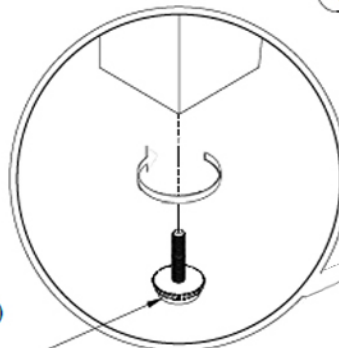


Serious or fatal injuries can occur from furniture tip-over. We have provided a tip-restraint for your safety. Please install immediately and follow the guidelines below:

- Place heavier items in bottom drawers.
- Do not set heavy items, including TVs on top of product unless product specifically allows.
- Do not allow children to climb on product, including doors, shelving and drawers.
- Open drawers individually.



Wall
Mur
Pared



Adjustable leveler (4pcs)
Patin réglable (×4)
Nivelador ajustable(x4)

adjustable levelers are pre-installed
les niveleurs réglables sont préinstallés
niveladores ajustables están preinstalados

* Replaceable Part