


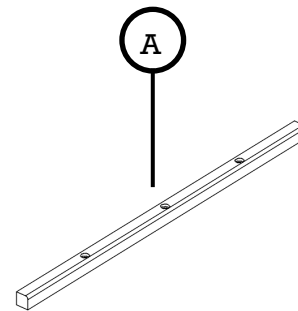
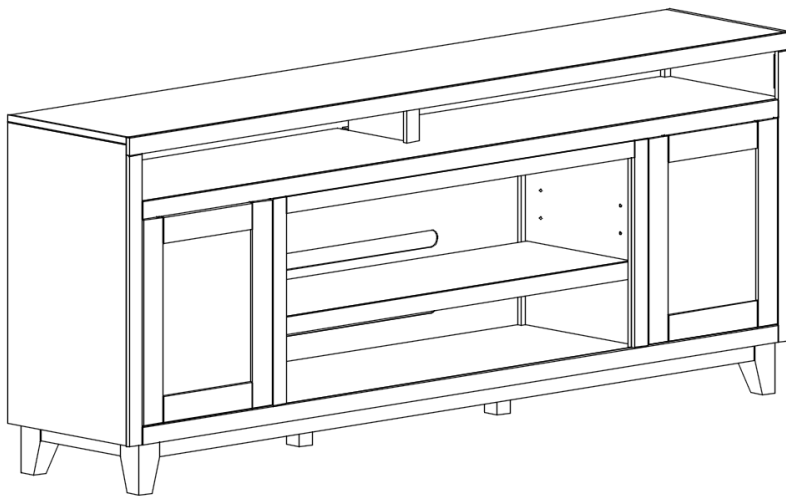
# ASSEMBLY INSTRUCTIONS FOR ADDING OPTIONAL FIREPLACE INSERT

VER80FPC-ABWHT-BRM-BRSG 80" FIREPLACE READY CONSOLE **SKU**  
 24165830  
 24166832  
 24164838

COMPONENT LIST		
FIREPLACE READY CONSOLE		
NO.	DESCRIPTION	QTY.
A	5/8"x5/8"x30" CLEAT	1

**SCREW DRIVER NOT  
INCLUDED**

HARDWARE LIST IN FIRE PLACE CONSOLE		
NO.	DESCRIPTION	QTY.
1	HT81 6 x 1" FH SINKER SCREW 	3



## HARDWARE PART LOCATION:

THE CLEAT AND SCREWS ARE LOCATED ON THE CENTER ADJUSTABLE SHELF.

# ASSEMBLY INSTRUCTIONS FOR ADDING OPTIONAL FIREPLACE INSERT

VER80FPC-ABWHT-BRM-BRSG 80" FIREPLACE READY CONSOLE

SKU  
24165830  
24166832  
24164838

STEP 1: REMOVE BACK PANEL BY SLIDING UP AND REMOVE THE ADJUSTABLE SHELF. (FIG 1).

STEP 2: INSERT FIREBOX AND ADJUST CLEAT (A) AND INSERT SCREWS (1). (FIG 2).

STEP 3: REPLACE BACK PANEL. (FIG. 3)

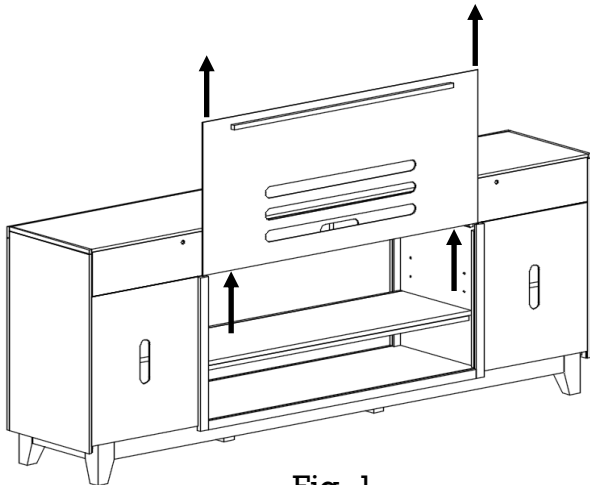


Fig. 1

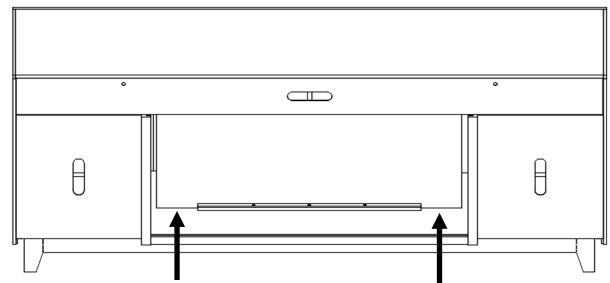


Fig. 2

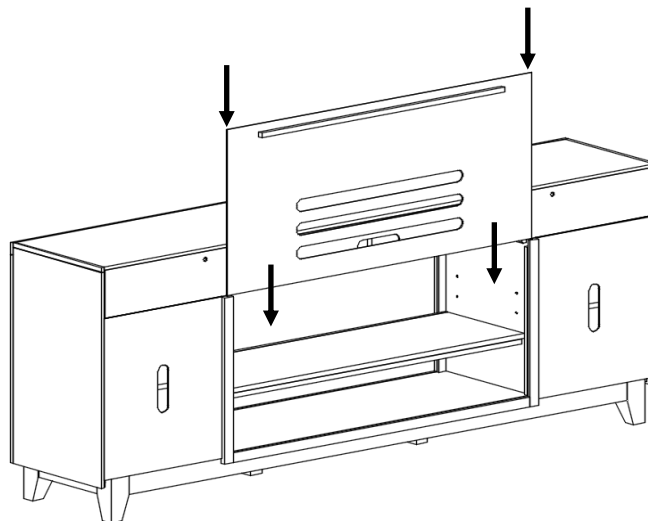


Fig. 3

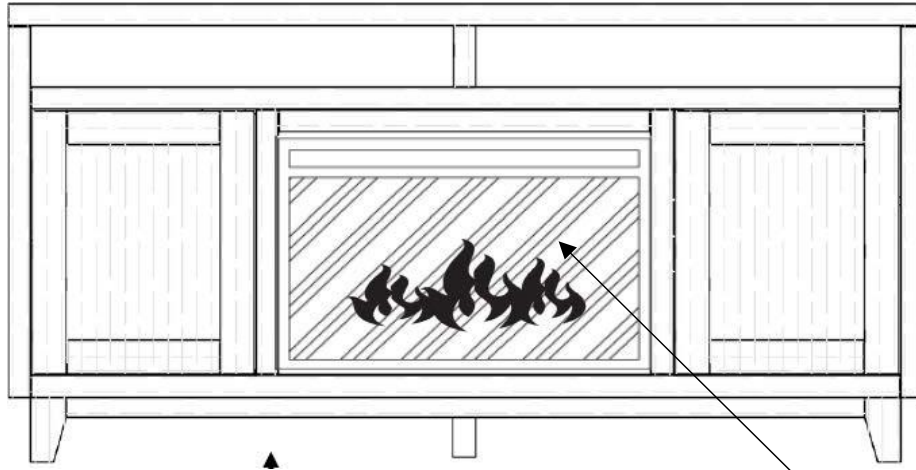
## MAXIMUM RECOMMENDED WEIGHT LOADS

MANUFACTURER: Whalen LLC

1578 Air Wing Road San Diego CA 92154

CATALOG: VERONA 80" Fireplace Ready Console

MODEL: VER80FPC-BRM/ABWHT/BRSG



FITS UP TO MOST

85" (DIAGONAL) FLAT  
PANEL TV's MAXIMUM  
LOAD 80 LBS.

MAXIMUM LOAD 50 LBS

### **WARNING**

THIS UNIT IS NOT INTENDED FOR USE WITH CRT TVS. USE ONLY WITH FLAT PANEL TVS AND AUDIO/VIDEO EQUIPMENT MEETING RECOMMENDED SIZE AND WEIGHT LIMITS. NEVER USE WITH LARGER/HEAVIER THAN RECOMMENDED FLAT PANEL TVS OR EQUIPMENT. TO AVOID INSTABILITY, PLACE FLAT PANEL TV IN THE CENTER OF THE UNIT; THE BASE OF THE TELEVISION MUST BE ABLE TO REST ON THE SUPPORTING SURFACE OF THE UNIT WITHOUT OVER-HANGING THE EDGES. IMPROPERLY POSITIONED FLAT PANEL TVS, OR FLAT PANEL TVS INCLUDING OTHER EQUIPMENT THAT EXCEED RECOMMENDED SIZE AND WEIGHT LIMITS COULD FALL OFF OR BREAK THE UNIT, CAUSING POSSIBLE SERIOUS INJURY. FOR USE WITH TELEVISIONS WEIGHING **80 LBS (36.2 KG)** OR LESS. USE WITH HEAVIER TELEVISIONS MAY RESULT IN INSTABILITY CAUSING TIP OVER RESULTING IN DEATH OR SERIOUS INJURY.



## Care and Maintenance

- Use a soft, clean cloth that will not scratch the surface when dusting.
- Use of furniture polish is not necessary. Should you choose to use polish, test first in an inconspicuous area.
- Using solvents of any kind on your furniture may damage your furniture's finish.
- Never use water to clean your furniture as it may cause damage to the finish.
- Always use coasters under beverage glasses and flowerpots.
- Liquid spills should be removed immediately. Using a soft, clean cloth, blot the spill gently. Avoid rubbing.
- Always use protective pads under hot dishes and plates. Heat can cause chemical changes that may create spotting within the furniture finish.
- In the event that your furniture is stained or otherwise damaged during use, we recommend that you call a professional to repair your furniture.
- Check bolts/screws periodically and tighten them if necessary.

## Further Advice about Wood Furniture Care

It is best to keep your furniture in a climate-controlled environment. Extreme temperature and humidity changes can cause fading, warping, shrinking and splitting of wood. It is advised to keep furniture away from direct sunlight as sun may damage the finish.

Proper care and cleaning at home will extend the life of your purchase. Following these important and helpful tips will enhance your furniture as it ages.

 <b>WARNING</b>	
	<p><b>Children have died from furniture tip-over.</b></p> <p><b>To reduce the risk of furniture tip-over:</b></p> <ul style="list-style-type: none"><li>● ALWAYS install tip-over restraint provided.</li><li>● FOR use with televisions weighing 80lbs / 36.2 kg or less. Use with heavier televisions may result in instability causing tip-over resulting in death or serious injury.</li><li>● NEVER allow children to stand, climb or hang on drawers, doors, or shelves.</li><li>● NEVER open more than one drawer at a time.</li><li>● Place heaviest items in the lowest drawers.</li></ul> <p><b>Use of tip-over restraints may only reduce, but not eliminate, the risk of tipping</b></p>

# WARNING

Please use your furniture correctly and safely. Improper use can cause safety hazards, or damage to your furniture or household items. Carefully read the following safety information.

This unit is not intended for use with CRT TVs. The top surface maximum weight capacity is 80 lbs. (36.2 kg) and maximum width 85 in. (215.9 cm) diagonal flat-panel TV. The shelf maximum recommended weight allowance is 50 lbs. (22.7 kg). Use with heavier televisions may result in instability causing tip over resulting in death or serious injury.

Death or serious injury may occur when children climb on audio and/or video equipment furniture. A remote control or toys placed on the furnishing may encourage a child to climb on the furnishing and as a result may tip over onto the child.

**NEVER** allow children to climb or play with the TV or furnishing supporting the TV.

**NEVER** place toys, food, remote, etc. on top of the TV or TV furnishing.

**ALWAYS** use either the safety hardware as instructed or another wall anchoring device.

Relocating audio and/or video equipment to furniture not specifically designed to support audio and/or video equipment may result in death or serious injury due to furniture collapse or overturning onto a child.

**NEVER** place a TV on furniture that is not intended to support a TV.

**NEVER** exceed the maximum size and weight of the TV shown in the instructions.

Be sure to refer to the TV warning label as shown in the instructions.

Overloading drawers and shelves may result in furniture that can break or sag, or tip-over which may result in injury.

**NEVER** exceed the weight limits shown in the instructions.

Place the heavier items on lower shelves as far back from the front as possible.

Load the bottom surfaces first to avoid top-heavy furniture.

Moving furniture that is not designed to be moved or equipped with casters may result in injury or damage to furnishings or personal property.

**ALWAYS** unload shelves and drawers, starting with the top surfaces, before moving.

**NEVER** push or pull furniture on carpet. Have a friend help lift properly to move and/or reposition it.

The unit is not meant as a seat and no one should be sitting or standing on the top panel.

Clean the metal trim using a soft cloth, slightly dampened with citrus oil-based product and buff with a clean, soft cloth. DO NOT use brass polish or household cleaners as these products will damage the metal trim. Citrus oil-based products can be obtained at supermarkets or hardware stores.

#### TV Placement on the console:

“Always place TV no more than two inches from the back edge of the console. Placing TV more than two inches from the back edge may increase the risk that the console will tip over”

#### Anti-Tip Hardware Kit:

“The Anti Tip hardware kit requires a screwdriver for the mounting of the anchor to the wall. Screwdriver not included.”

