



# ASSEMBLY INSTRUCTIONS

AUGR 2000/2002/2004-01 56" Stand SKU:25020102 / 25020126 / 25020140  
 AUGR 2000/2002/2004-02 Swivel Table SKU:25120104 / 25120128 / 25120142

**Caution:** Please read instructions thoroughly before unpacking assembly parts.

1. We recommend that you assemble this product with the assistance of another person. This will make assembly easier and help to eliminate damage to the product or injury to persons during assembly.
2. Be sure to check all packing materials carefully for small parts that may have come loose inside the carton during shipment.
3. Please put all parts on a non-abrasive surface and follow the assembly steps to assemble your newly purchased product correctly and efficiently.

### WARNING

**Serious or fatal crushing injuries can occur from furniture tip-over. To help prevent tip-over, install tip restraints per instructions.**

#### If using to support a television or monitor:




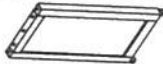


- For use with televisions weighing 175 lbs (79kg) or less and no wider than this product. Use with heavier or larger televisions may result in instability causing tip over resulting in death or serious injury.
- Death or serious injury may occur when children climb on audio and/or video equipment furniture. A remote control or toys placed on the furnishing may encourage a child to climb on the furnishing and as a result the furnishing may tip over on the child.
- This product is designed/intended to support flatscreen TV's only.





#### To further reduce the risk of serious injury and death from tip-overs:

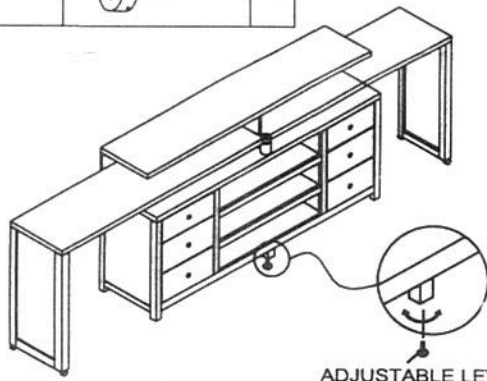
- Place heaviest items in the lowest compartments or drawers.
- Never allow children to climb or hang on drawers, doors, or shelves.
- Never open more than one drawer at a time.

#### Use of tip-over restraints may only reduce, but not eliminate, the risk of tip-over.

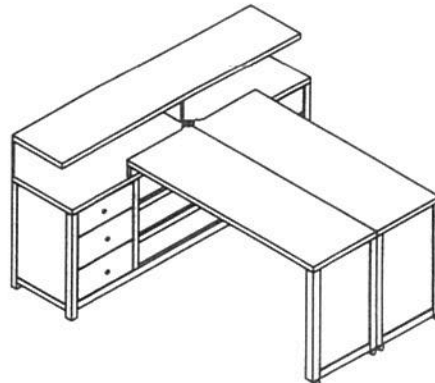
- For safe mounting, it is essential to use wall anchors appropriate to your wall type (i.e. plaster, drywall, concrete, etc). Mount to wood studs whenever possible. **NOTE: If you are unsure about your wall type or what mounting method you should use, consult a qualified professional.**
- It is highly recommended that you install a tip over restraint to secure the TV to the furnishing (not included).

Code	Parts List	Qty
A	Console 	1
B	Right Side Table Top 	1
C	Left Side Table Top 	1
D	Side Panels 	2
E	Support Legs 	2
F	Cylinder Top 	1

Code	Hardware List	Qty
1	Allen Key 	1
2	JCBC Bolt Ø5/16" x 1 3/4" 	6
	Spring Washer Ø5/16" 	6
	Flat Washer Ø5/16" 	6



ADJUSTABLE LEVELER



Hardware Pack Location(s): AUGR 2000/2002/2004-01 56" Stand  
 AUGR 2000/2002/2004-02 Swivel Tables

SKU:25020102/25020126/25020140  
 SKU:25120104/25120128/25120142