


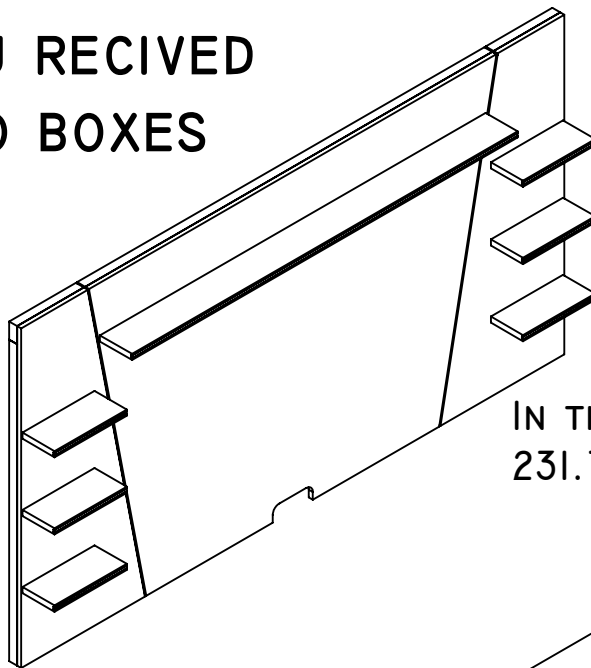


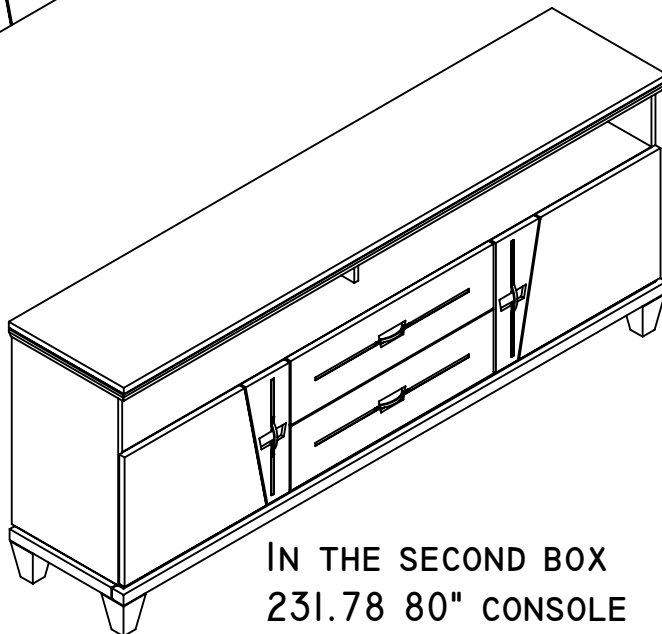
231.76 - 80" BACK PANEL

| | | |
|---|--|----|
| A |  Ø 1/4" X 40MM CH17 | 24 |
| B |  Ø 5/16" X 24MM | 16 |
| C |  | 01 |


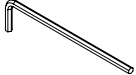
YOU RECEIVED
TWO BOXES

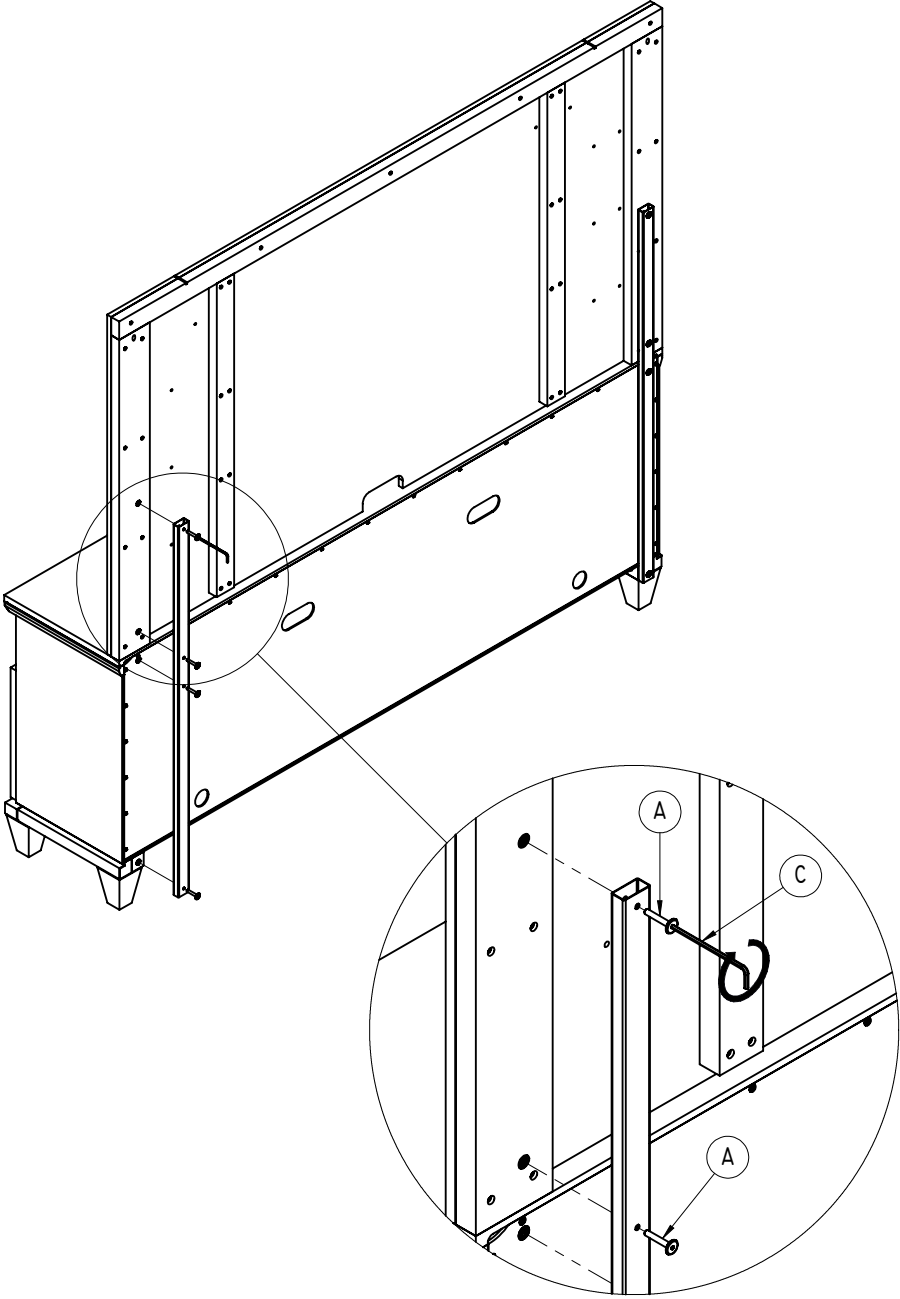





IN THE FIRST BOX
231.76 80" BACK PANEL



IN THE SECOND BOX
231.78 80" CONSOLE

| | | |
|---|--|----|
| A |  \varnothing 1/4" X 40MM CH17 | 8 |
| C |  | 01 |



| | | |
|---|--|----|
| A |  \varnothing 1/4" X 40MM CH17 | 16 |
| B |  \varnothing 5/16" X 24MM | 16 |
| C |  | 01 |

