







ASSEMBLY INSTRUCTIONS

RHHL 2352-500 ENTERTAINMENT CONSOLE SKU 25023526

Manufactured by RHHL for Rooms To Go

HARDWARE LIST				
ITEM	DESCRIPTION	IMAGE	SKU	QTY
1	Allen Bolt 1/4" x 3/4" (18 TPI)		NL-ABOLT-001	12
2	Spring Washer 5/16" x 12mm		NL-ABOLT-001	12
3	WASHER 1/4"		NL-WASH-001	12
4	Allen Wrench 5/32"		NL-AWRNCH-001	1
PART LIST				
A	METAL LEG			4
B	ENTERTAINMENT CONSOLE			1



Hardware Pack Location(s): Inside Left Door



ASSEMBLY INSTRUCTIONS

RHHL 2352-500 ENTERTAINMENT CONSOLE SKU 25023526

Manufactured by RHHL for Rooms To Go

*****Caution :** Please read all instructions carefully before starting the assembly process. These parts are cumbersome and heavy. Therefore, two people are recommended in order to prevent personal injury and insure the parts are not damage during assembly.

INSTRUCTIONS:

- 1.- PLACE THE TOP OF THE CONSOLE (C) UPSIDE DOWN OVER A CLEAN SURFACE
- 2.- PLACE THE METAL LEGS (A) IN THE HOLE OF THE BASE (B) AS SHOWN IN FIG. 1.
- 3.- PLACE THE BOLTS (2) USING THE WASHERS (1) THROUGH THE HOLES IN THE METAL LEGS AND THE BASE AND THEN TIGHTEN STRONGLY WITH THE ALLEN WRENCH. AS SHOWN IN FIG. 2
- 4.- WITH THE HELP OF ANOTHER PERSONA, TURN THE CONSOLE

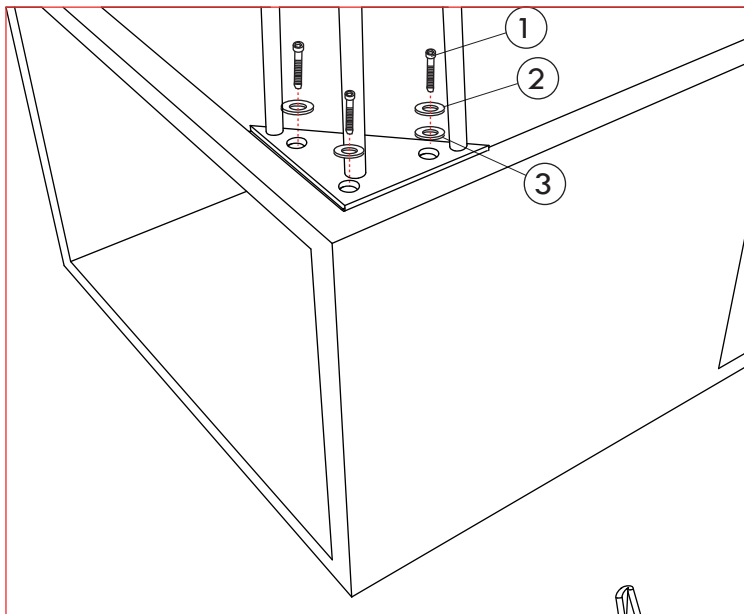


FIG.2

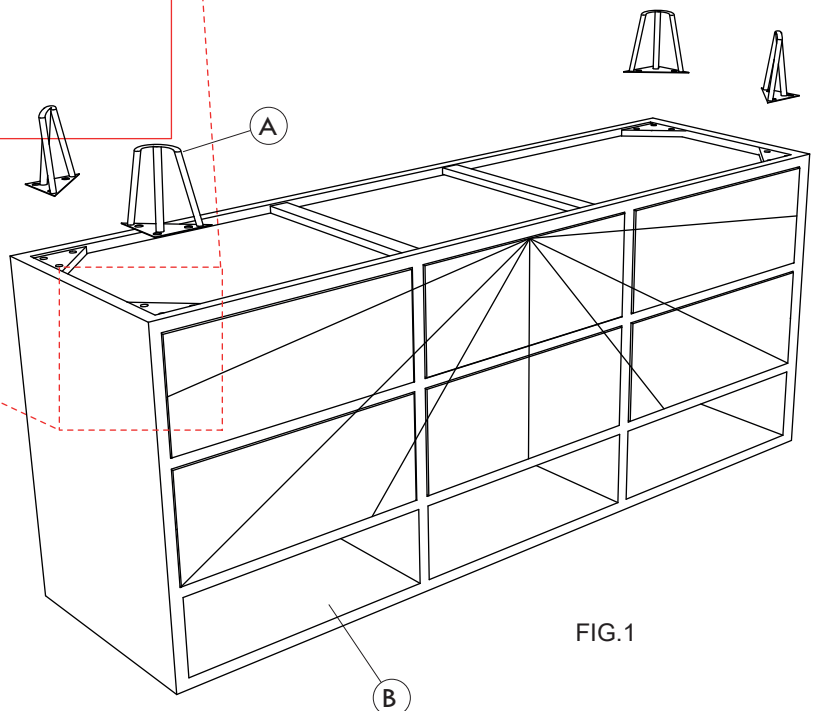


FIG.1

Hardware Pack Location(s): Inside Left Door