

ASSEMBLY INSTRUCTIONS

66" FIREPLACE TV CONSOLE

MODEL No. CAN349-124/25024908

Important: Be sure to check all packing material carefully for small parts which may come loose inside carton during shipment. Separate, identify and count all parts and metal hardware.

Compare with part list and hardware illustrations to be sure all parts are present. If any part(s) is missing or damaged contact your dealer's customer services department. For efficient and fast service, please indicate the model number and the part needed.

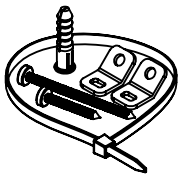
ATTENTION: Some lettered parts listed on the instruction sheets may not be in the parts bag, they may already be assembled.

TOOLS REQUIRED

(Not included)

Phillips Screwdriver

HARDWARE:



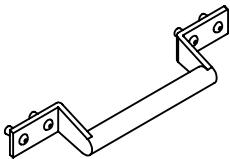
ANTI-TIP
Part No. HB-488 (1 Pc)



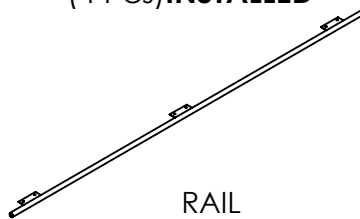
WHEEL AND PLATE
Part No. HHC-BAR149-BKTG
(4 Pcs) **INSTALLED**



TUBE INSERT
Part No. HCPH-SB
(2 Pc) **INSTALLED**



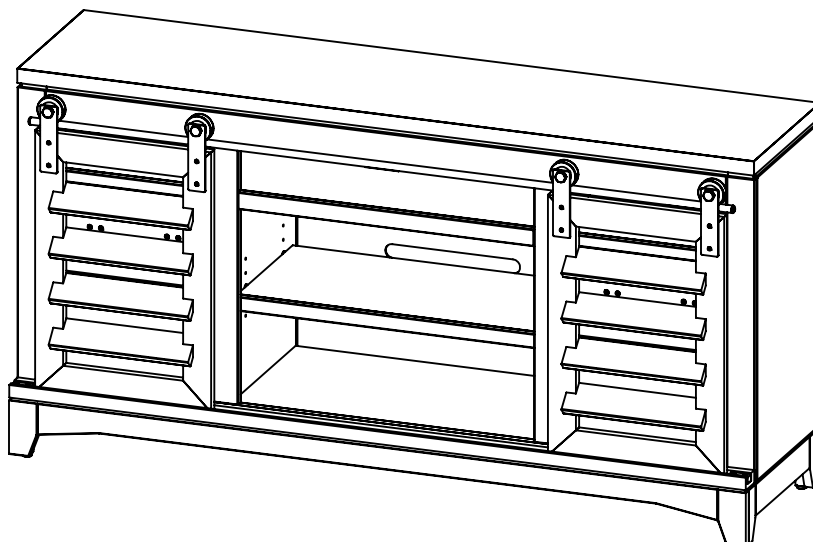
PULL
Part No. HBJ-BAR149-23
(4 Pcs) **INSTALLED**



RAIL
Part No. HCS-6250BK
(1 Pc) **INSTALLED**



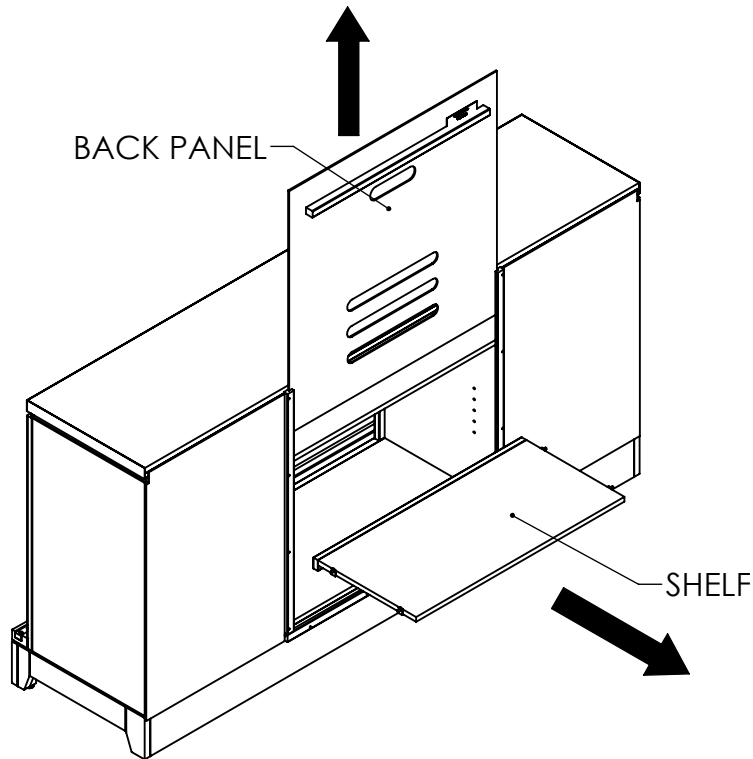
BOLT 8 x 32 x 1/2" Part No.
HCPP-12A
(16 Pcs) **INSTALLED**



FIRE PLACE INSTALLATION

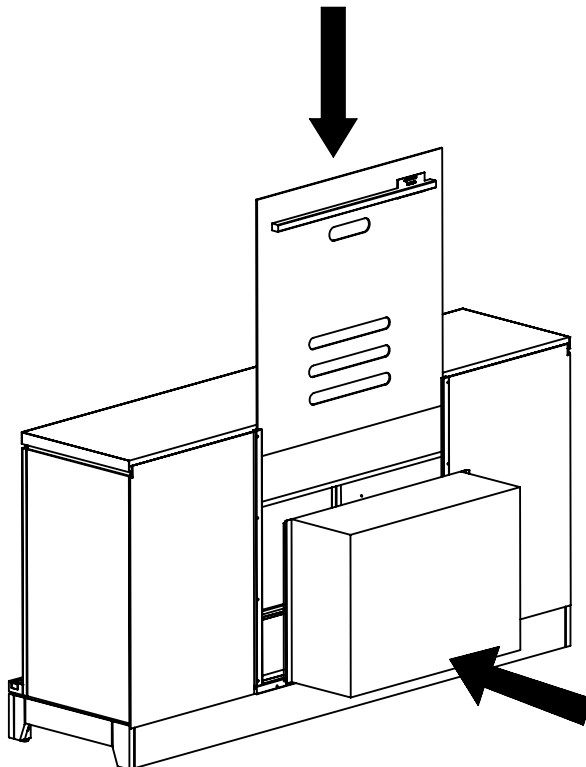
Step 1.

Remove the central **back panel** and detach the **shelf** using a screwdriver as shown in page 3.

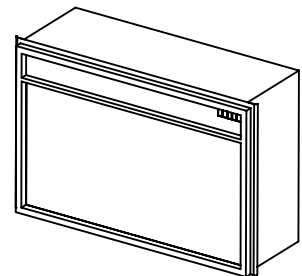


Step 2.

Place the fireplace inside the cabinet
Slide the panel back in.

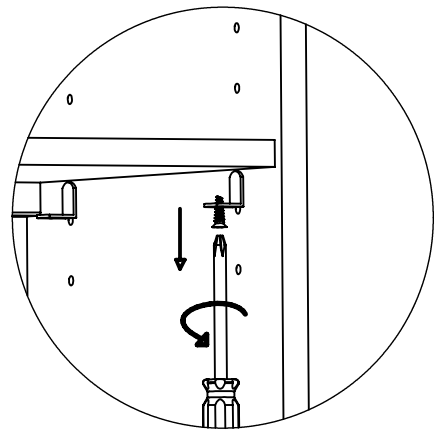
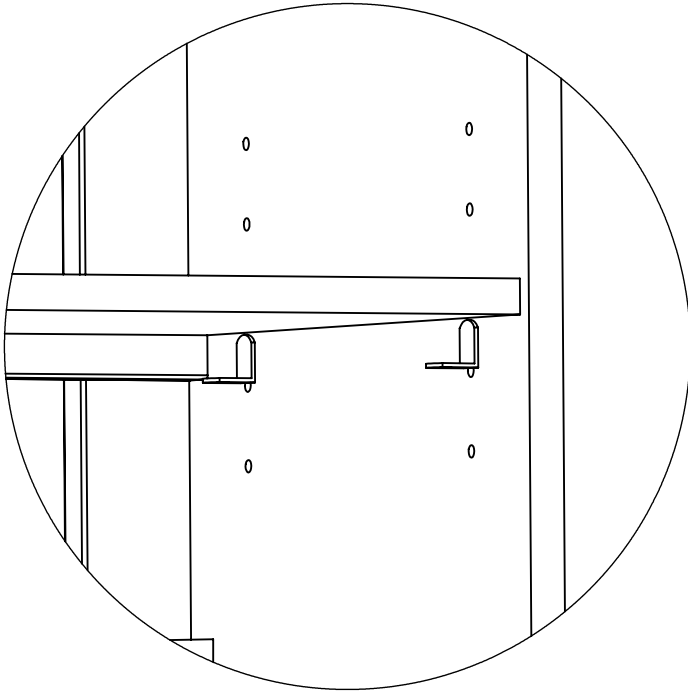


FIREPLACE NOT INCLUDED

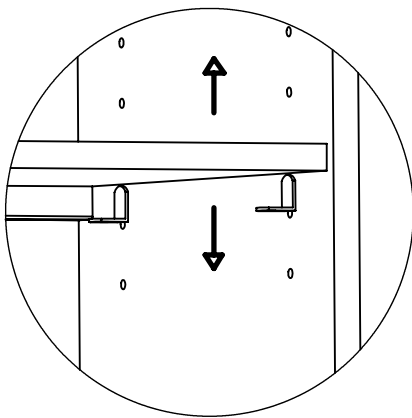


INSTRUCTIONS SHEET

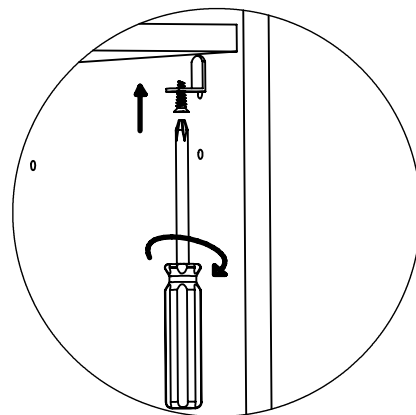
ADJUSTABLE WOOD SHELF



STEP 1.



STEP 2.



STEP 3.

Warning Advertencia Avertissement

WARNING INSTALL FURNITURE TIPPING RESTRAINT KIT

ANTI-TIP

Installation instructions:

This tip restraint must be attached to wall stub using 2" screw enclosed

1. Attach a bracket securely to the back top rail of the furniture using the 5/8" screw provided through the smaller hole.
2. Locate the other bracket on the wall over the wall stud and 2 inches below the mounting bracket secure to the back of your unit. Attach to the wall stud using the 2" screw provided, through the smaller hole.
3. Place the furniture into position so both mounting brackets are vertically in line
4. Lace the end of the restraint strap through the larger hole in each mounting bracket. Bring both ends together and slide the flat end through the locking end and flat draw it through until all slack is removed.
5. Confirm that the strap is securely laced and latched.

Instrucciones de instalacion:

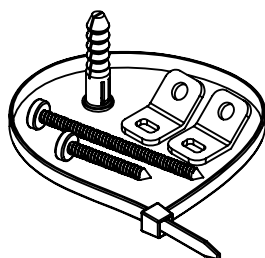
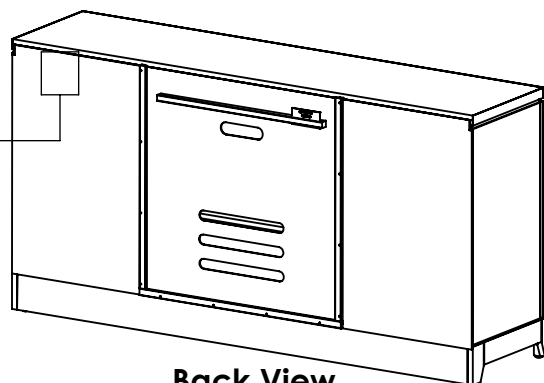
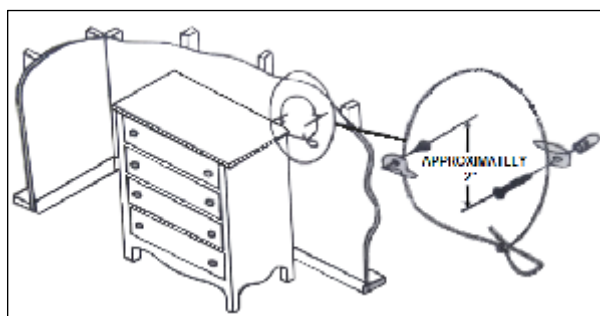
Este seguro contra volcado debe fijarse a un taco de pared con el tornillo de 2" que se incluye.

1. Coloque un soporte firmemente en la parte superior trasera del mueble ,usando el tornillo 5/8" que se proporciona y el agujero mas pequeño
2. Ubique el otro soporte en la pared sobre un taco y 5cm (2pulg.) por debajo del soporte de montaje asegurado en la parte trasera de la unidad .Fije al taco de pared usando el taco de 2" que incluye y el agujero mas pequeño .
3. Coloque el mueble en el sitio, de modo de modo que los dos soportes estén en una línea vertical.
4. Pase el extremo de una cinta de sujeción por el agujero más grande en cada soporte de montaje, una los dos extremos y deslice el extremo plano por el lado del cierre, hasta que quede tenso.
5. Confirme que la cinta este bien asegurada.

Instructions d` installation:

Ce dispositif de sécurité doit être fixé au montai d` un mur a` l` aide de la vis de 5cm (2 po) fournie

1. fixer solidement un support a` la traversé supérieure du meuble, en passant la vis de 1,6cm (5/8 po) dans le plus petit trou.
2. placer l` autre support sur un montant du mur, a` environ 5cm (po) plus bas, par rapport au premier support de fixation, fixer ce support en passant la vis de 5cm (2 po) fournie dans le plus petit trou.
3. positionner le meuble afin d`aligner verticalement les deux supports de fixation
4. passer l`extrémité de l`attache dans les plus grands trous des deux supports. Joindre les extrémités insérer l`extrémité plate dans le dispositif de blocage puis tirer au maximum pour desserrer.
5. vérifier que l`attache est solidement fixée et bloquée.

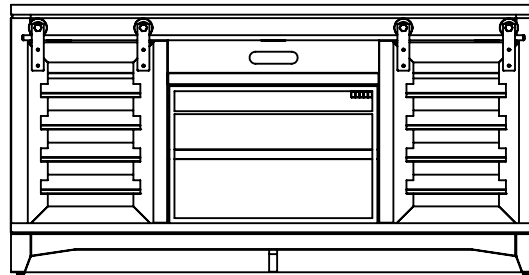


ANTI-TIP
PART No HB-488

MAXIMUM RECOMMENDED WEIGHT LOADS

MANUFACTURER: Oak Furniture West
ADDRESS: Otay Mesa Ca. 92154
CATALOG: TV CONSOLE
MODEL: CAN349-124/25024908

Fits most 70" flat panel tvs. Maximum load 90 lbs.



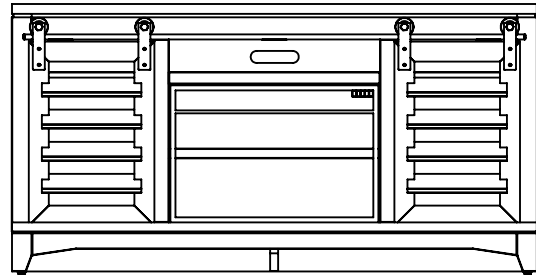
Maximum shelf load 25 lbs.

⚠ WARNING THIS UNIT IS NOT INTENDED FOR USE WITH CRT TVs. USE ONLY WITH FLAT PANEL TVs AND AUDIO/VIDEO EQUIPMENT MEETING THE RECOMMENDED WEIGHT AND SIZE LIMITS. NEVER USE WITH LARGER/HEAVIER TV'S OR EQUIPMENT THAN RECOMMENDED. TO AVOID INSTABILITY, PLACE FLAT PANEL TV IN THE CENTER OF THE UNIT. THE BASE OF THE TELEVISION MUST BE ABLE TO REST ON THE SUPPORTING SURFACE OF THE UNIT WITHOUT OVER-HANGING THE EDGES. IMPROPERLY POSITIONED FLAT PANEL TVs OR FLAT PANEL TVs INCLUDING OTHER EQUIPMENT THAT EXCEED THE RECOMMEND SIZE AND WEIGHT LIMITS COULD FALL OFF OR BREAK THE UNIT, CAUSING POSSIBLE SERIOUS INJURY. FOR USE WITH TVs WEIGHING LESS THAN **90 LBS (40KG)** OR LESS. USE WITH HEAVIER TELEVISIONS MAY RESULT IN INSTABILITY CAUSING A TIP OVER RESULTING IN DEATH OR SERIOUS INJURY.

MAXIMUM RECOMMENDED WEIGHT LOADS

MANUFACTURER: Oak Furniture West
ADDRESS: Otay Mesa Ca. 92154
CATALOG: TV CONSOLE
MODEL: CAN349-220/25034909

Fits most 70" flat panel tvs. Maximum load 90 lbs.



Maximum shelf load 25 lbs.

⚠ WARNING THIS UNIT IS NOT INTENDED FOR USE WITH CRT TVs. USE ONLY WITH FLAT PANEL TVs AND AUDIO/VIDEO EQUIPMENT MEETING THE RECOMMENDED WEIGHT AND SIZE LIMITS. NEVER USE WITH LARGER/HEAVIER TV'S OR EQUIPMENT THAN RECOMMENDED. TO AVOID INSTABILITY, PLACE FLAT PANEL TV IN THE CENTER OF THE UNIT. THE BASE OF THE TELEVISION MUST BE ABLE TO REST ON THE SUPPORTING SURFACE OF THE UNIT WITHOUT OVER-HANGING THE EDGES. IMPROPERLY POSITIONED FLAT PANEL TVs OR FLAT PANEL TVs INCLUDING OTHER EQUIPMENT THAT EXCEED THE RECOMMEND SIZE AND WEIGHT LIMITS COULD FALL OFF OR BREAK THE UNIT, CAUSING POSSIBLE SERIOUS INJURY. FOR USE WITH TVs WEIGHING LESS THAN **90 LBS (40KG)** OR LESS. USE WITH HEAVIER TELEVISIONS MAY RESULT IN INSTABILITY CAUSING A TIP OVER RESULTING IN DEATH OR SERIOUS INJURY.

Safety Alert Information:

Moving furniture that is not designed to be moved or equipped with casters may result in injury or damage to furnishings and/or personal property.

Always unload shelves and drawers, starting with top surfaces, before moving.

Never push or pull furniture on carpet. Have a second person help lift properly to move and/or reposition furniture.

TV Placement on the console:

"Always place TV no more than two inches from the back edge of the console. Placing TV more than two inches from the back edge may increase the risk that the console will tip over"

MANUFACTURER: Oak Furniture West
ADDRESS: Olay Mesa Ca. 92154
CATALOG: TV CONSOLE
MODEL: CAN349-124/25024908