

2 DOOR STORAGE CABINET

ASSEMBLY INSTRUCTIONS MODEL No. BAR349-124

Important: Be sure to check all packing material carefully for small parts which may come loose inside carton during shipment. Separate, identify and count all parts and metal hardware. Compare with part list and hardware illustrations to be sure all parts are present. If any part(s) is missing or damaged contact your dealer's customer services department. For efficient and fast service, please indicate the model number and the part needed.

ATTENTION: Some lettered parts listed on the instruction sheets may not be in the parts bag, they may already be assembled.

TOOLS REQUIRED
(Not included)
Phillips Screwdriver

HARDWARE:



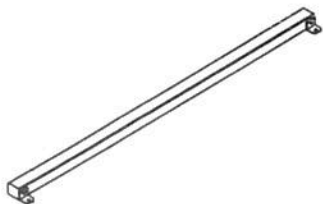
ANTI-TIP
Part No. HB-488 (1 Pc)



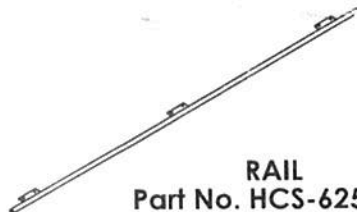
WHEEL AND PLATE
Part No. HHC-BAR149-BKTG
(4 Pcs)INSTALLED



BOLT 1/4-20 x 30mm
Part No. HCPP-30
(2 Pcs)INSTALLED



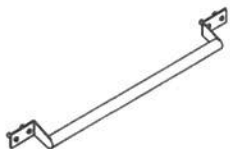
SUPPORT RAIL
Part No. TOPE44POP-0127A
ATTACHED UNDER THE RAIL



RAIL
Part No. HCS-6250BK
(1 Pc)INSTALLED



P.H. SCREW 8/32" x 1/2"
Part No. HCPF-0612P(2 Pcs)



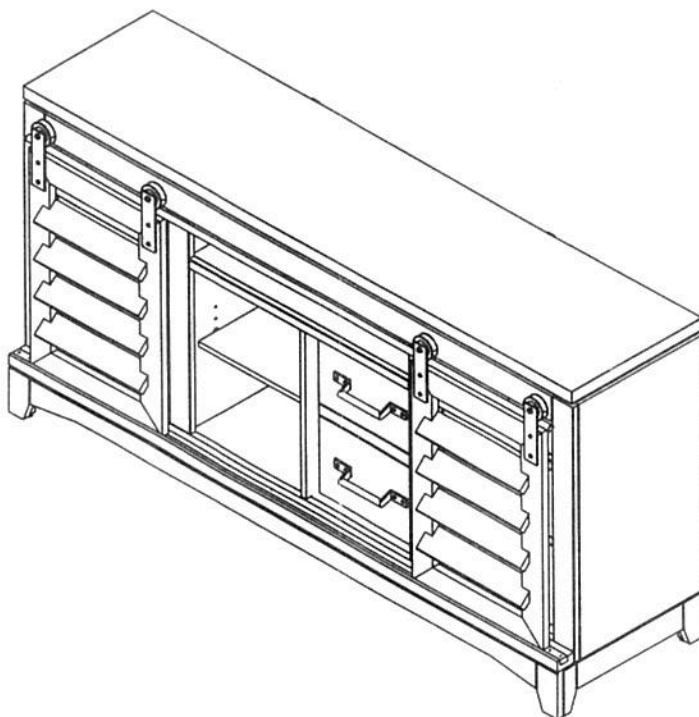
PULL
Part No. HBJ-BAR149-23
(6 Pcs)INSTALLED



ALLEN KEY
Part No. HIN-04
(1 Pc)



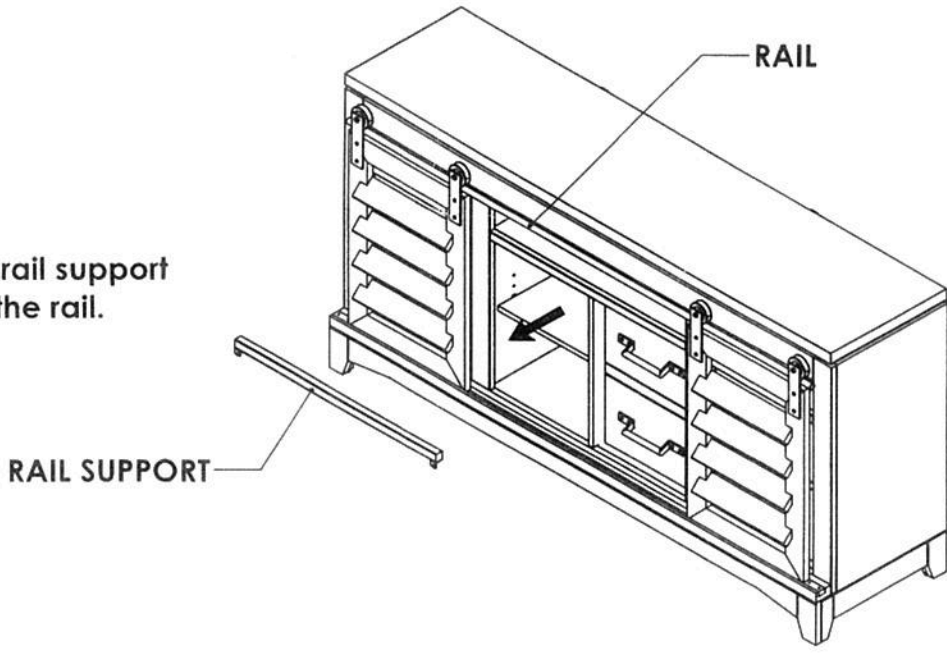
BOLT 8/32 X1/2 Part No.
HCPP-12A
(24 Pcs) INSTALLED



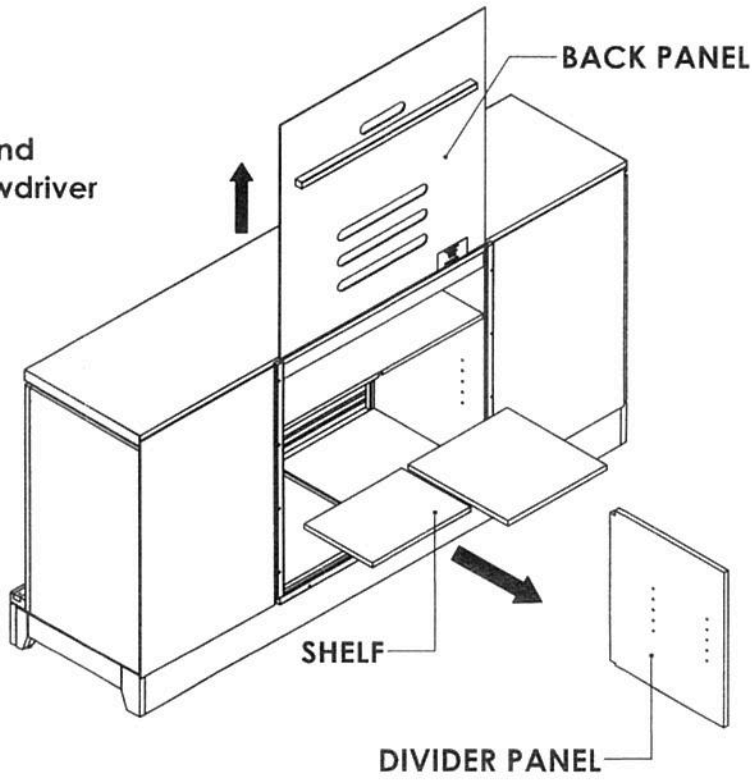
TUBE INSERT
Part No. HCPH-SB
(2 Pc)INSTALLED

IRE PLACE INSTALLATION

Step 1.
Detach the rail support
from under the rail.



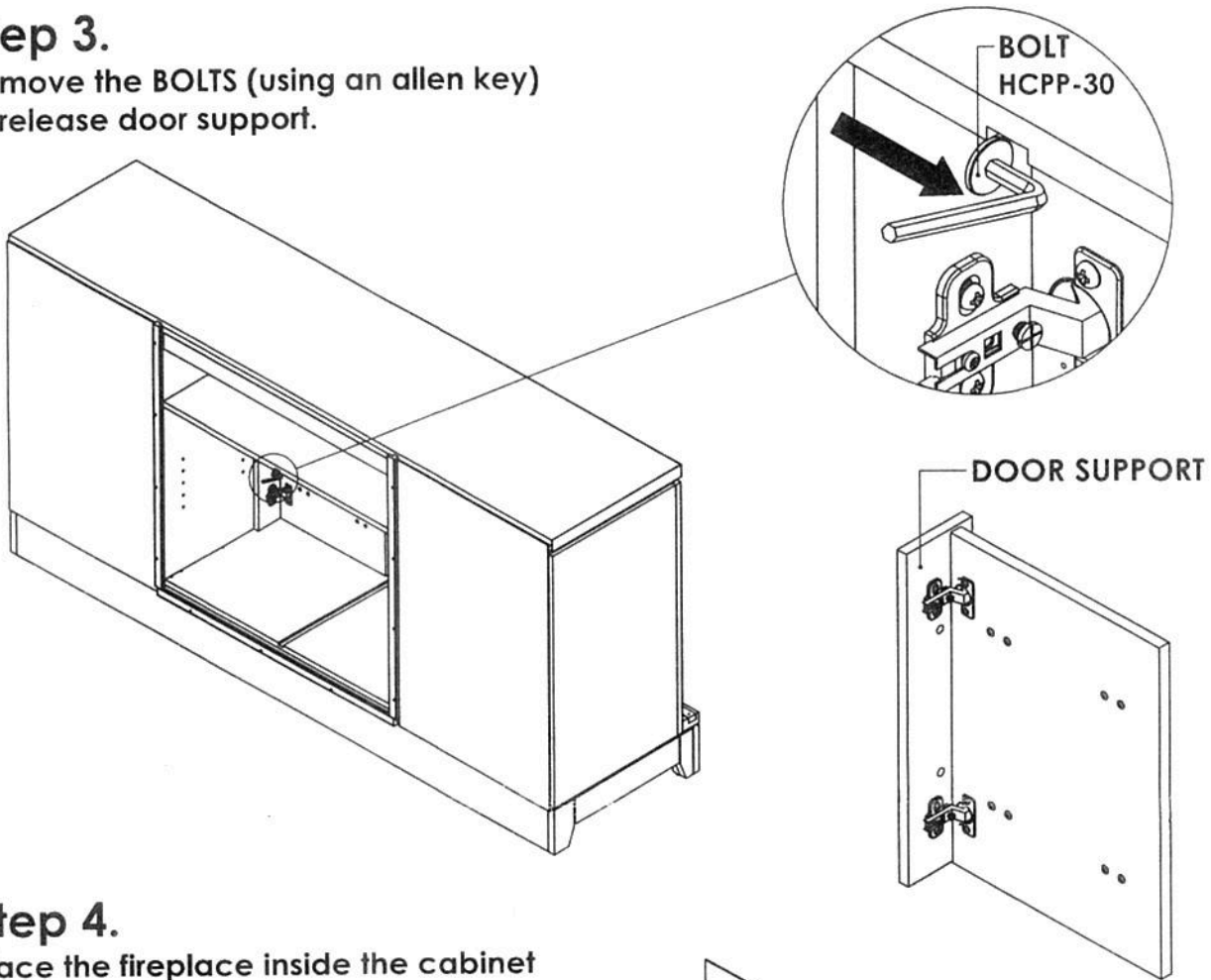
Step 2.
Remove the central back panel and
detach both shelves using a screwdriver
as shown in page 4.
Slide out the divider panel.



FIRE PLACE INSTALLATION

Step 3.

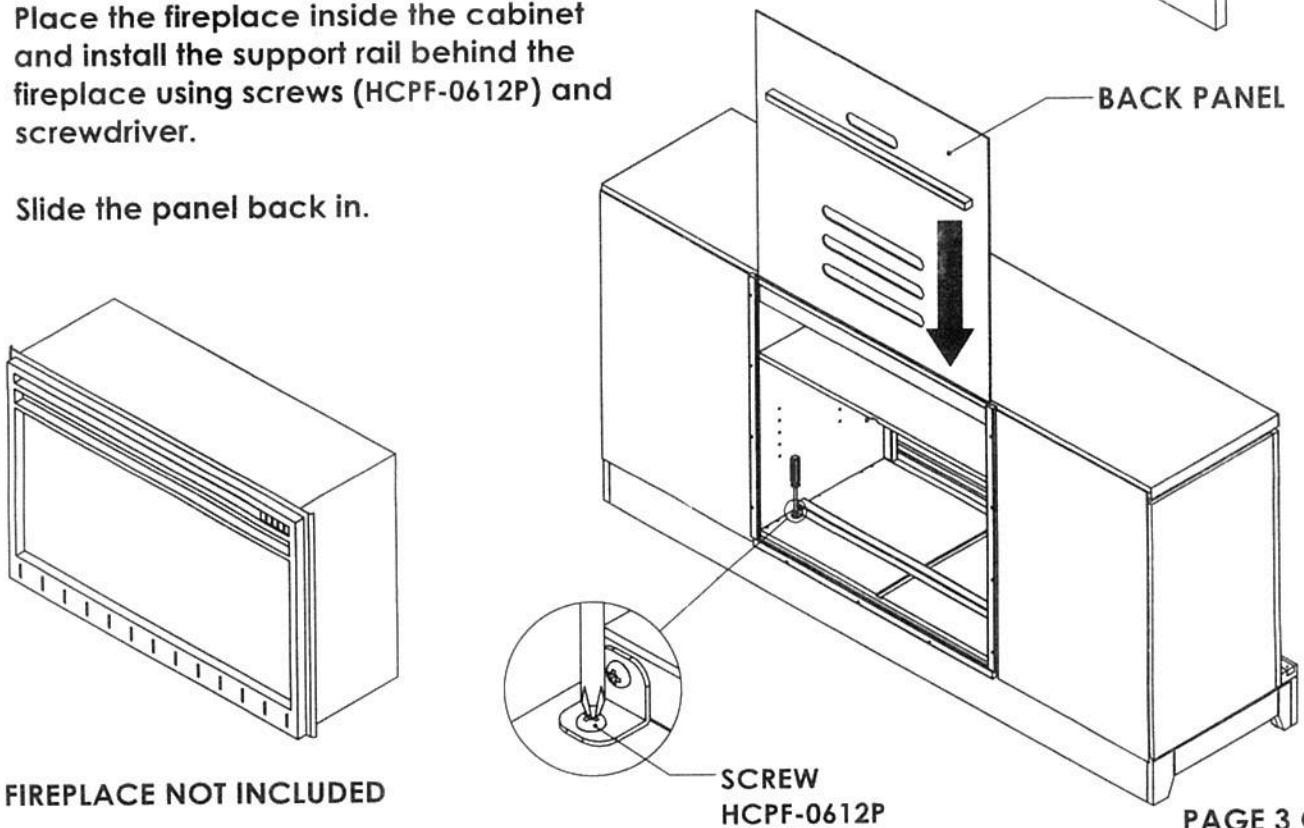
Remove the BOLTS (using an allen key) to release door support.



Step 4.

Place the fireplace inside the cabinet and install the support rail behind the fireplace using screws (HCPF-0612P) and screwdriver.

Slide the panel back in.

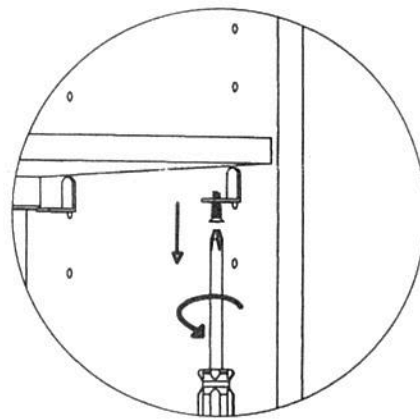
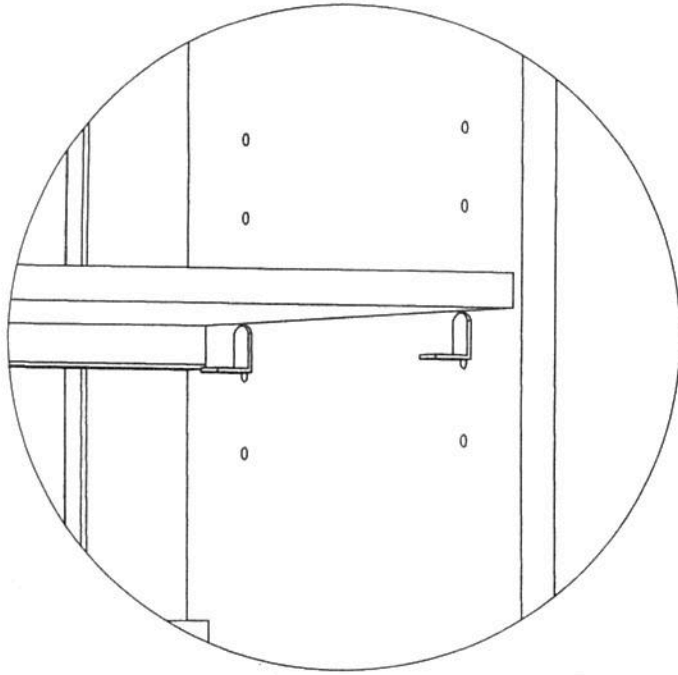


FIREPLACE NOT INCLUDED

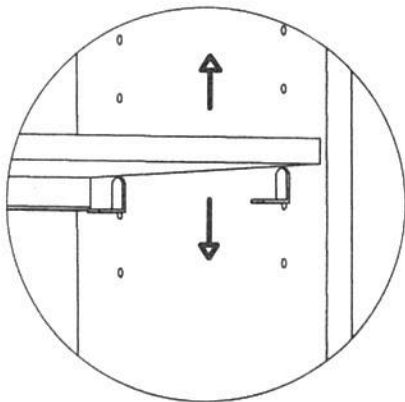
SCREW
HCPF-0612P

INSTRUCTIONS SHEET

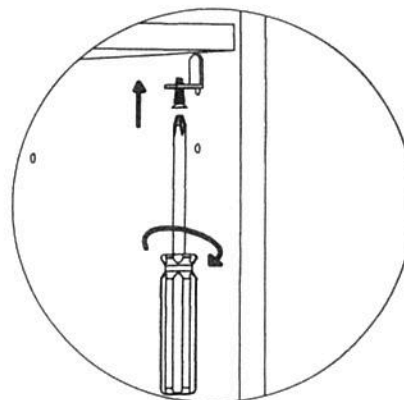
ADJUSTABLE WOOD SHELF



STEP 1.



STEP 2.



STEP 3.

Warning Advertencia Avertissement

WARNING INSTALL FURNITURE TIPPING RESTRAINT KIT

ANTI-TIP

Installation instructions:

This tip restraint must be attached to wall stub using 2" screw enclosed

1. Attach a bracket securely to the back top rail of the furniture using the 5/8" screw provided through the smaller hole.
2. Locate the other bracket on the wall over the wall stud and 2 inches below the mounting bracket secure to the back of your unit. Attach to the wall stud using the 2" screw provided, through the smaller hole.
3. Place the furniture into position so both mounting brackets are vertically in line
4. Lace the end of the restraint strap through the larger hole in each mounting bracket. Bring both ends together and slide the flat end through the locking end and flat draw it through until all slack is removed.
5. Confirm that the strap is in securely laced and latched.

Instrucciones de instalacion:

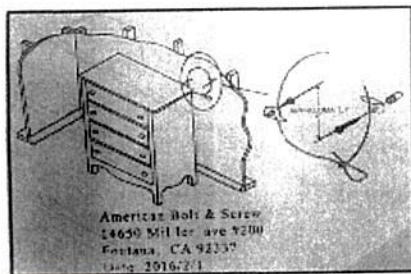
Este seguro contra volcado debe fijarse a un taco de pared con el tornillo de 2" que se incluye.

1. Coloque un soporte firmemente en la parte superior trasera del mueble ,usando el tornillo 5/8" que se proporciona y el agujero mas pequeño
2. Ubique el otro soporte en la pared sobre un taco y 5cm (2pulg.) por debajo del soporte de montaje asegurado en la parte trasera de la unidad .Fije al taco de pared usando el taco de 2" que incluye y el agujero mas pequeño .
3. Coloque el mueble en el sitio, de modo de modo que los dos soportes estén en una línea vertical.
4. Pase el extremo de una cinta de sujeción por el agujero más grande en cada soporte de montaje, una los dos extremos y deslice el extremo plano por el lado del cierre, hasta que quede tenso.
5. Confirme que la cinta este bien asegurada.

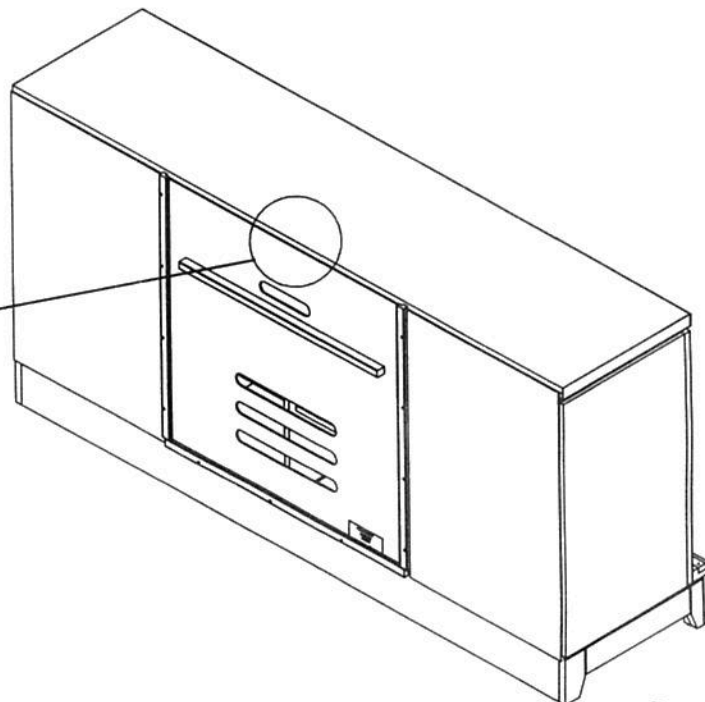
Instructions d` installation:

Ce dispositif de sécurité doit être fixé au montai d` un mur a` l` aide de la vis de 5cm (2 po) fournie

1. fixer solidement un support a` la traversé supérieure du meuble, en passant la vis de 1,6cm (5/8 po) dans le plus petit trou.
2. placer l` autre support sur un montant du mur, a` environ 5cm (po) plus bas, par rapport au premier support de fixation, fixer ce support en passant la vis de 5cm (2 po) fournie dans le plus petit trou.
3. positionner le meuble afin d` aligner verticalement les deux supports de fixation
4. passer l` extrémité de i` attache dans les plus grands trous des deux supports. Joindre les extrémités insérer l` extrémité plate dans le dispositif de blocage puis tirer au maximum pour desserrer.
5. vérifier que l` attache est solidement fixée et bloquée.



ANTI-TIP
PART No HB-488



Back View