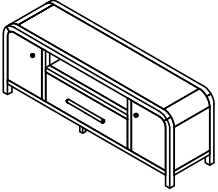

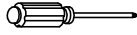
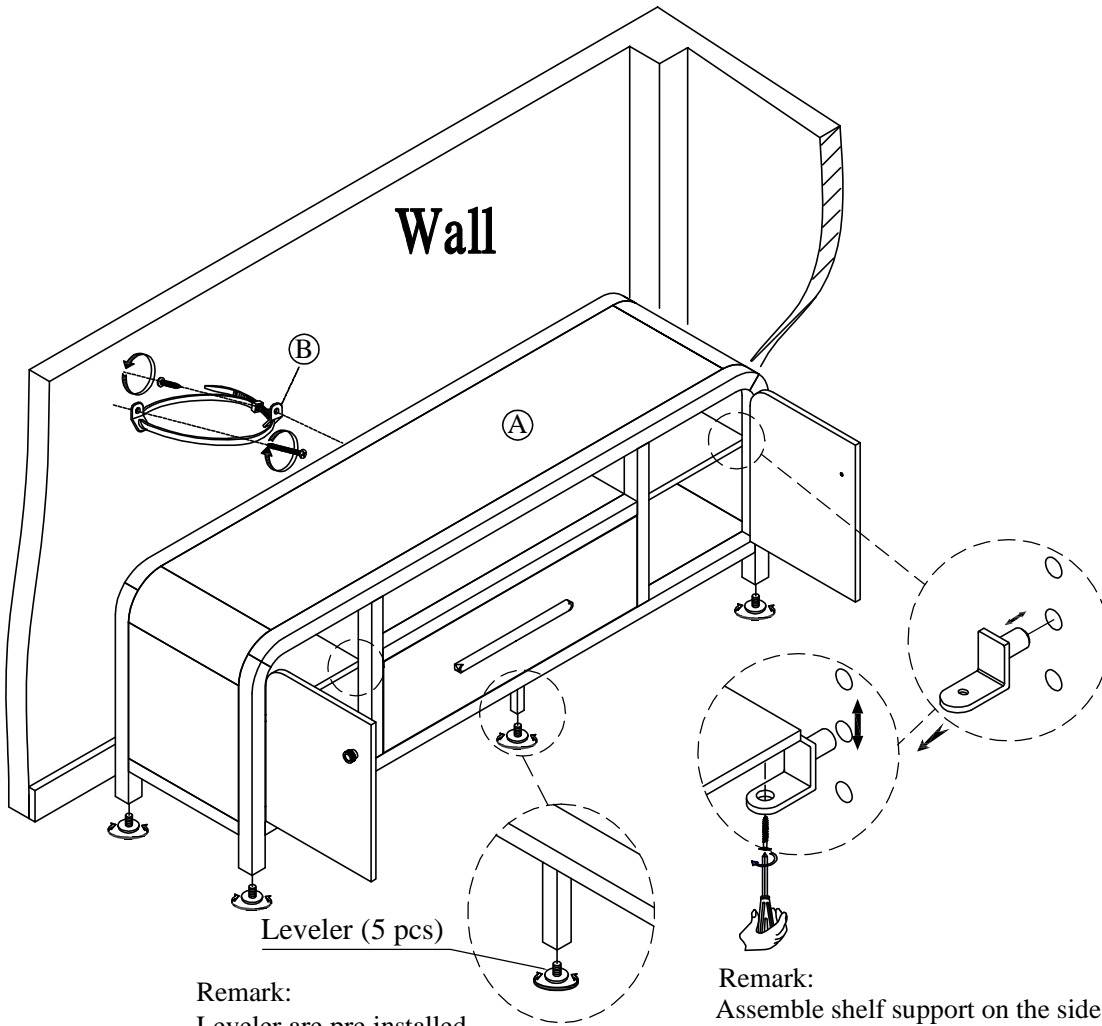


This product is manufactured by PULA for Rooms To Go

*** Caution: Please read all instructions carefully before starting the assembly process. These parts are cumbersome and heavy. Therefore, two people are recommended in order to prevent personal injury and ensure the parts are not damaged during the assembly.
 *** Remark: DO NOT fully tighten all bolts until assembly is completed.

Code	PARTS LIST :		
A	68" Console		1Pc

Code	HARDWARE LIST		
B		FURNITURE TIPPING RESTRAINT	1Set
Tool Required (not provided)			
		Phillip Screwdriver	



Remark:
Leveler are pre installed on leg and support leg.

Remark:
Assemble shelf support on the side panel or center panel first, then put wood shelf on the shelf support. Use a tool to tighten screw to have firmly.

Hardware Pack Location (s):

3770-700 68" Console , SKU: 25037703

**drew &
jonathan™**

USE AND CARE INSTRUCTIONS

PULA: 3770-700 68" Console

SKU: 25037703

This product is manufactured by PULA for Rooms To Go

▲ WARNING – Children have died from furniture tip over. To reduce the risk of furniture tip over, adhere to the recommendations below:

- For use with televisions weighing 170 lbs. /77 Kgs or less. Use with heavier televisions may result in instability causing tip over resulting in death or serious injury.
- Plasma/LCD-flat panel TV screen of various screen size to a maximum TV screen size 60 inches
- All other support shelves should not be loaded more than 30 lbs/ 13.6 kgs
- All drawers should not be loaded more than 30 lbs/ 13.6 kgs
- Always place TV no more than two inches from the back edge of the console. Placing TV more than two inches from the back edge may increase the risk that the console will tip over.

DO NOT REMOVE THIS LABEL

▲ WARNING - Death or serious injury may occur when children climb on audio and/or video equipment furniture. A remote control or toys placed on the furnishing may encourage a child to climb on the furnishing and as a result the furnishing may tip over on to the child.

▲ WARNING - Relocating audio and/or video equipment to furniture not specifically designed to support audio and/or video equipment may result in death or serious injury due to the furnishing collapsing or overturning onto the child.

Manufactured by Shing Mark Enterprise Co., Ltd

Address: Bau Xeo IZ, Trang Bom District, Dong Nai Province, Viet Nam