

ASSEMBLY INSTRUCTIONS



HOUS #2717 -80 82" FOUR DOOR CONSOLE

SKU# 25127172

#2719 -80 82" FOUR DOOR CONSOLE

SKU# 25127196

Version #1 - 2024/07/19

Part list

NO.	SKETCH	DESCRIPTION	Q'TY
A		Console	1 pc
B		Heater (Not Included)	1 pc

Hardware list

NO.	SKETCH	DESCRIPTION	Q'TY
1		Allen wrench 4mm	1 set
2		Furniture tipping restraint	1 set
		Tools Required (Not Included)	

WARNING-Death or serious injury may occur when children climb on audio and/or video equipment furniture. A remote control or toys placed on the furnishing may encourage a child to climb on the furnishing and as a result the furnishing may tip over on to the child."

WARNING- Relocating audio and/or video equipment to furniture not specifically designed to support audio and/or video equipment may result in death or serious injury due to the furnishing collapsing or over turning onto the child."

WARNING- For use with televisions weighing 150lbs/68.04Kgs or less. Use with heavier televisions may result in instability causing tip over resulting in death or serious injury. Plasma/LCD-flat panel TV screen of various screen size to a maximum TV screen size 79 inches.

Each shelf should not be loaded more than 25lbs/11.34Kgs.

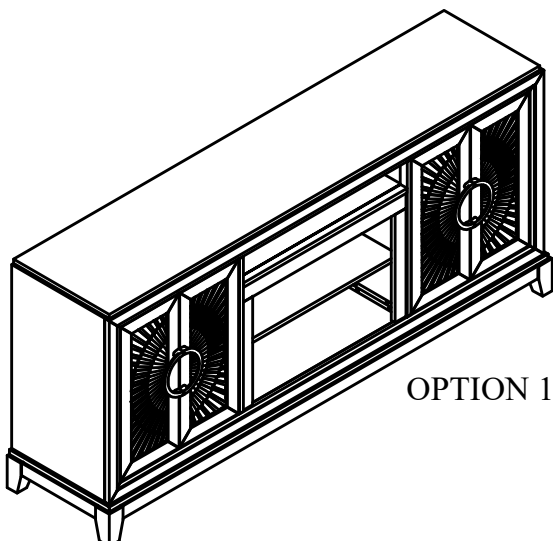
DO NOT EXCEED RECOMMENDED LOAD. Use with products heavier than the maximum sizes and weights indicated may result in instability causing possible injury.

Do not allow children under 16 years to move unit

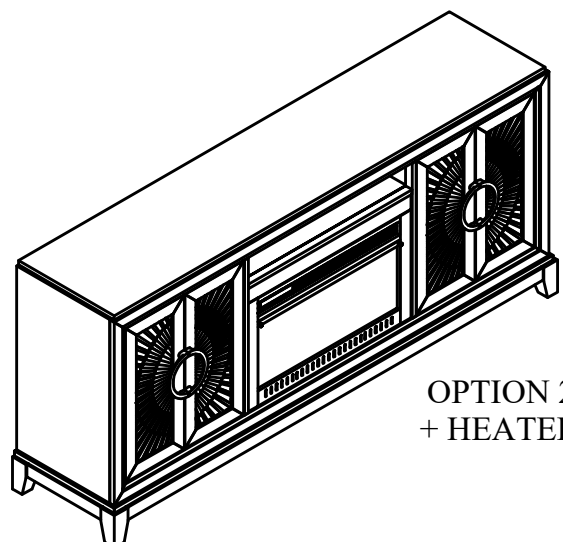
Always place TV no more than two inches from the back edge of the console.

Placing TV more than two inches from the back edge may increase the risk that the console will tip over.

DO NOT REMOVE THIS LABEL



OPTION 1



OPTION 2
+ HEATER

Hardware Pack Location (s):

Four Door Console: 2717 -80
2719 -80

SKU# 25127172
SKU# 25127196

NOTE:
ASSEMBLE UNIT ON A SOFT SURFACE.
ASSEMBLEZ L'UNITÉ SUR UNE SURFACE MOLLE.

DO NOT TIGHTEN BOLTS UNTIL THE UNIT IS COMPLETELY ASSEMBLED.
NE SERREZ PAS LES BOULONS JUSQU'À CE QUE L'UNITÉ SOIT COMPLÈTEMENT ASSEMBLÉE

ASSEMBLY INSTRUCTIONS



HOUS #2717-80 82" FOUR DOOR CONSOLE

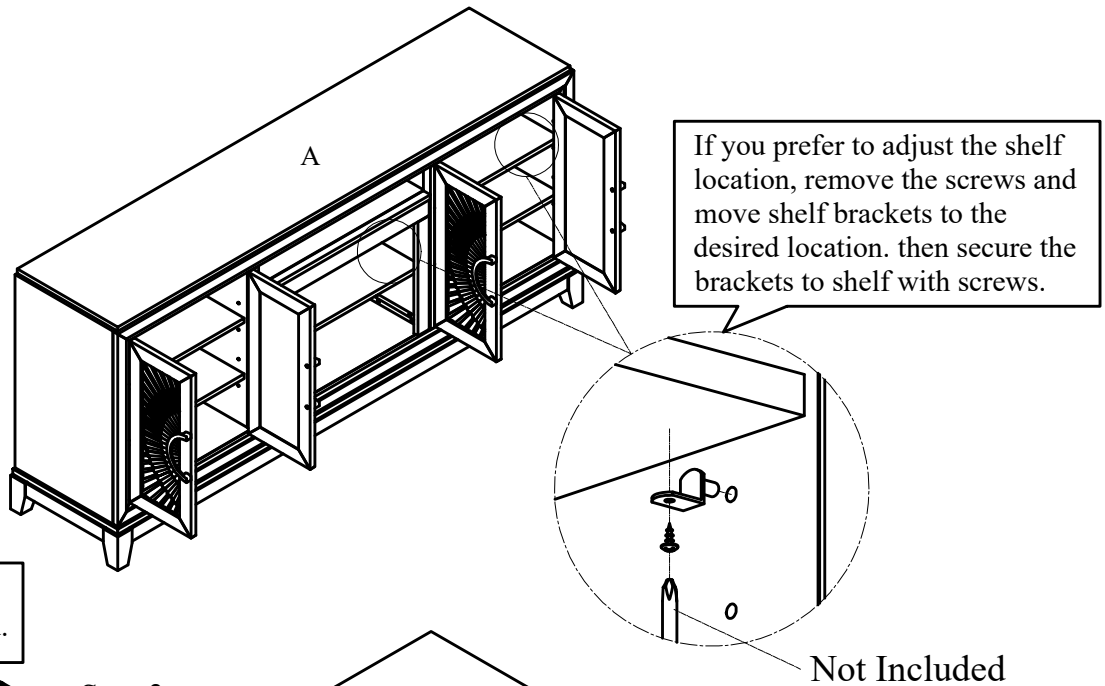
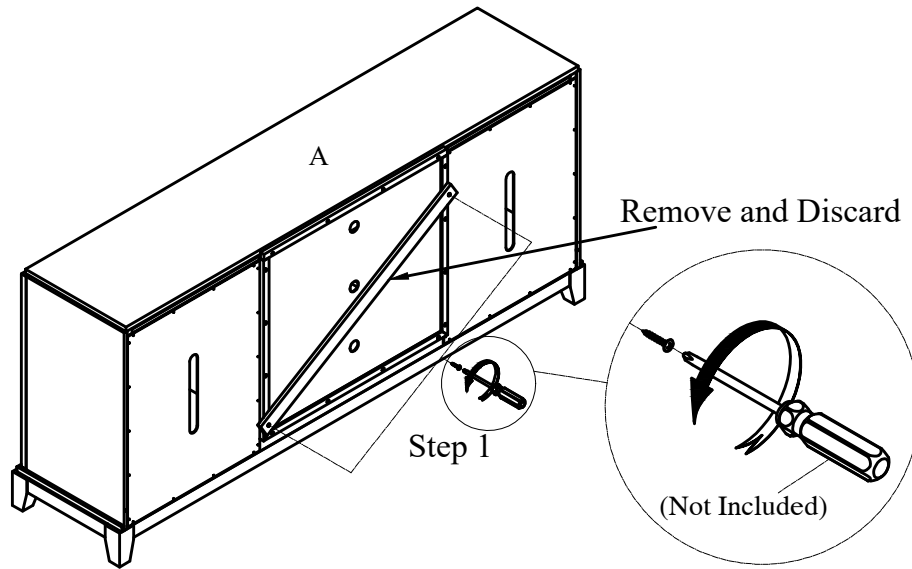
SKU# 25127172

#2719-80 82" FOUR DOOR CONSOLE

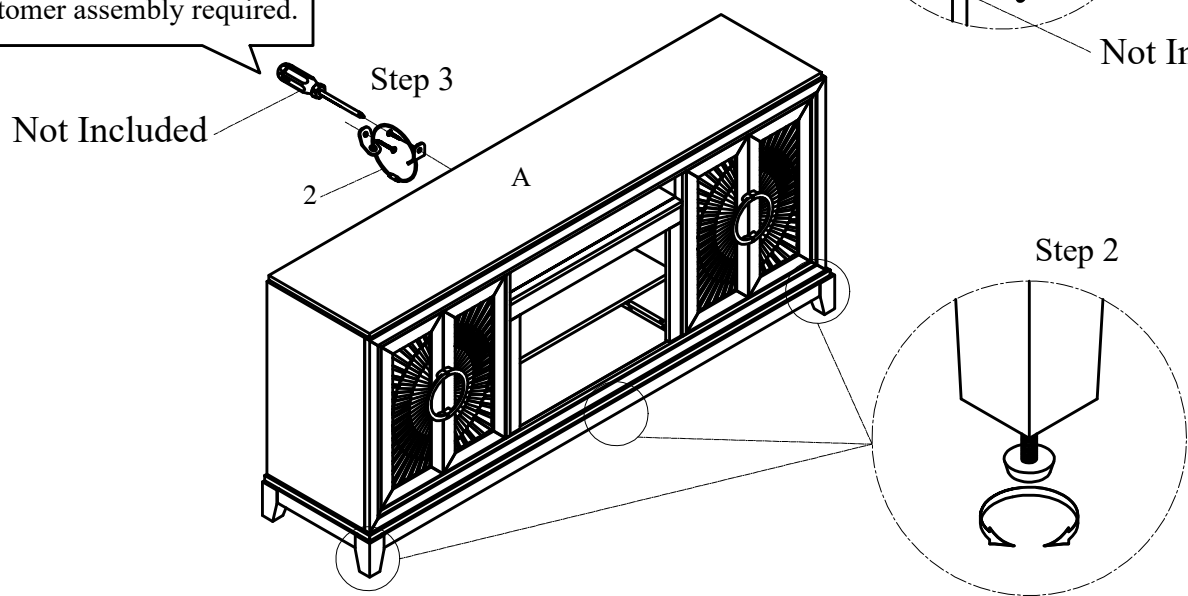
SKU# 25127196

Version #1 - 2024/07/19

OPTION 1



Remark: Anti-tip hardware-customer assembly required.



Step 3: Add tipping restraint one side is attached to the Console, the other side is attached to the wall.

ASSEMBLY INSTRUCTIONS


HOLLAND HOUSE

HOUS #2717-80 82" FOUR DOOR CONSOLE

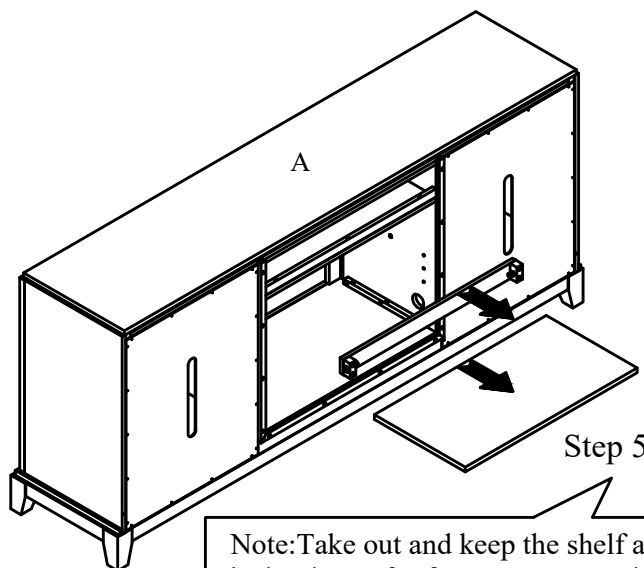
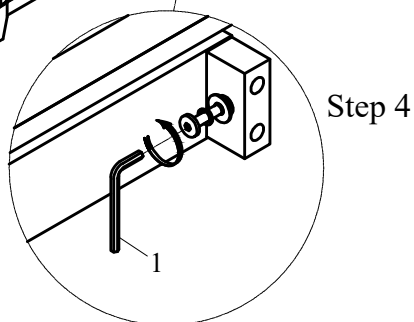
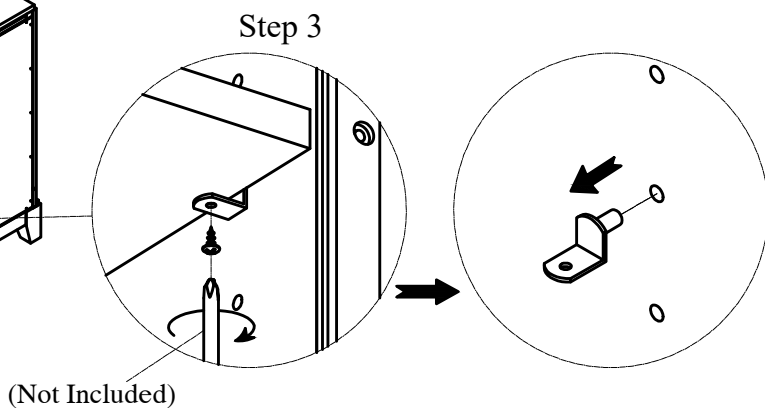
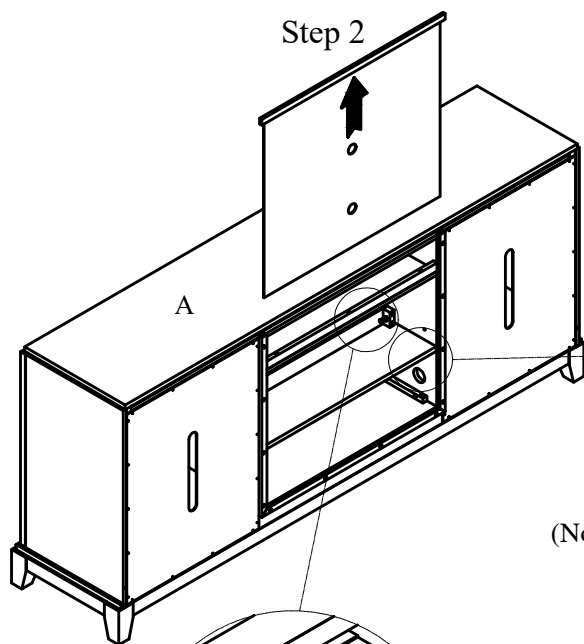
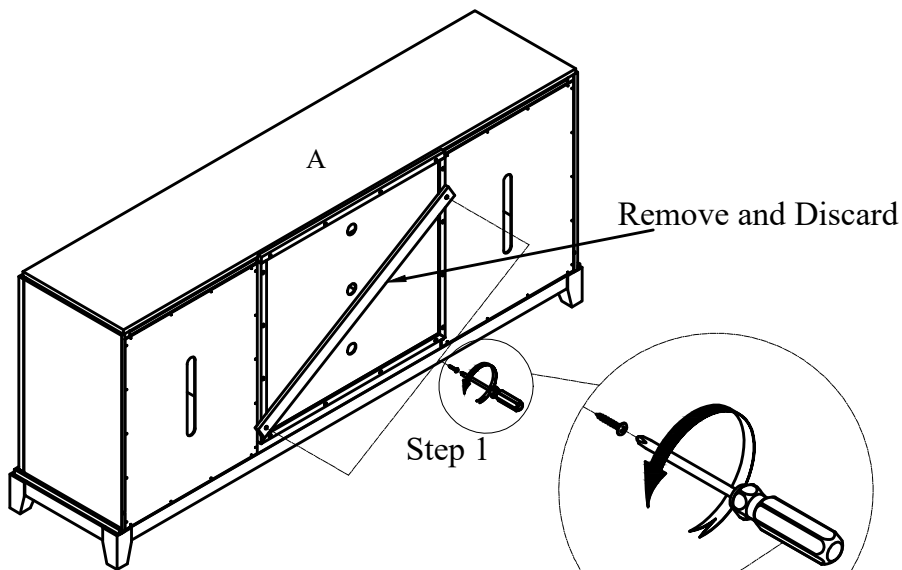
SKU# 25127172

#2719-80 82" FOUR DOOR CONSOLE

SKU# 25127196

Version #1 - 2024/07/19

OPTION 2



Note: Take out and keep the shelf and its hardware for future use as needed.

ASSEMBLY INSTRUCTIONS


HOLLAND HOUSE

HOUS #2717-80 82" FOUR DOOR CONSOLE

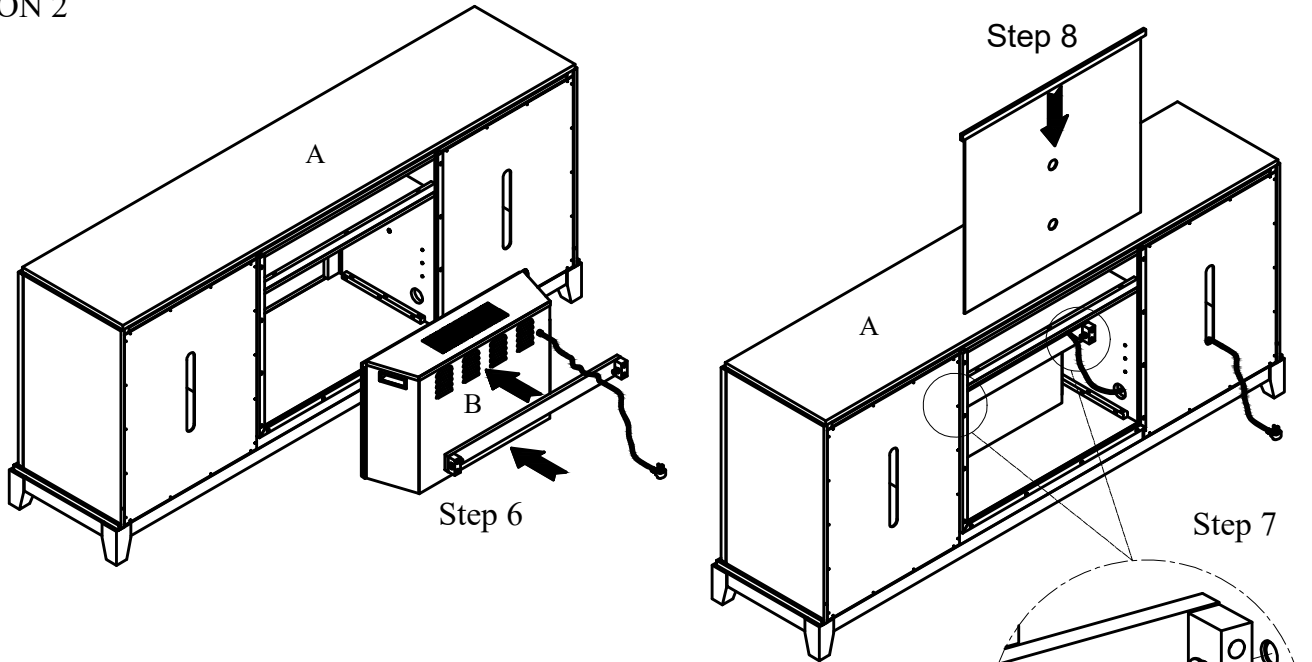
SKU# 25127172

#2719-80 82" FOUR DOOR CONSOLE

SKU# 25127196

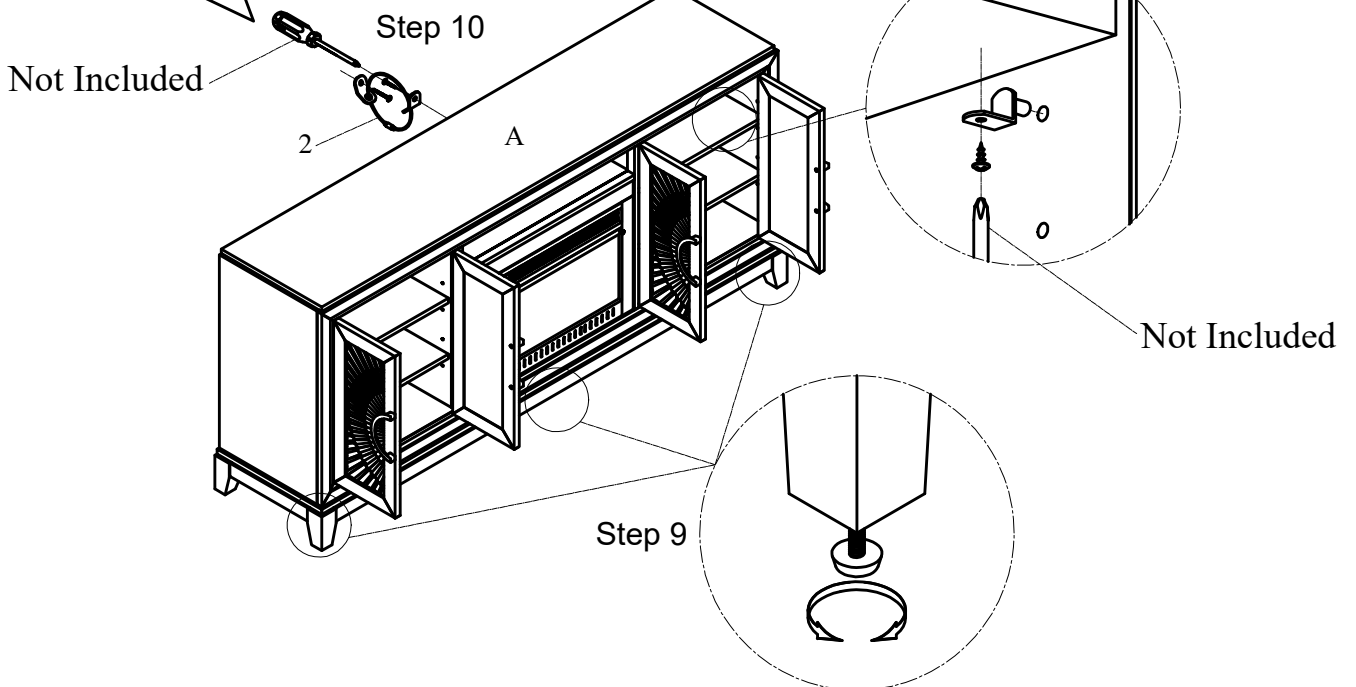
Version #1 - 2024/07/19

OPTION 2



Remark: Anti-tip hardware-customer assembly required.

If you prefer to adjust the shelf location, remove the screws and move shelf brackets to the desired location. then secure the brackets to shelf with screws.



Step 10: Add tipping restraint one side is attached to the Console, the other side is attached to the wall.