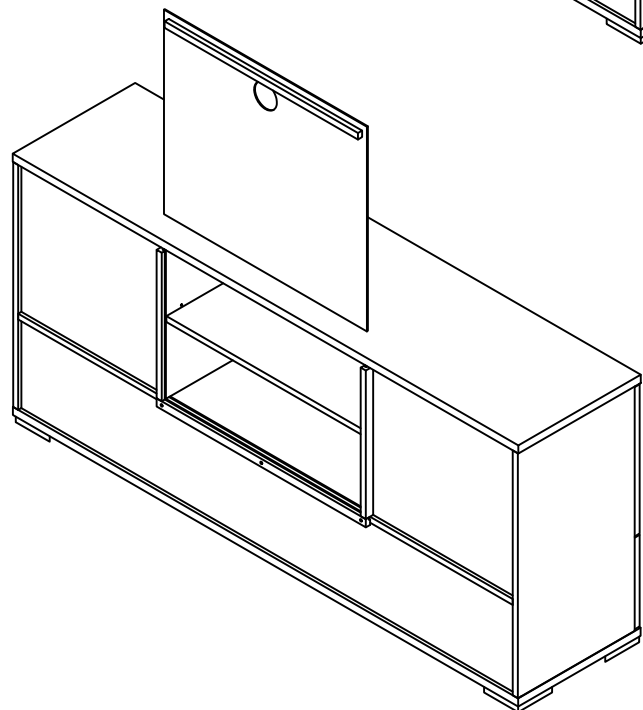
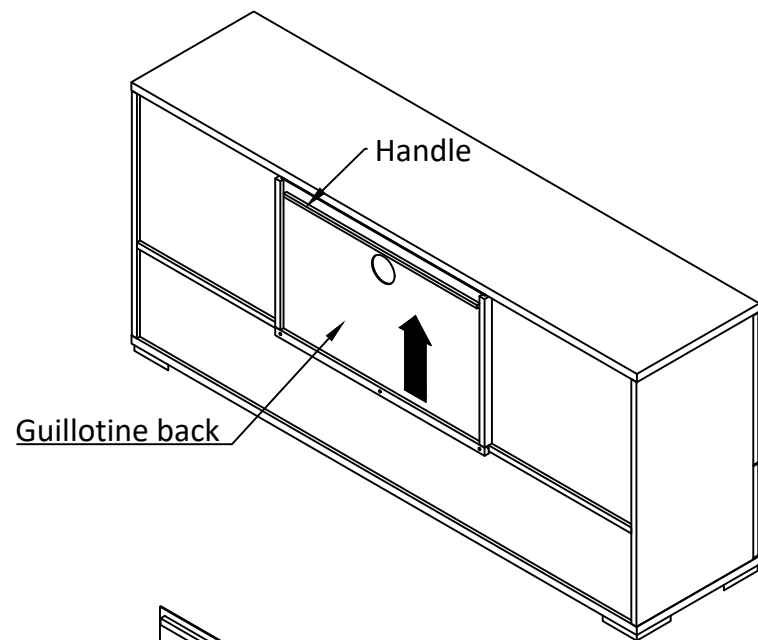
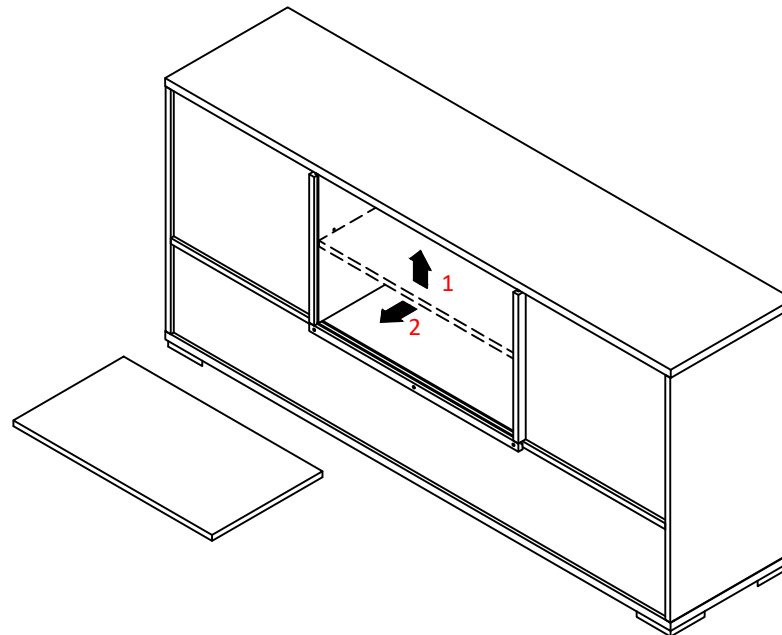




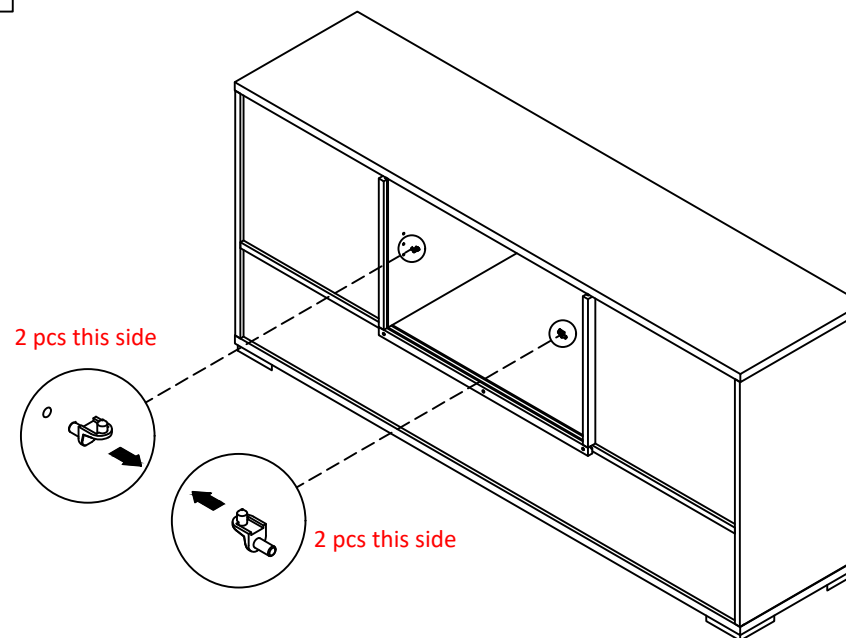
1 Slide upward the Guillotine back using the handle.



2 Remove shelf.

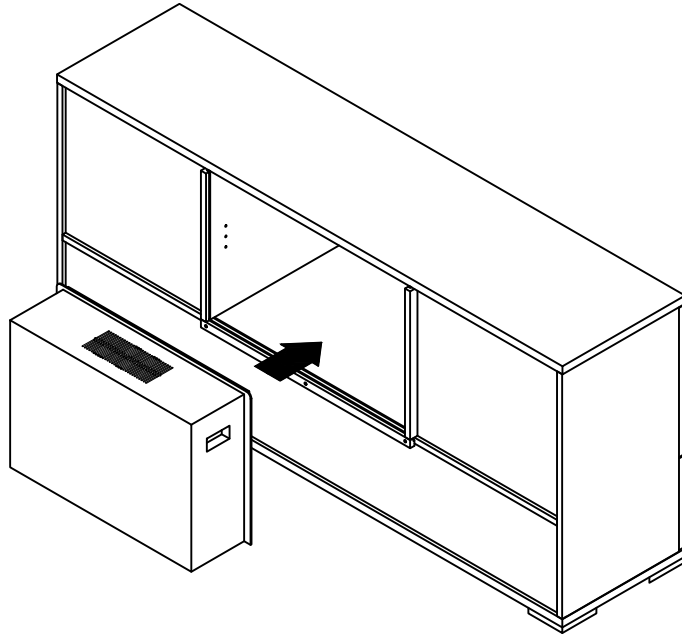


3 Remove shelf supports (n° 4 pieces).

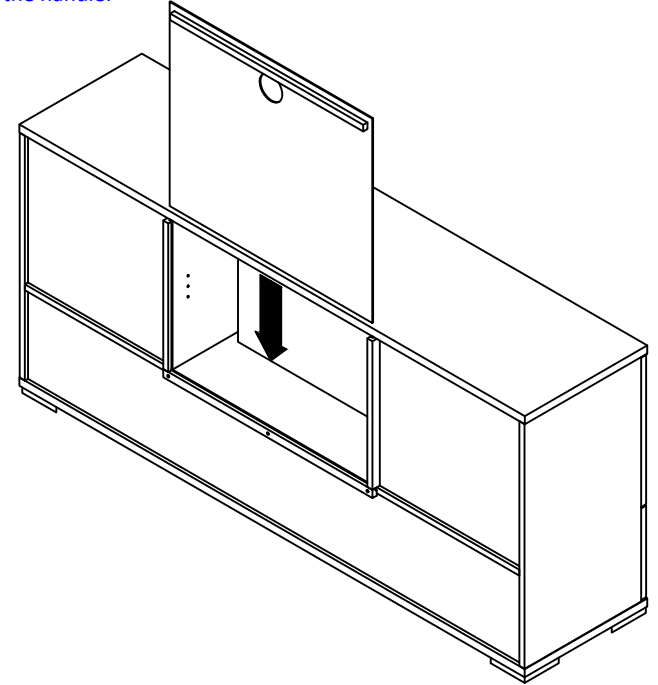




4 Place the electrical appliance and push it into the compartment.



5 Replace the Guillotine back using the handle.



6

