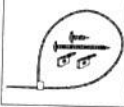
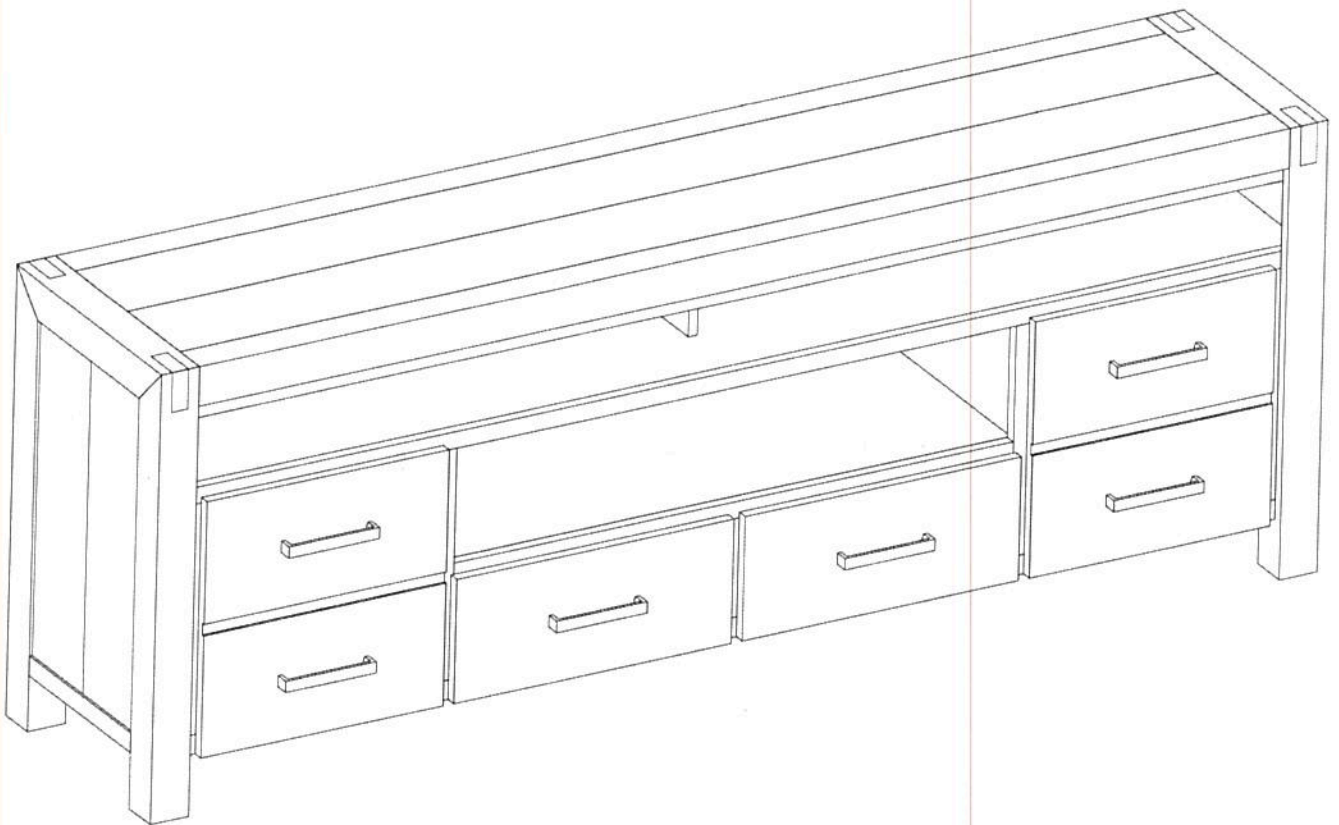




Assembly Instructions

WHLM #CS8432-BWN MATRIX 84" CONSOLE BRUSHED WALNUT SKU# 25255034
WHLM #CS8432-MDN MATRIX 84" CONSOLE MIDNIGHT SKU# 25256048
WHLM #CS8432-OVR MATRIX 84" CONSOLE OVERLAND GRAY SKU# 25257040

STEP	CODE	HARDWARE		Q'TY
3	A		TIPPING RESTRAINT HARDWARE KIT	2



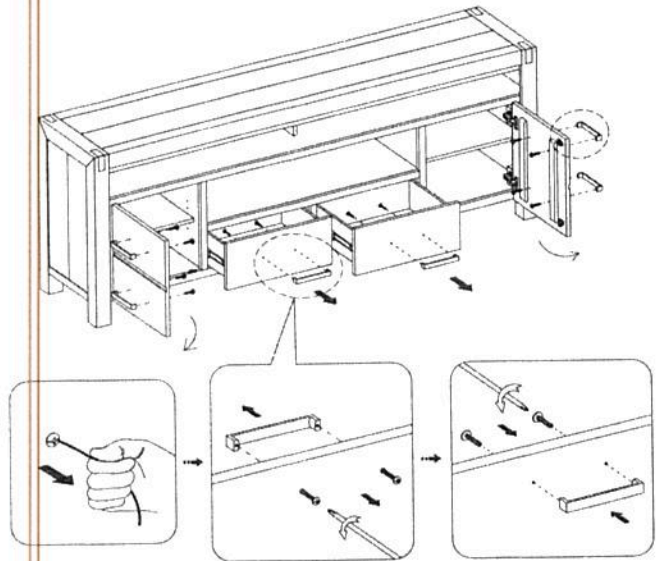


Assembly Instructions

WHLM #CS8432-BWN MATRIX 84" CONSOLE BRUSHED WALNUT SKU# 25255034
WHLM #CS8432-MDN MATRIX 84" CONSOLE MIDNIGHT SKU# 25256048
WHLM #CS8432-OVR MATRIX 84" CONSOLE OVERLAND GRAY SKU# 25257040

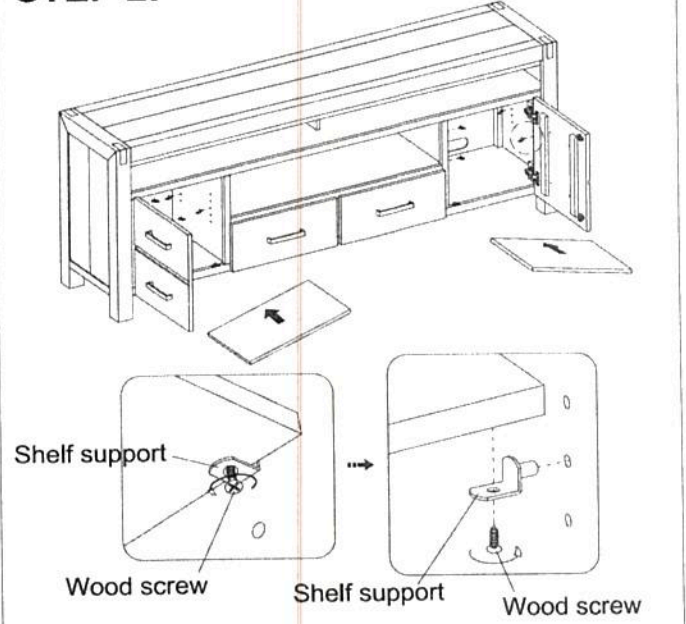
***Caution: Please read all instructions carefully before starting the assembly process. These parts are cumbersome and heavy. Therefore, two people are recommended in order to prevent personal injury and insure the parts are not damaged during the assembly.

STEP 1:



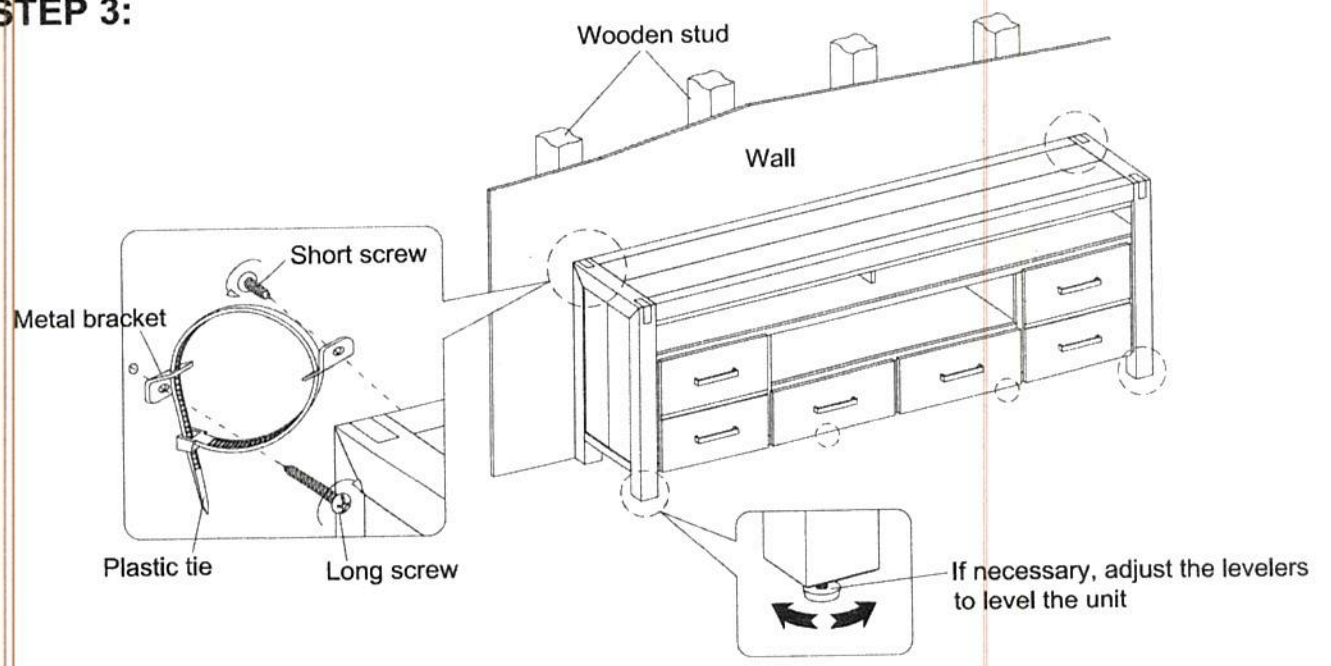
Install the handles to the front side of the door and drawer front panels.

STEP 2:



The adjustable shelves are pre-installed for shipping. If the shelf position is not to your liking, adjust them to your desired location.

STEP 3:



Use the two sets of tipping restraints between the unit and the wall