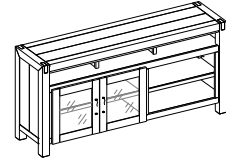


Assembly Instructions

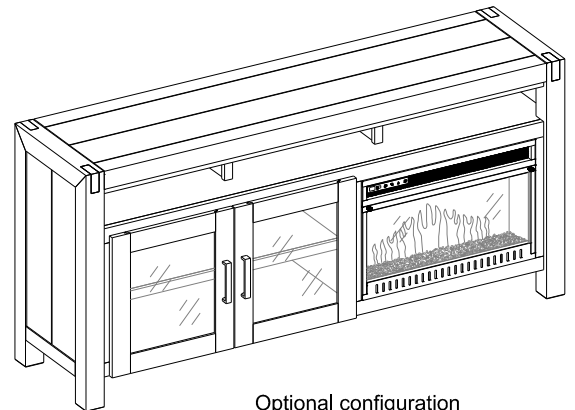
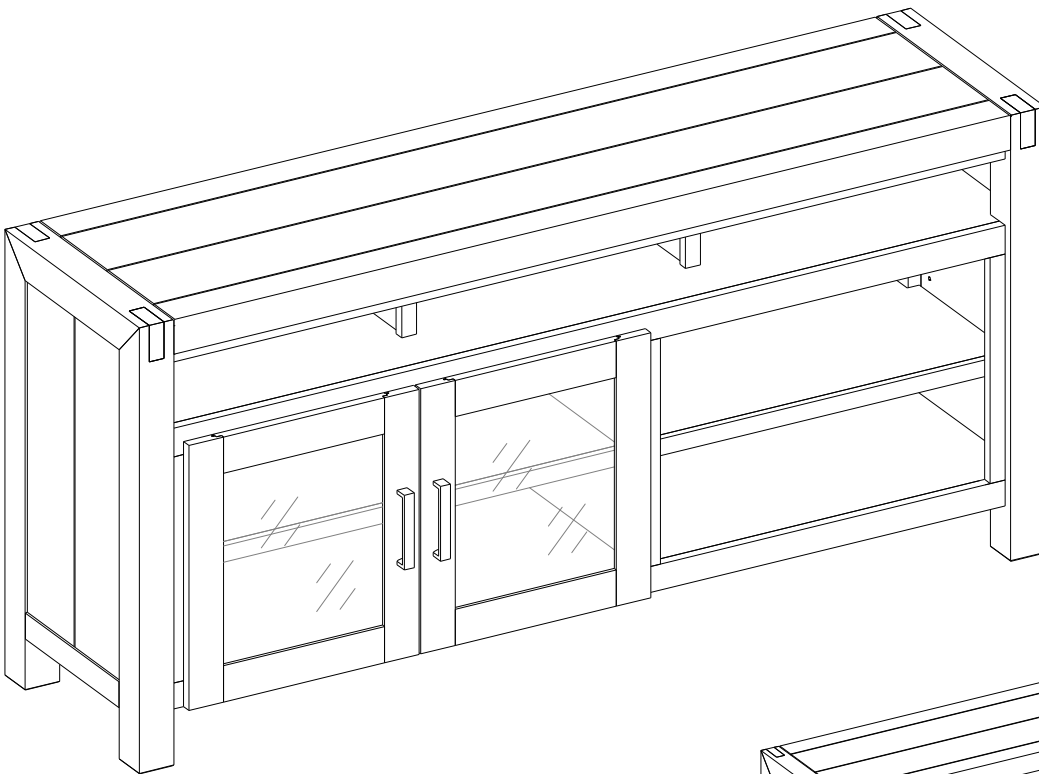
WHLM #CS72FPC26-MDN Matrix 72" Fireplace Optional Console Midnight SKU# 25456042
 WHLM #CS72FPC26O-VRG Matrix 72" Fireplace Optional Console Overland Gray SKU# 25457044
 WHLM #CS72FPC26-WNT Matrix 72" Fireplace Optional Console Washed Natural SKU# 25158040

PARTS

STEP	CODE	HARDWARE	Q'TY
3	A	TIPPING RESTRAINT HARDWARE KIT	2 SETS



1.FIREPLACE - 1PC



Optional configuration
(Fireplace insert sold separately)

Hardware Pack Location(s):

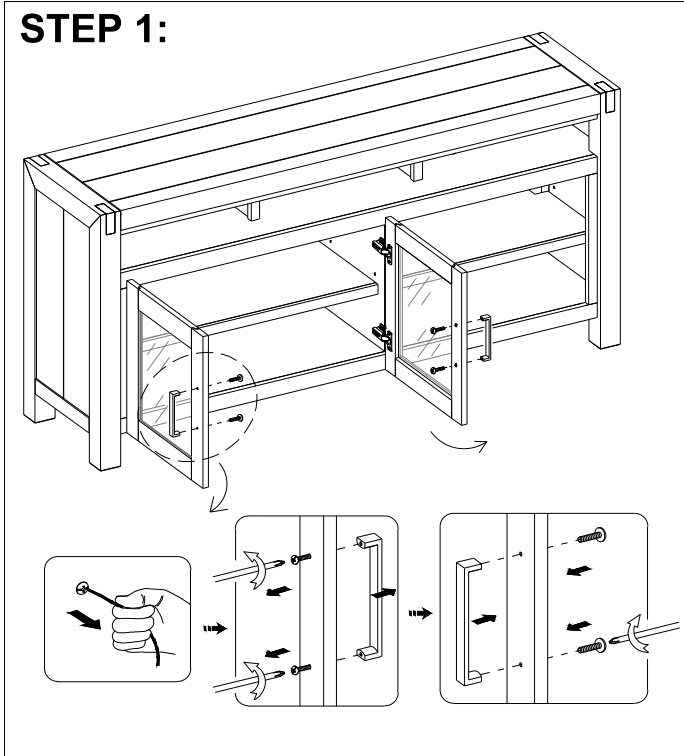
Attached on the back panel.

Matrix 72" Fireplace Optional Console Midnight SKU# 25456042
 Matrix 72" Fireplace Optional Console Overland Gray SKU# 25457044
 Matrix 72" Fireplace Optional Console Washed Natural SKU# 25158040

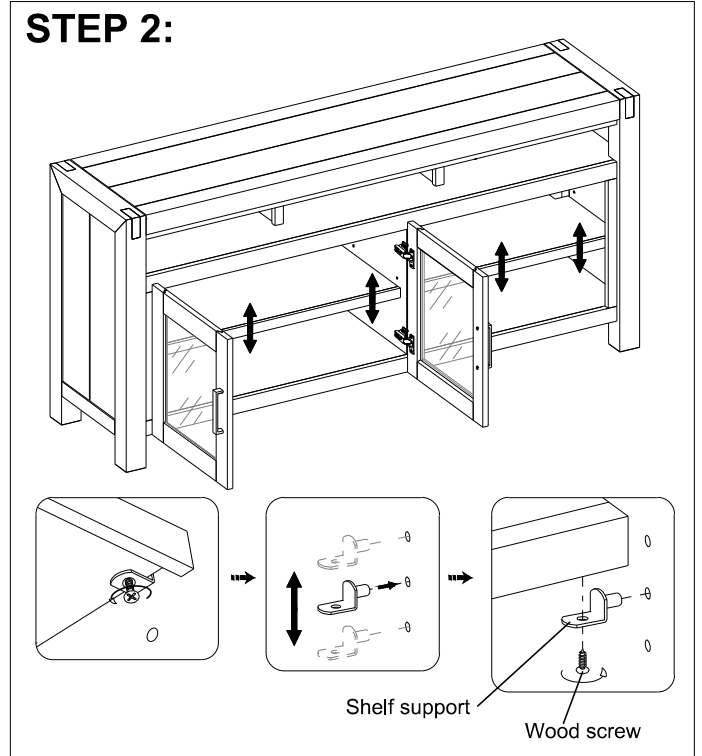
Assembly Instructions

WHLM #CS72FPC26-MDN	Matrix 72" Fireplace Optional Console	Midnight	SKU# 25456042
WHLM #CS72FPC26O-VRG	Matrix 72" Fireplace Optional Console	Overland Gray	SKU# 25457044
WHLM #CS72FPC26-WNT	Matrix 72" Fireplace Optional Console	Washed Natural	SKU# 25158040

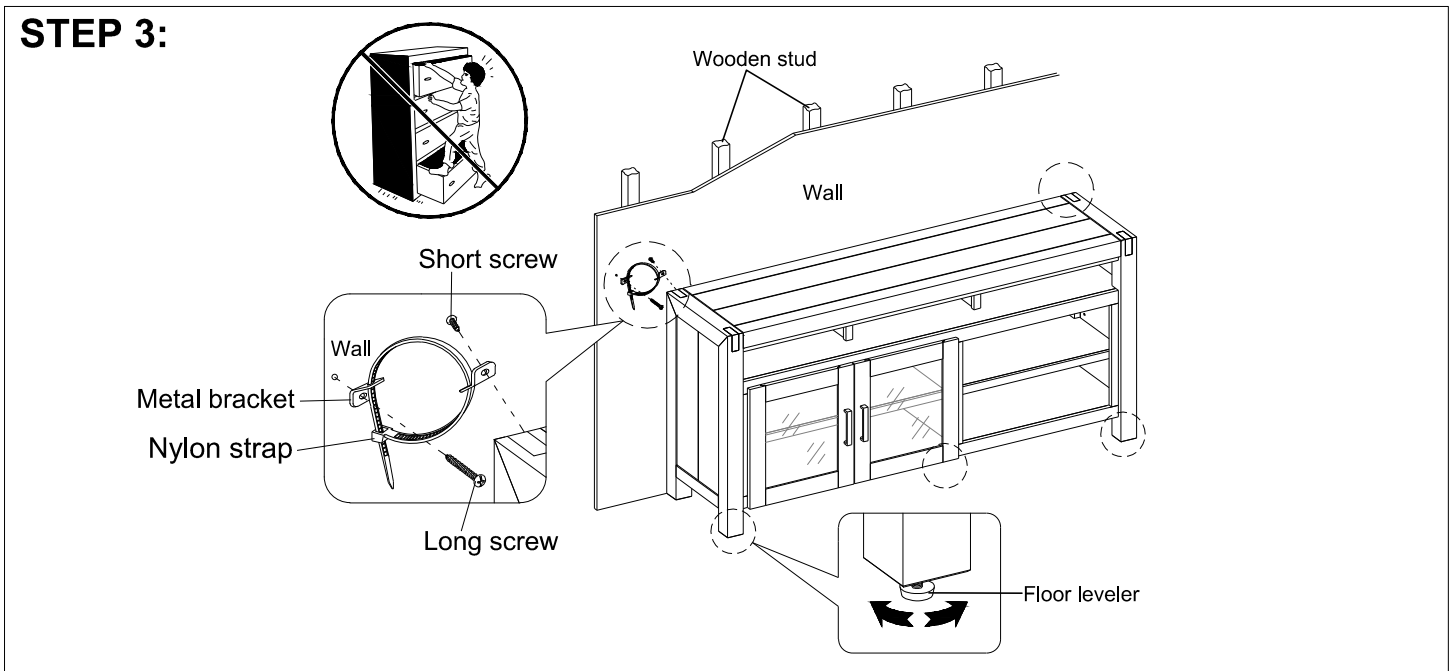
***Caution: Please read all instructions carefully before starting the assembly process. These parts are cumbersome and heavy. Therefore, two people are recommended in order to prevent personal injury and insure the parts are not damaged during the assembly.



- 1.1 Open the doors, remove the handles from inside.
- 1.2 Re-install the handle to the front side of each door with the unscrewed bolts.



- 2.1 The adjustable shelves are pre-attached when shipping.
- 2.2 If the shelf position is not to your liking, adjust them to your desired location.



Tools required (not provided): Phillips screwdriver, stud finder, pencil, tape measure, power drill and 1/8" drill bit.

- 3.1 Adjust the floor levelers to level the unit against the wall.
- 3.2 Secure the unit to the wall with the provided tipping restraint hardware kit.

The product is manufactured by (WHLM) for **ROOMS TO GO**

Assembly Instructions

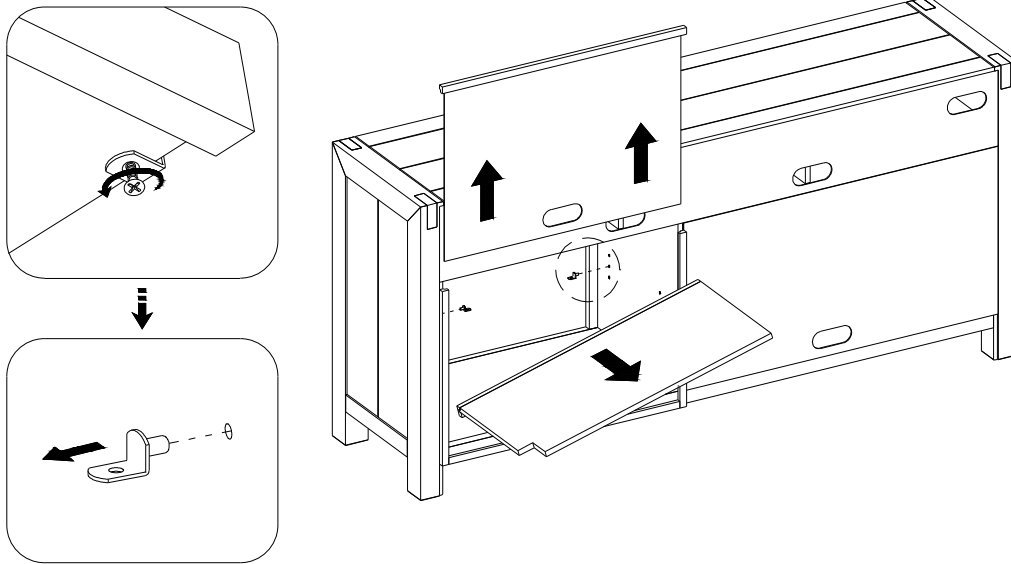
WHLM #CS72FPC26-MDN	Matrix 72" Fireplace Optional Console	Midnight	SKU# 25456042
WHLM #CS72FPC26O-VRG	Matrix 72" Fireplace Optional Console	Overland Gray	SKU# 25457044
WHLM #CS72FPC26-WNT	Matrix 72" Fireplace Optional Console	Washed Natural	SKU# 25158040

***Caution: Please read all instructions carefully before starting the assembly process. These parts are cumbersome and heavy. Therefore, two people are recommended in order to prevent personal injury and insure the parts are not damaged during the assembly.

STEP 4:

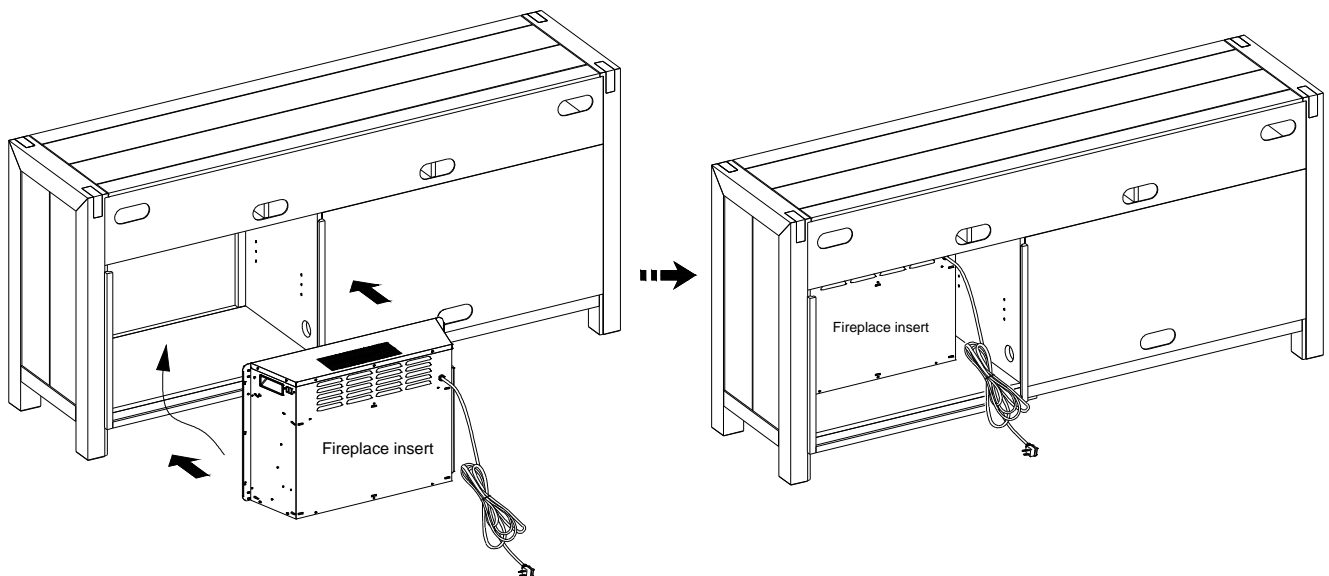
IMPORTANT NOTICE PLEASE READ

This unit has been designed to be a mantel which can accommodate a 26" W x 17" H fireplace insert. You can buy our electric fireplace (model # FPCR26-2AVN, sold separately) and combine with this console. If you don't want to treat it as a fireplace console, please ignore the following steps.



4.1 To apply the mantel configuration, take out the removable right back panel and then remove the right shelf by unscrewing the fasteners and shelf supports. Keep them in a proper place for future use.

STEP 5:



- 5.1 Lift the fireplace insert (sold separately) carefully and slide it into the opening.
- 5.2 Repeat "step 3" to secure the unit to the wall with the provided tipping restraint hardware kit.
- 5.3 Connect the fireplace to the power transformer. Follow the operating manual for the electric fireplace insert to control your fireplace.



NOTE: When using the mantel configuration, DO NOT install the back panel.

FURNITURE TIPPING RESTRAINT

YOUNG CHILDREN MAY BE INJURED BY TIPPING FURNITURE AND YOU MUST USE THIS TIPPING RESTRAINT TO ATTACH THIS UNIT TO THE WALL, TO PREVENT ACCIDENTS AND/OR INJURIES.

THIS HARDWARE MUST BE PROPERLY INSTALLED (FOLLOW ALL DIRECTIONS IN ORDER ON THIS INSTRUCTIONS), TO PROVIDE PROTECTION AGAINST THE UNEXPECTED TIPPING OF FURNITURE DUE TO IMPROPER USE.

THIS PRODUCT IS ONLY A DETERRENT. IT IS NOT A SUBSTITUTE FOR PROPER ADULT SUPERVISION. USE OF TIP-OVER RESTRAINTS MAY ONLY REDUCE, BUT NOT ELIMINATE, THE RISK OF TIP-OVER.

 WARNING	
	<p>Children have died from furniture tip-over. To reduce the risk of furniture tip-over:</p> <ul style="list-style-type: none">• ALWAYS install anti-tip device provided.• FOR use with televisions weighing 135 lb / 61.2 kg or less. Use with heavier televisions may result in instability causing tip-over resulting in death or serious injury.• NEVER allow children to stand, climb or hang on any drawers, doors, or shelves.• Place heaviest items in the lowest drawers. <p>Use of tip-over restraints may only reduce, but not eliminate, the risk of tip-over.</p>

CARING FOR YOUR FURNITURE

Protect your investment

The beauty of furniture care is that it helps to protect your investment, as fine furniture is an important purchase. Proper care will help maintain your furniture's finish and ensure that it looks great year after year.

Caring for furniture

Caring for furniture is easy. Following a few simple guidelines will help extend the life of your furniture.

- **Always dust with a cloth moistened with polish.** Polish cushions the cloth, eliminating the scratching that occurs with dry dusting. Dust will scratch furniture if not removed quickly. Use a soft, clean cloth that won't scratch the surface. Avoid coarse or scratchy materials or fabrics.
- **Avoid using soap and water on furniture.** Water can penetrate the finish and raise the grain on wood. Causing damage.

The Enemies of Furniture

Many common problems in furniture care are caused by the elements. If you are aware of these troublemakers, the resulting damage can easily be avoided.

- Sunlight's ultraviolet rays can damage wood finishes. Arrange furniture out of direct sunlight use sun screening drapes during intense sunlight hours, rotate furniture in place and room arrangement.
- Liquid spills will damage furniture if not removed promptly. Use coasters under beverage glasses and saucers under cups and flowerpots. If a spill occurs, immediately blot it gently without rubbing the surface.
- Heat creates a chemical change in the furniture finish, which can result in a white spot. Use protective mats under hot dishes, utensils or cooking appliances.
- Cyclic changes in temperature can damage furniture. Placing furniture near to central heating radiators and air ducts should be avoided because this causes extreme localized drying of the wood.

Tips for Better Dusting

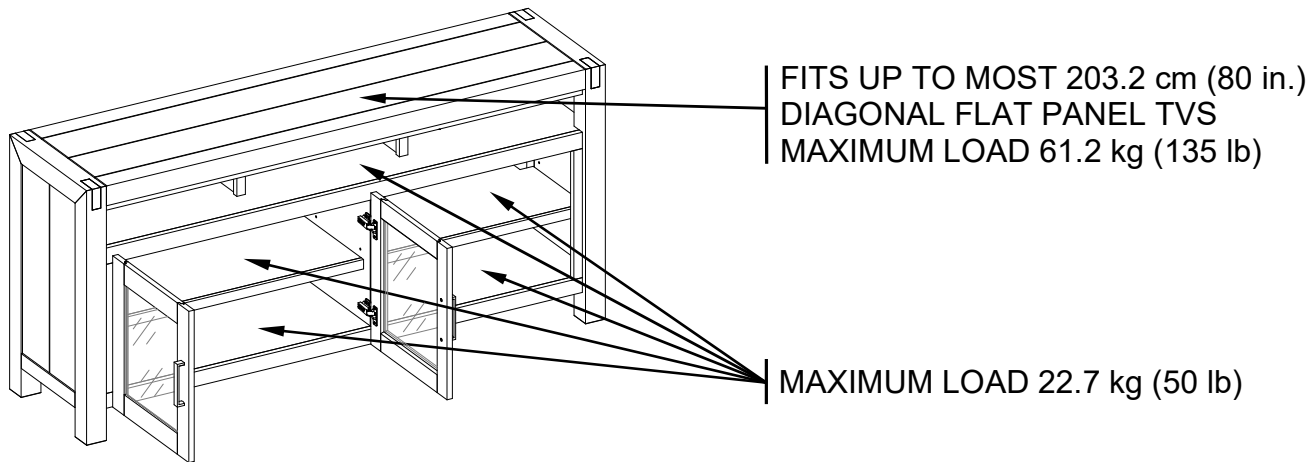
- Be sure to use the same type of polish consistently. Your furniture will appear cloudy or streaky if oil based or wax based polishes are interchange.
- **Always use a fine furniture polish when dusting.** Never dry dust, as it could cause microscopic scratches on your furniture's surface. Remember to change dusting cloths frequently since a dirty cloth may scratch your furniture's surface.
- Spray your furniture surface evenly, but not too generously. Wipe in a circular motion with a soft, clean cloth to clean and loosen old polish.
- Then buff until completely dry for a beautiful shine and a smudge free finish. For wood trim spray polish on the cloth first, then dust.

MAXIMUM RECOMMENDED WEIGHT LOADS

MANUFACTURER: Rooms To Go

CATALOG : Matrix 72" Fireplace Optional Console

MODEL # CS72FPC26-MDN / CS72FPC26O-VRG / CS72FPC26-WNT



WARNING

THIS UNIT IS NOT INTENDED FOR USE WITH CRT TVS. USE ONLY WITH FLAT PANEL TVS AND AUDIO/VIDEO EQUIPMENT MEETING RECOMMENDED SIZE AND WEIGHT LIMITS. NEVER USE WITH LARGER/HEAVIER THAN RECOMMENDED FLAT PANEL TVS OR EQUIPMENT. TO AVOID INSTABILITY, PLACE FLAT PANEL TV IN THE CENTER OF THE UNIT; THE BASE OF THE TELEVISION MUST BE ABLE TO REST ON THE SUPPORTING SURFACE OF THE UNIT WITHOUT OVER-HANGING THE EDGES. IMPROPERLY POSITIONED FLAT PANEL TVS, OR FLAT PANEL TVS INCLUDING OTHER EQUIPMENT THAT EXCEED RECOMMENDED SIZE AND WEIGHT LIMITS COULD FALL OFF OR BREAK THE UNIT, CAUSING POSSIBLE SERIOUS INJURY. FOR USE WITH TELEVISIONS WEIGHING 135 LB (61.2 KG) OR LESS. USE WITH HEAVIER TELEVISIONS MAY RESULT IN INSTABILITY CAUSING TIP OVER RESULTING IN DEATH OR SERIOUS INJURY.

WARNING

Please use your furniture correctly and safely. Improper use can cause safety hazards, or damage to your furniture or household items. Carefully read the following safety information.

This unit is not intended for use with CRT TVs. The top surface maximum weight capacity is 135 lb (61.2 kg) and maximum load 80" (203.2 cm) diagonal flat-panel TV. The shelf maximum recommended weight allowance is 50 lb (22.7 kg). Use with heavier televisions may result in instability causing tip over resulting in death or serious injury.

WARNING - Death or serious injury may occur when children climb on audio and/or video equipment furniture. A remote control or toys placed on the furnishing may encourage a child to climb on the furnishing and as a result the furnishing may tip over onto the child.

NEVER allow children to climb or play with the TV or furnishing supporting the TV.

NEVER place toys, food, remote, etc. on top of the TV or TV furnishing.

ALWAYS use either the safety hardware as instructed or other wall anchoring device.

WARNING - Relocating audio and/or video equipment to furniture not specifically designed to support audio and/or video equipment may result in death or serious injury due to the furnishing collapsing or over turning onto a child.

NEVER place a TV on furniture that is not intended to support a TV.

NEVER exceed the maximum size and weight of the TV shown in the instructions.

Be sure to refer to the TV warning label as shown in the instructions.

Overloading drawers and shelves may result in furniture that can break or sag, or tip-over which may result in injury.

NEVER exceed the weight limits shown in the instructions.

Place the heavier items on lower shelves as far back from the front as possible.

Load the bottom surfaces first to avoid top-heavy furniture.

Moving furniture that is not designed to be moved or equipped with casters may result in injury or damage to furnishings or personal property.

ALWAYS unload shelves and drawers, starting with the top surfaces, before moving.

NEVER push or pull furniture on carpet. Have a friend help lift properly to move and/or reposition it.

ALWAYS place TV no more than two inches from the back edge of the console. Placing TV more than two inches from the back edge may increase the risk that the console will tip over.

The console is not meant as a seat and no one should be sitting or standing on the console.

QUALITY GUARANTEE

We are confident that you will be delighted with your Whalen Furniture purchase.

Should this product be defective in workmanship or materials or fail under normal use, we will repair or replace it for up to one (1) year from date of purchase. Every Whalen Furniture product is designed to meet your highest expectations. We guarantee that you will immediately see the value of our fine furniture.

This warranty gives you specific legal rights and you may also have other rights which vary from state to state or province to province.

Whalen Furniture Manufacturing
1578 Air Wing Road, San Diego, CA 92154, USA
Customer Service: 1-866-942-5362
8:30 a.m. - 4:30 p.m., PST, Monday to Friday
www.whalenfurniture.com