

ASSEMBLY INSTRUCTIONS

MODEL No. 1564IRC INDIAN RUSTIC CHERRY

MODEL No. 1564HJ RUSTIC LATTE

MODEL No. 1564DW WEATHER PINE

MODEL No. 1564CW CRACKLE WHITE

TV CONSOLE

Important: Be sure to check all packing material carefully for small parts which may come loose inside carton during shipment. Separate, identify and count all parts and metal hardware.

Compare with parts list and hardware illustrations to be sure all parts are present. If any parts(s) are missing or damage, contact you dealer's customer service department. For efficient and speedy service, please indicate the model number and the parts needed.

Attention: Some lettered parts listed on the instruction sheets may not be in the parts bag, they may already be assembled.

TOOLS REQUIRED: (Not Included)
Phillips Screwdriver

HARDWARE:

Knob Pull Part No. HBJ-638 (2 pcs.)

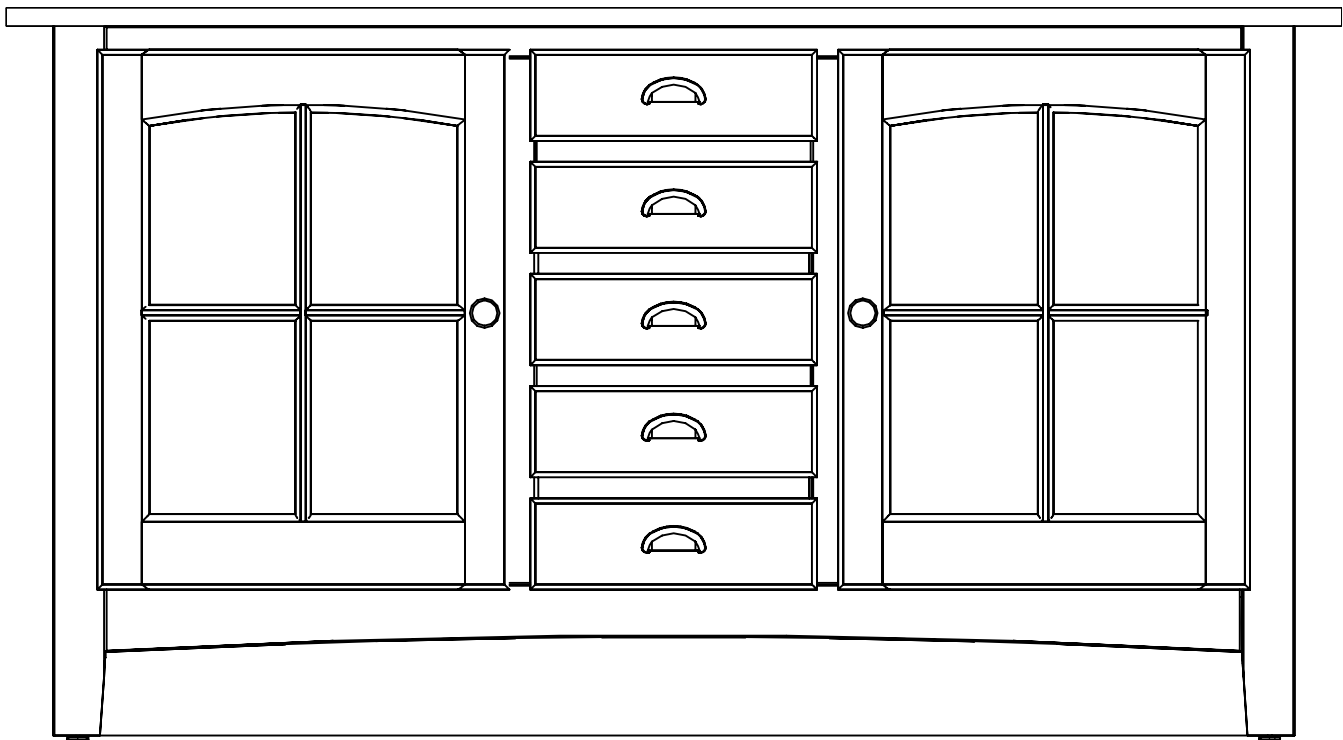
Bolt 8/32 X 1 " Part No. HCPP-07A (2 pcs.)

Cup Pull Part No. HBJ-3356NS (5 pcs.)

Bolt 8/32 X 5/8" Part No. HCPP-05A (10 pcs.)

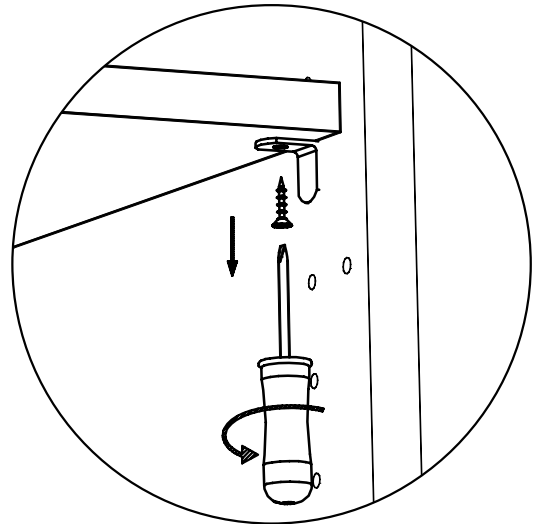
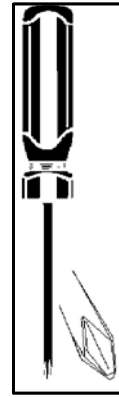
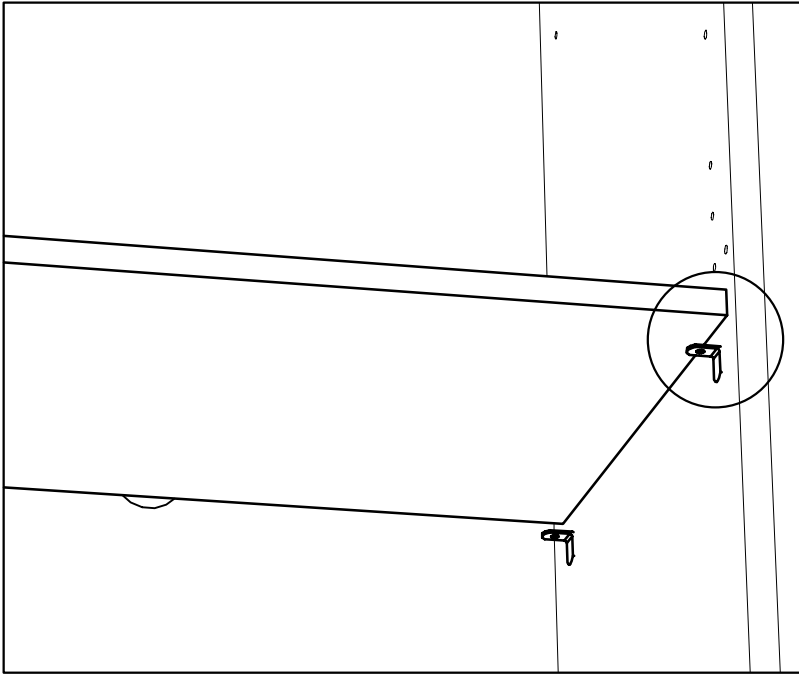
Anti-Tip Part No. HB-488 (1 pc.)

**Anti-tip strap for TV Console is included inside red hardware bag.
To install, please follow the Anti-Tip bag instructions carefully.**

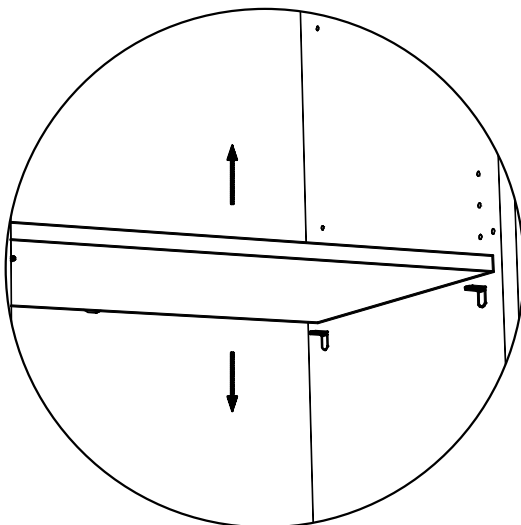


INSTRUCTIONS SHEET

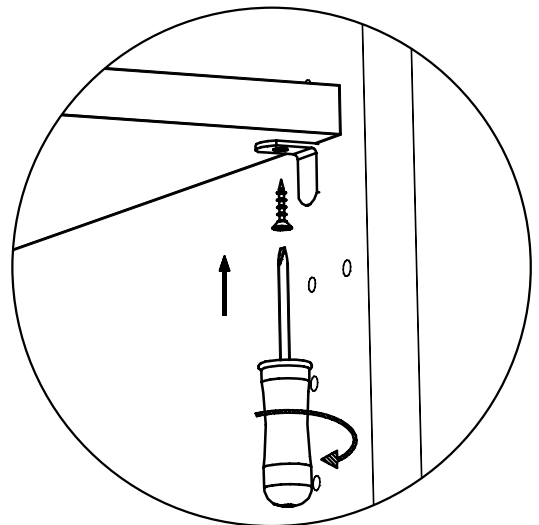
ADJUSTABLE WOOD SHELF



Step 1.



Step 2.



Step 3.