













MADISONPARK HUDSON CHEST

Assembly instructions:

PARTS LIST

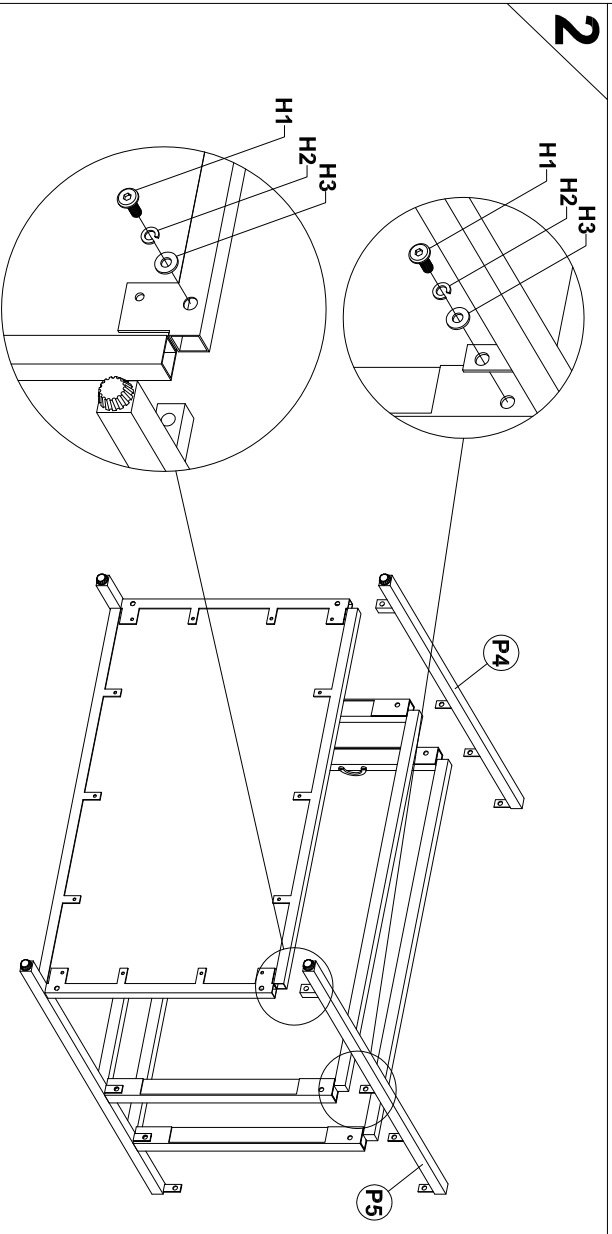
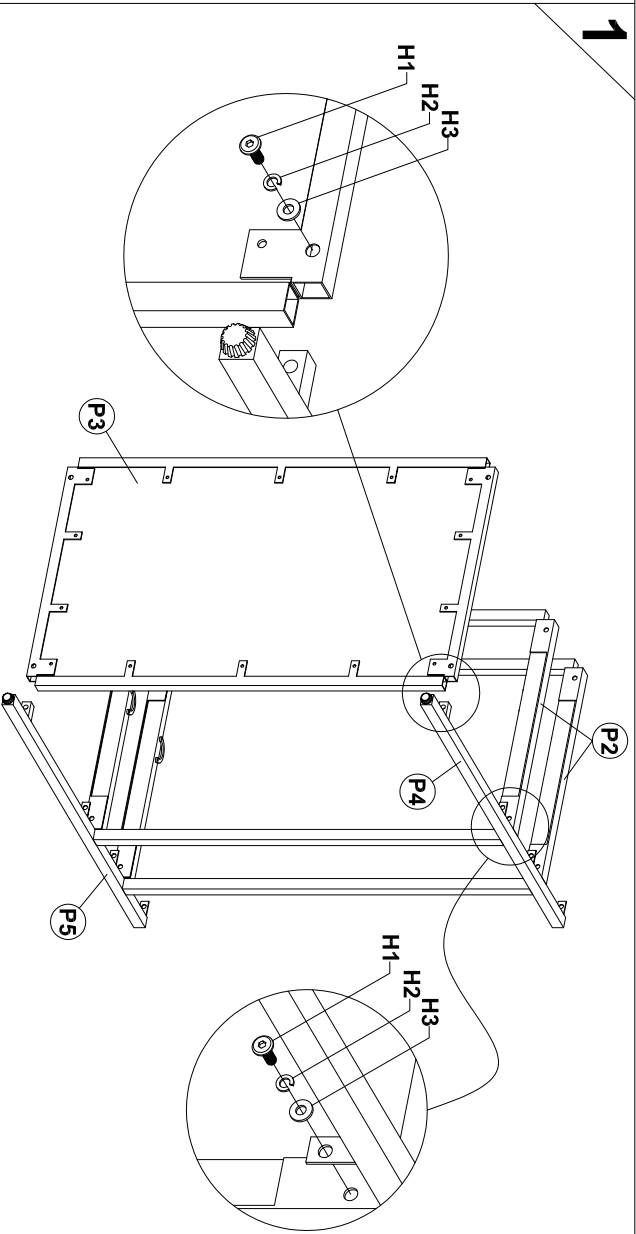
No.	DESCRIPTION	IMAGE	QTY
P1	TOP FRAME		1
P2	MIDDLE FRAMES		2
P3	BOTTOM FRAME		1
P4	LEFT LEG		2
P5	RIGHT LEG		2
P6	DRAWERS		2

HARDWARE LIST

No.	DESCRIPTION	IMAGE	QTY
H1	6x20 BOLT		16
H2	SPRING WASHER		16
H3	FLAT WASHER		16
H4	ALLEN KEY		1
H5	ANTI TIP KIT		1 SET
H6	SCREW DRIVER		NOT PROVIDE

NOTE: PO# is located underneath/ inside of each item. Please be prepared to provide this # should any claim be necessary.

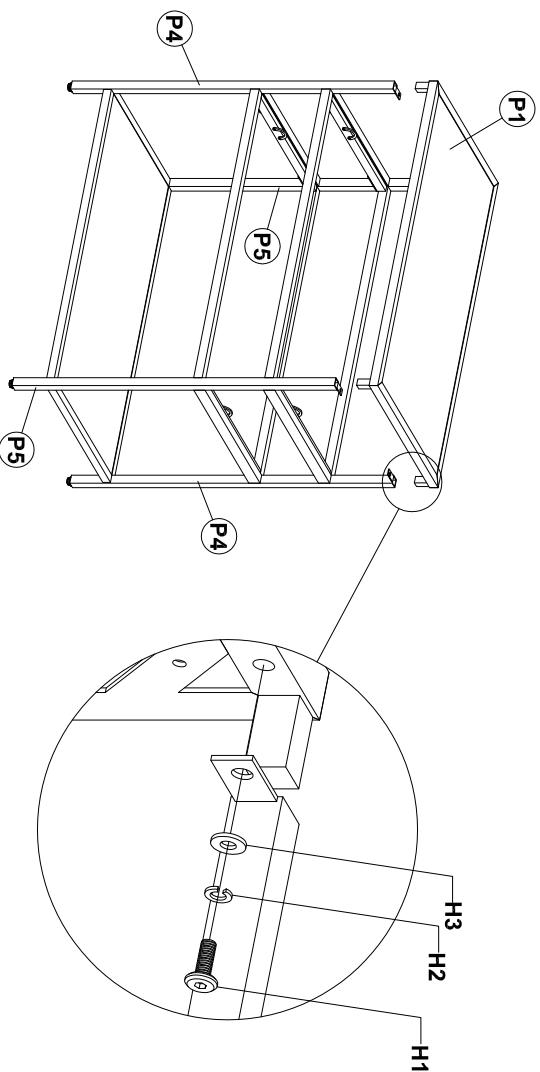
CAUTION: Item is heavy assembly should be performed by two people.



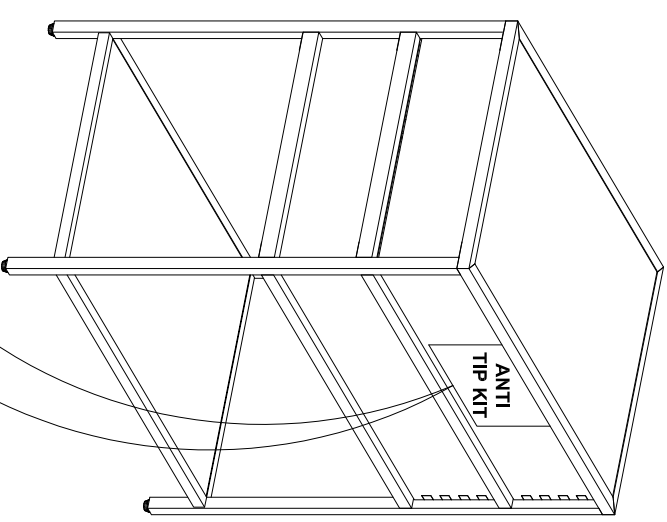
MADISONPARK HUDSON CHEST

Assembly instructions:

3

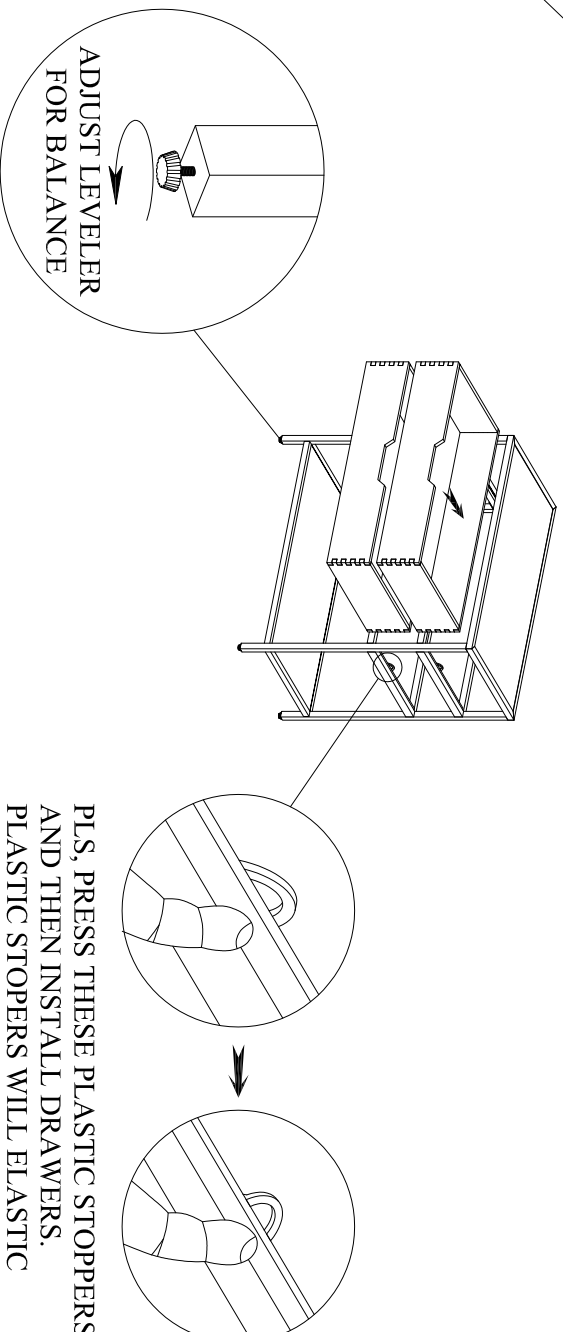


5



Anti Tip Kit hardware has been attached to the product. Pls, install to the wall to prevent product from tipping

4



ADJUST LEVELER FOR BALANCE

PLS, PRESS THESE PLASTIC STOPPERS AND THEN INSTALL DRAWERS. PLASTIC STOPPERS WILL ELASTIC BY THEMSELVES

ASSEMBLED COMPLETE