

MADISON **PARK** ASSEMBLY INSTRUCTIONS

Description: Lexnox Chest




Important safety instructions:

- Please carefully read all instructions before assembling the chest.
- For your safety and ease, assembly by two or more adults is recommended.
- Keep instructions for future use.






Pre-assembly:

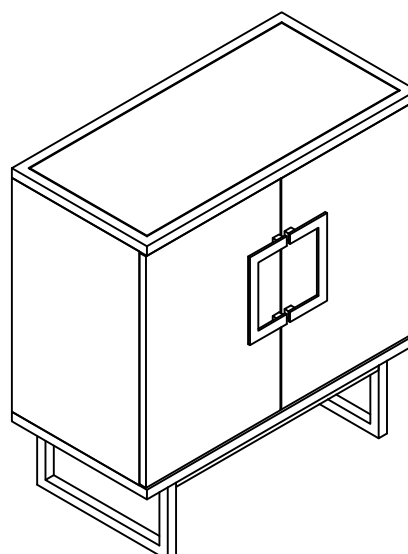
- Do not discard any contents until after assembly is complete to avoid accidentally discarding small parts or hardware.
- Remove all parts and hardware from box along with any plastic protective packaging.

Parts List

Item	Description	QTY
A	Chest 	1
B	Rails 	2
C	Side Frames 	2



Hardware List

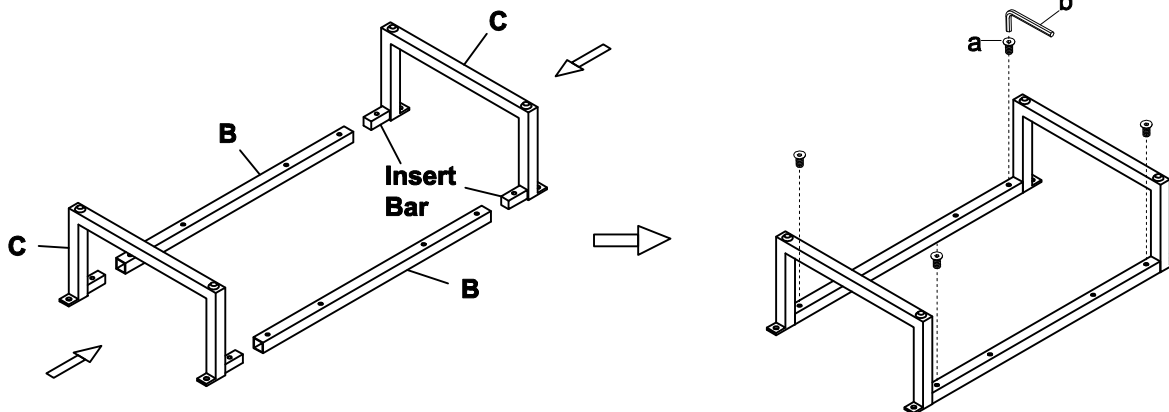
Item	Description	QTY
a	Bolts $\text{Ø}1/4" \times 5/8"$ 	4
b	Allen Wrench 1/4" 	1
c	Bolts $\text{Ø}5/16" \times 1"$ 	4
d	Bolts $\text{Ø}5/16" \times 1-3/4"$ 	4
e	Allen Wrench 5/16" 	1



Assembly Procedures:

Step 1. Assemble the chest on a flat, soft surface such as a carpet or cloth to prevent scratching the finish. Attach left/right side frame (C) to the rails (B) aligning insert bar on side frames (C) to the end of rails (B) using bolts (a) as shown below. Securely tighten the bolts with Allen wrench (b).

- (a)x4 Bolts $\text{Ø}1/4" \times 5/8"$ 
- (b)x4 Allen Wrench 1/4" 



Step 2.

- 1) Turn over the chest (A) on a flat, soft surface such as a carpet or cloth.
- 2) Then loosely attach the assembled base (B,C) to the bottom of the chest (A) using bolts (c,d) as shown below. Securely tighten all bolts with Allen wrench (e).

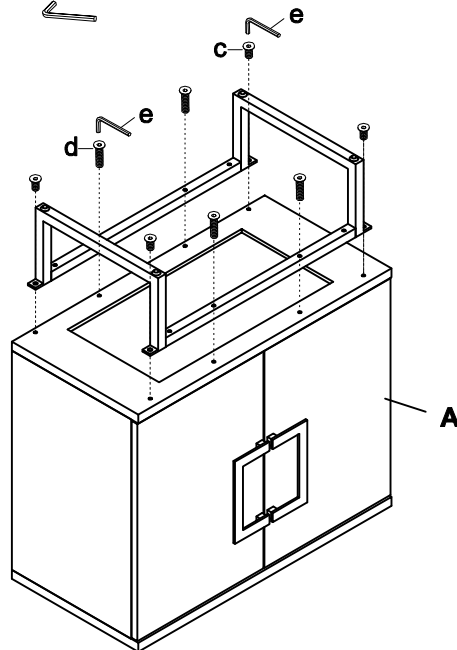
(c)x4 Bolts Ø5/16"x1"



(d)x4 Bolts Ø5/16"x1-3/4"

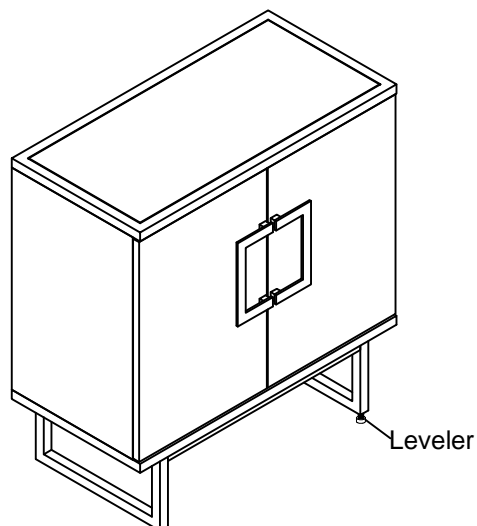


(e)x8 Allen Wrench 5/16"



Step 3.

- 1) Turn the assembled chest to an upright position.
- 2) Leveler adjustment: Levelers are pre-installed on the legs and adjust as needed to make sure the desk is level. Assembly is complete. **Failure to follow these instructions may cause the bolts to misalign during assembly.**



ADDITIONAL NOTE ABOUT SAFETY: BOLTS MAY LOOSEN DURING NORMAL EVERYDAY USE. THEY SHOULD BE PERIODICALLY INSPECTED AND RE-TIGHTENED TO PREVENT DAMAGE OR INJURY. ALWAYS CHECK TO BE SURE THAT ALL HARDWARE IS KEPT TIGHTENED.

Thank you for your purchase