

## ASSEMBLY INSTRUCTIONS

Description: Rubrix 3 Drawer Chest



### Important safety instructions:

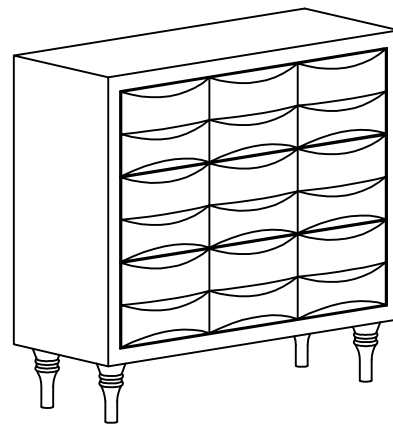
- Please carefully read all instructions before assembling the chest.
- For your safety and ease, assembly by two or more adults is recommended.
- Keep instructions for future use.

### Pre-assembly:

- Do not discard any contents until after assembly is complete to avoid accidentally discarding small parts or hardware.
- Remove all parts and hardware from box along with any plastic protective packaging.

### Parts List

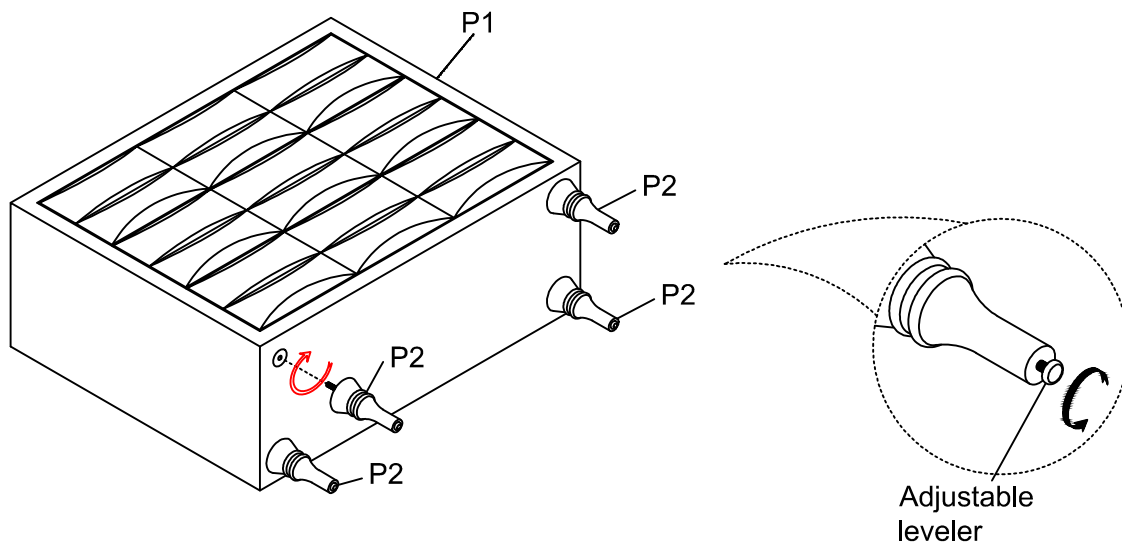
Item	Description	QTY
P1	Chest 	1
P2	Feet 	4



### Assembly Procedures:

Step 1. Assemble the chest on a flat, soft surface such as carpet or cloth to prevent scratching the finish.

- 1) Attach each foot (P2) to the bottom of chest (P1), securely tighten all feet, but do not over tighten the feet.
- 2) Turn the assembled chest to an upright position.
- 3) **Leveler adjustment:** Leveler are pre-installed on the legs and adjust as needed to make sure the chest is level. Assembly is complete.



Thank you for your purchase