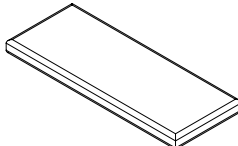
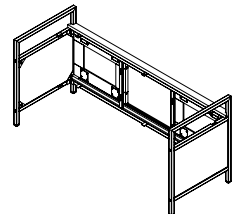
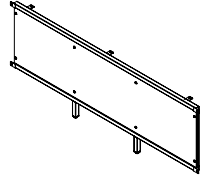
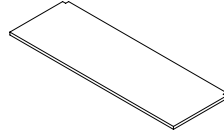
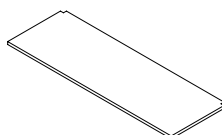
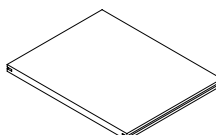
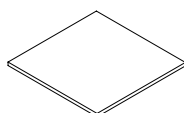
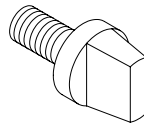

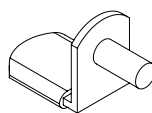
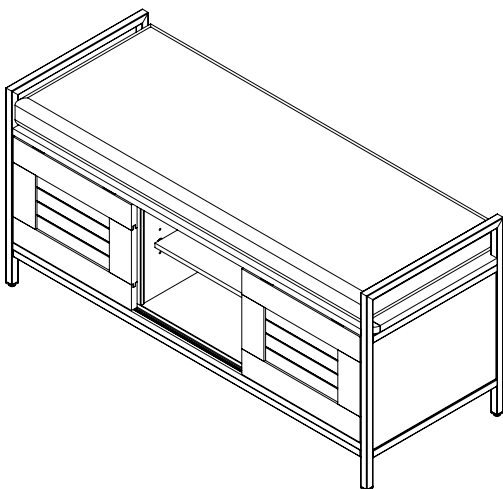


ASSEMBLY INSTRUCTION

E652GA-14 STORAGE BENCH WITH CUSHION

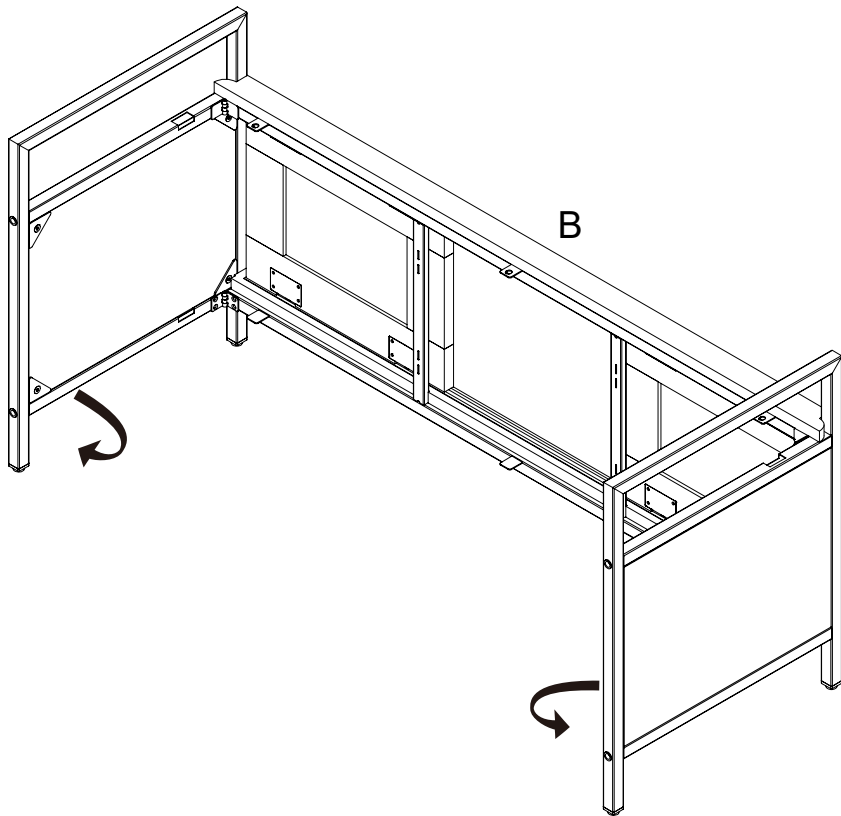
A Seat Cushion  1PC	B Front Frame  1PC	C Back Frame  1PC	D Seat Panel  1PC
E Bottom Panel  1PC	F Divider Panel  2PCS	G Shelf Panel  1PC	H Bolt 1/4" x 13L  10PCS
I Metal Plate  8PCS	J Shelf Pin  4PCS		



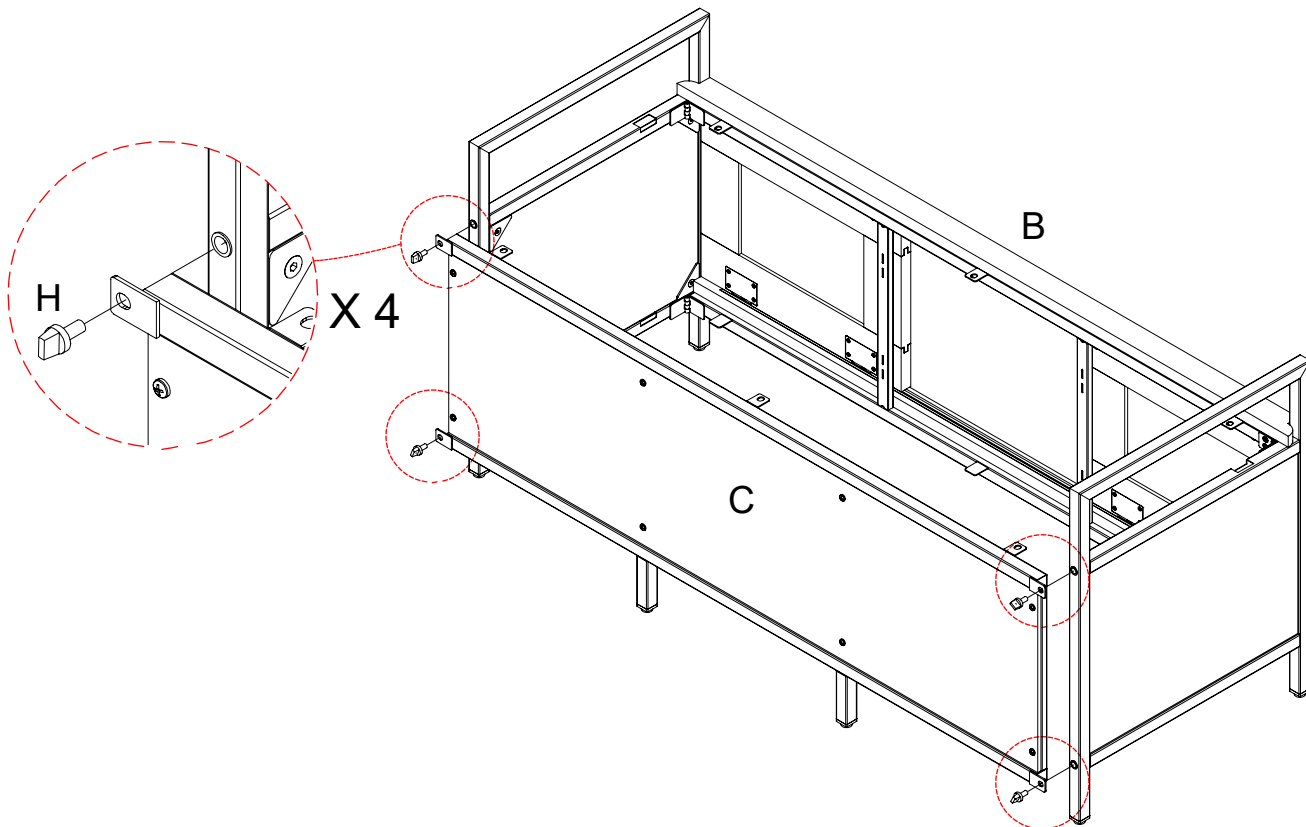
This page lists all the contents included in the box. Please take the time to identify the hardware as well as the individual components to this product. As you unpack and prepare for assembly, place the contents on a carpeted or padded area to protect them from damage.

***Do not tighten screws & bolts until the entire unit is completely assembled.

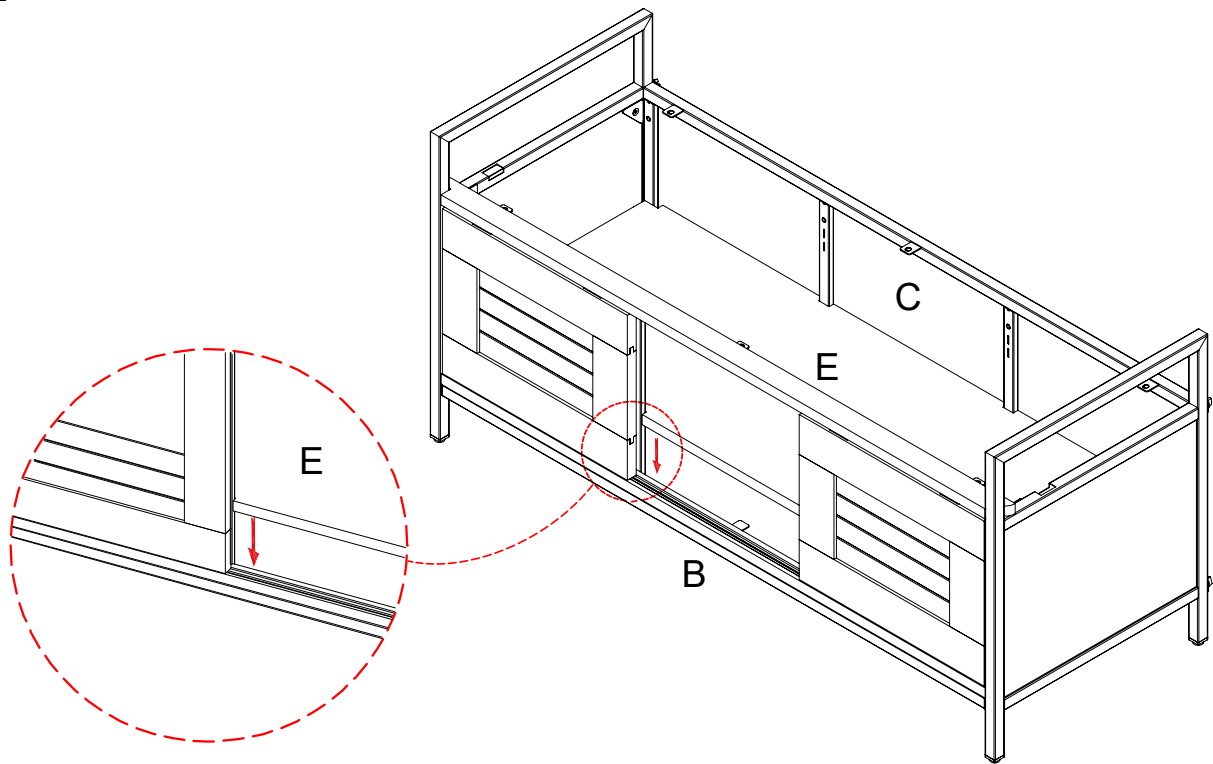
1 Unfold the Front Frame (B).



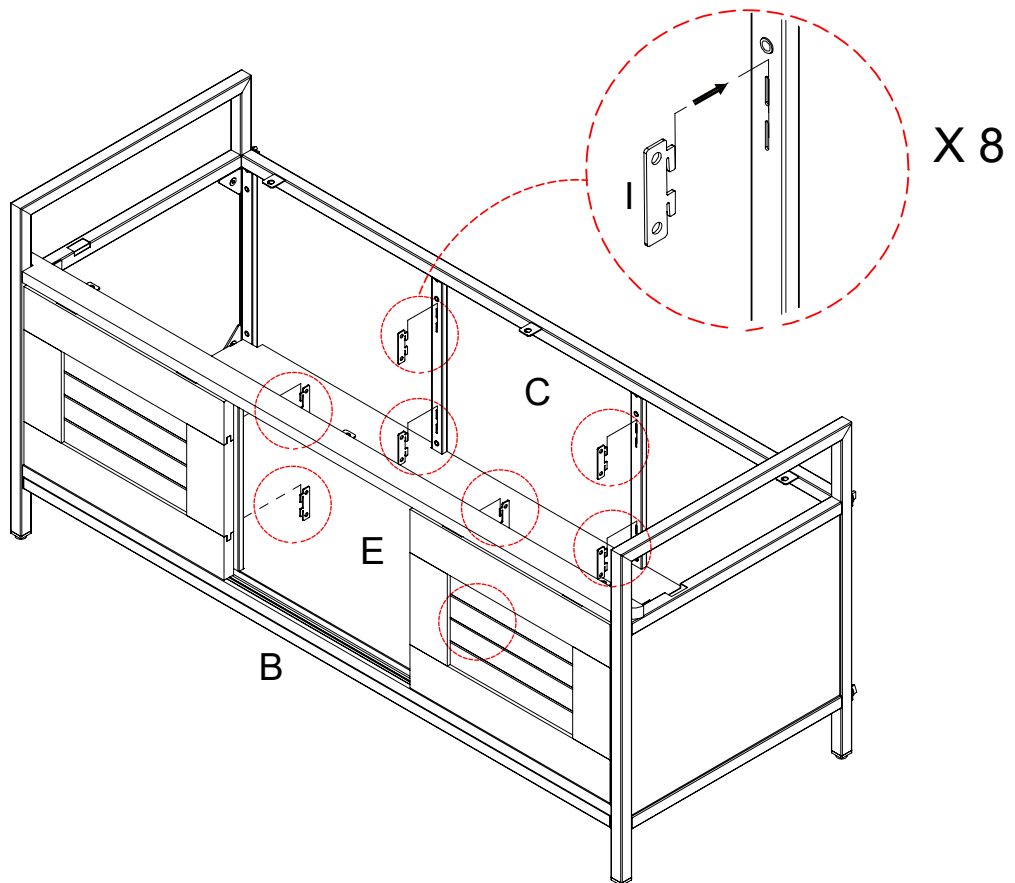
2 Attach Back Frame (C) to the Front Frame (B) by using Bolt (H).



3 Place Bottom Panel (E) to the bottom of the frame.

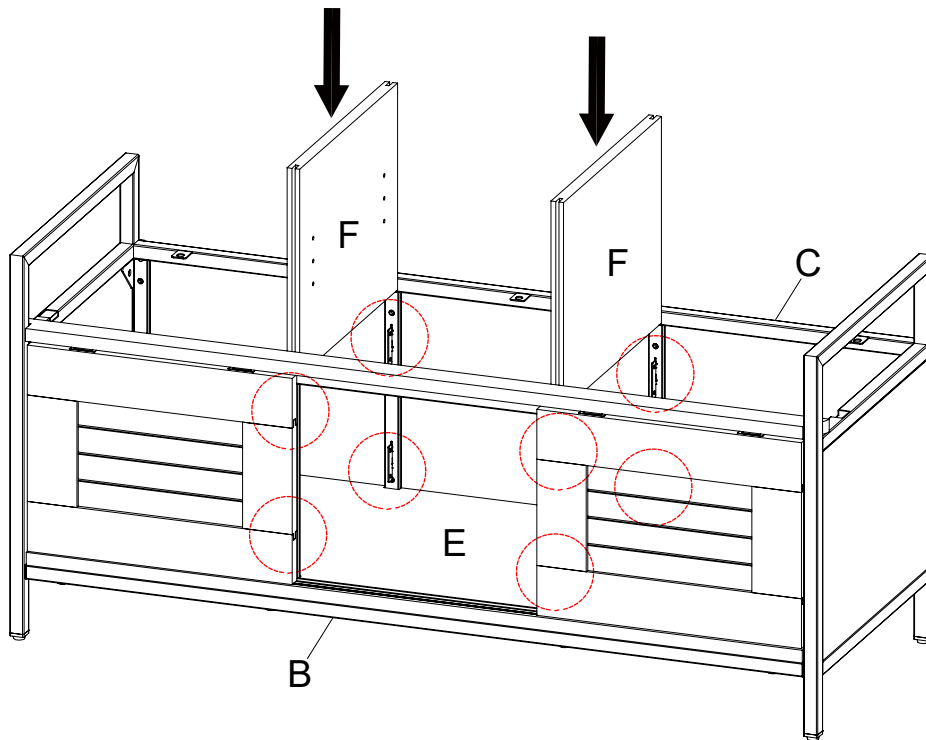


4 Insert Metal Plate (I) to the holes on Front Frame (B) and Back Frame (C).

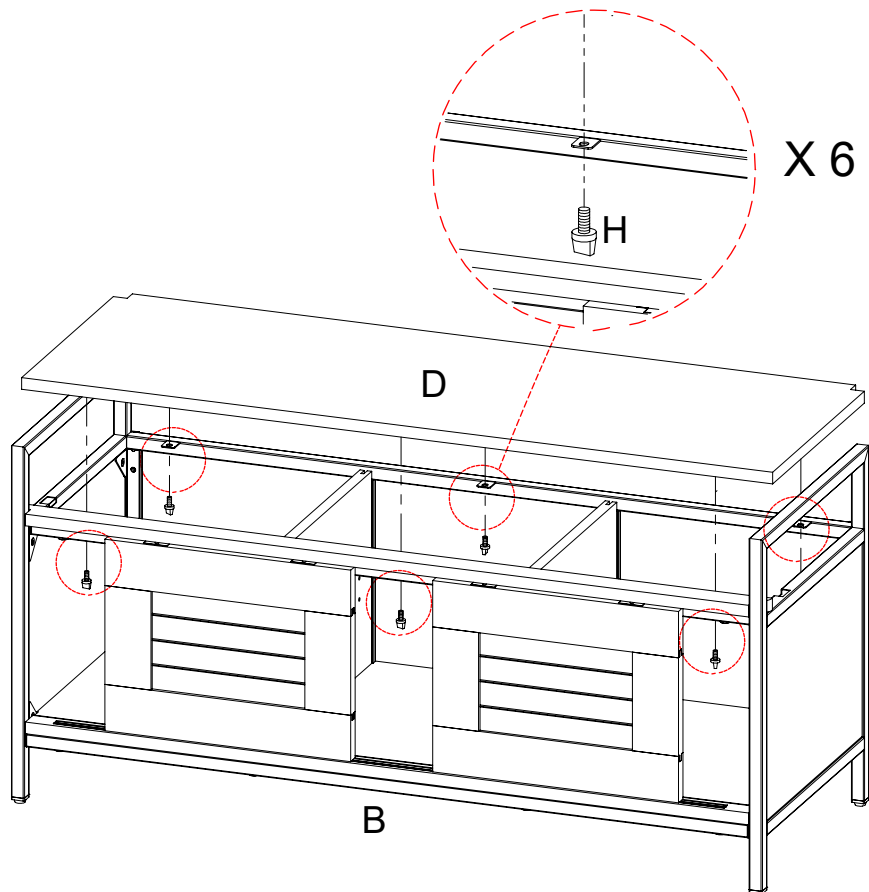


5

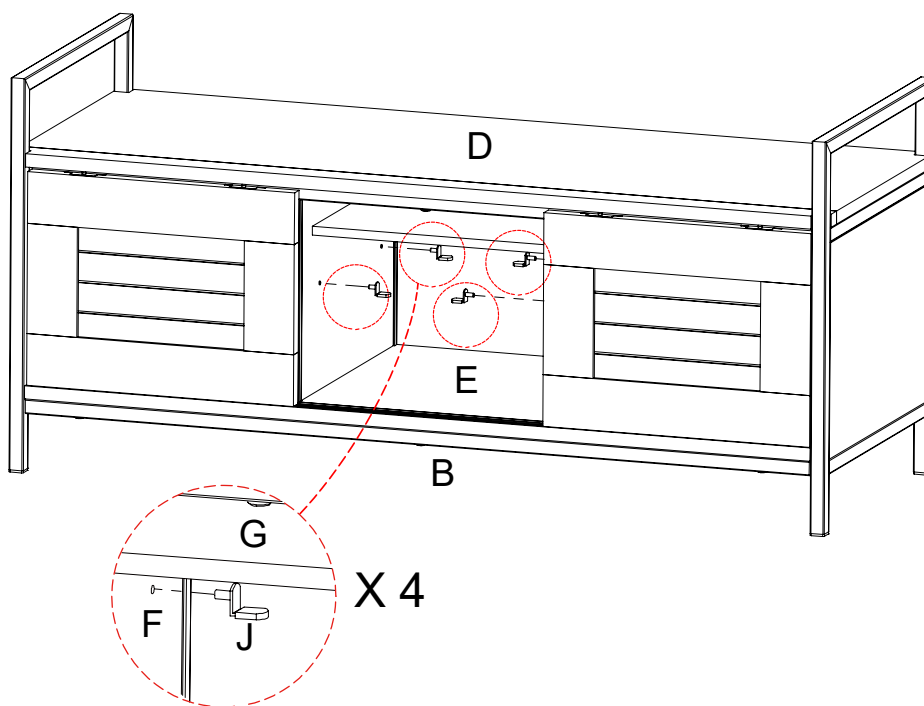
Slide the Divider Panel (F) through the Metal Plate (I). Make sure the dividers are facing correctly.

**6**

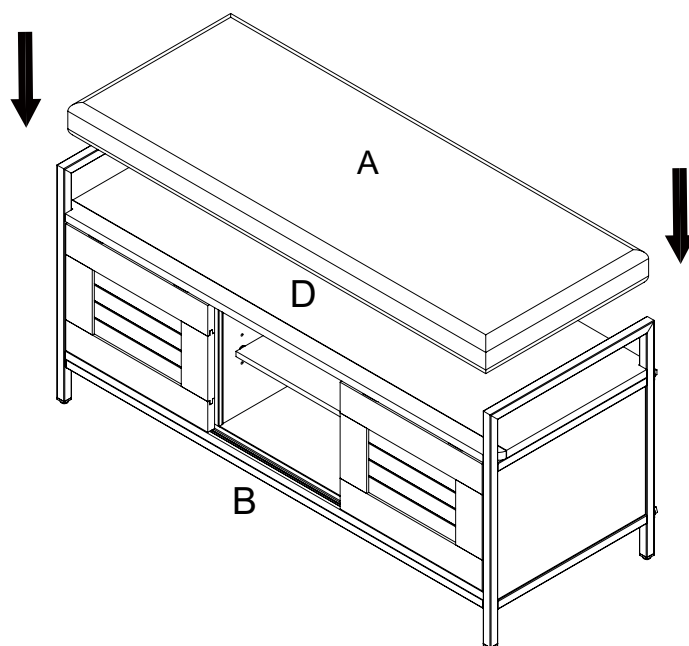
Attach Seat Panel (D) to the unit by using Bolt (H).



7 Insert Shelf Pin (J) to the holes of Divider Panel (F) and place Shelf Panel (G) onto the Shelf Pin (J).



8 Place the Seat Cushion (A) onto the bench. Product is now completely assembled.



Cleaning & Care

Treat surface with care. Surface is resistant to scratches but is not scratch resistant. Clean surfaces with a dry or damp soft cloth. Do not use abrasive cleaners. Hardware may loosen over time. Periodically check that all connections are tight.