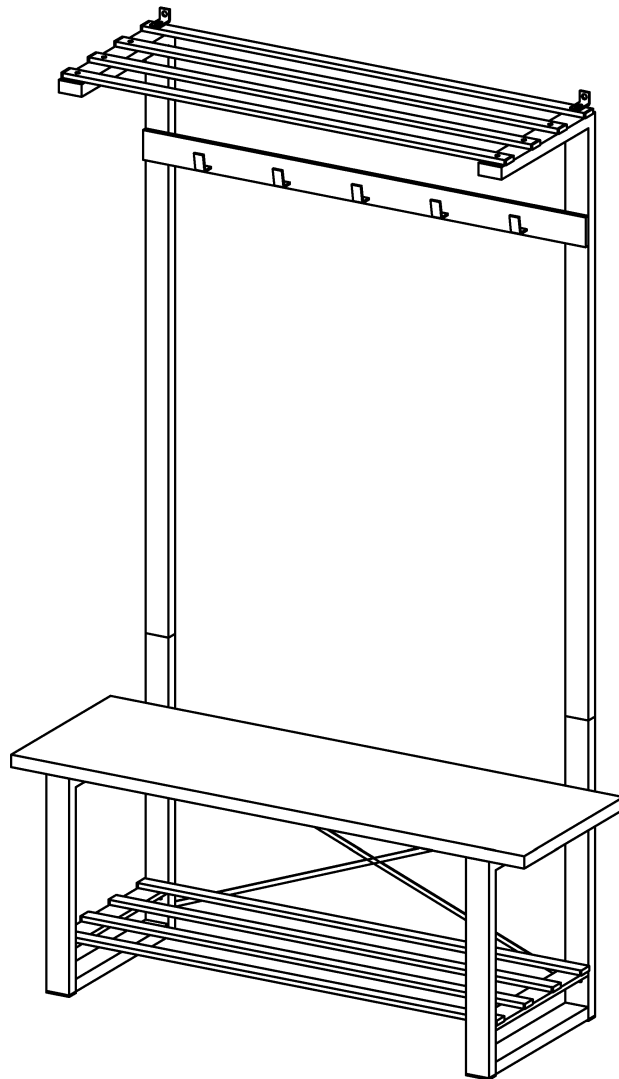


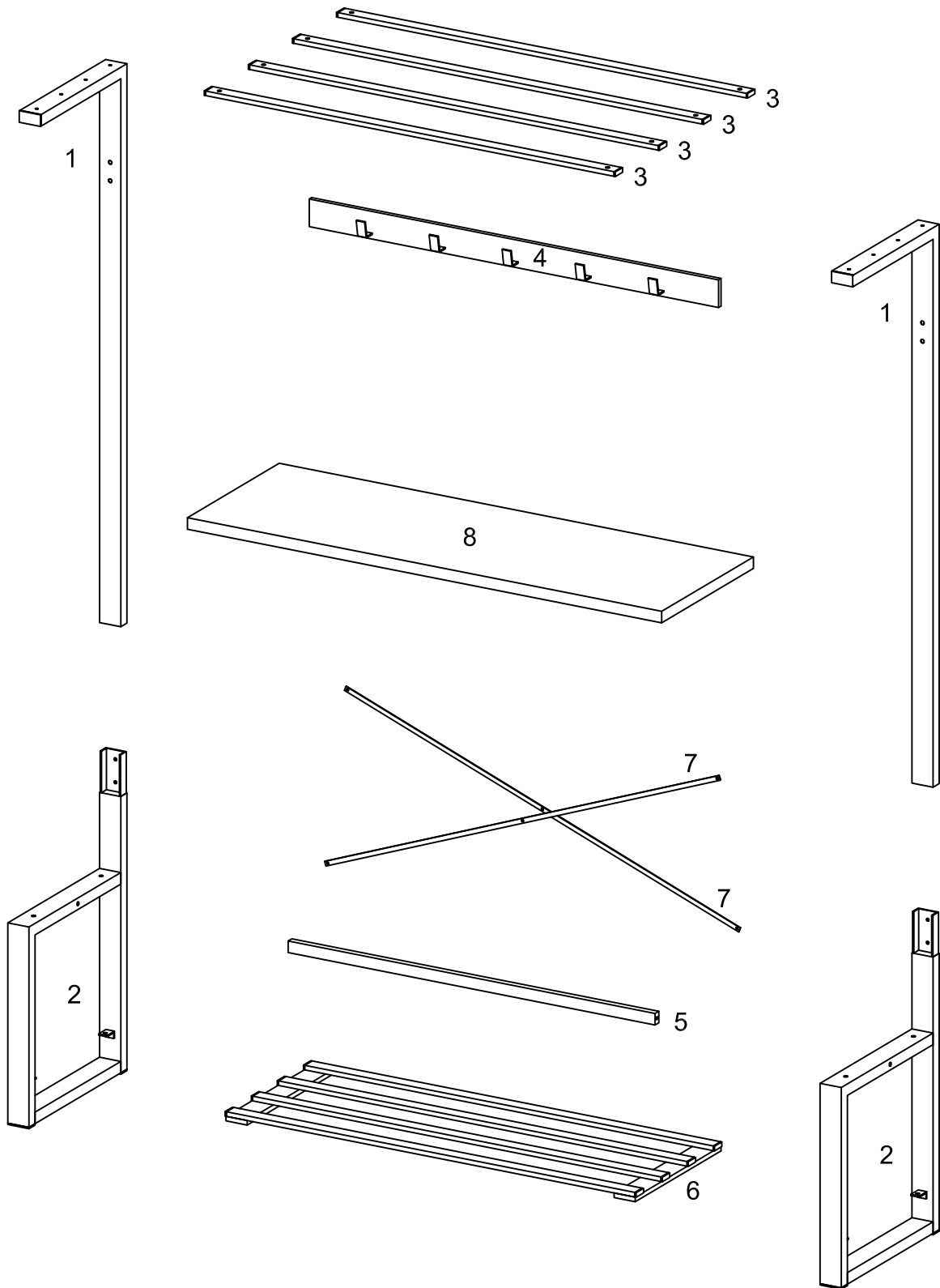
Item # : HT72URB  
Assembly Instructions





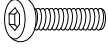

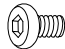

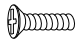


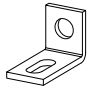
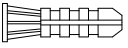
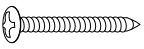
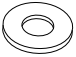
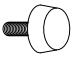
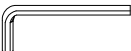
*Please visit our website for the most current instructions, assembly tips, report damage, or request parts. [www.walkeredison.com](http://www.walkeredison.com)*

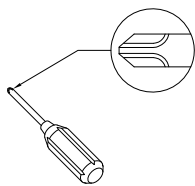
Revised 12/2017

# Parts List



# Hardware List

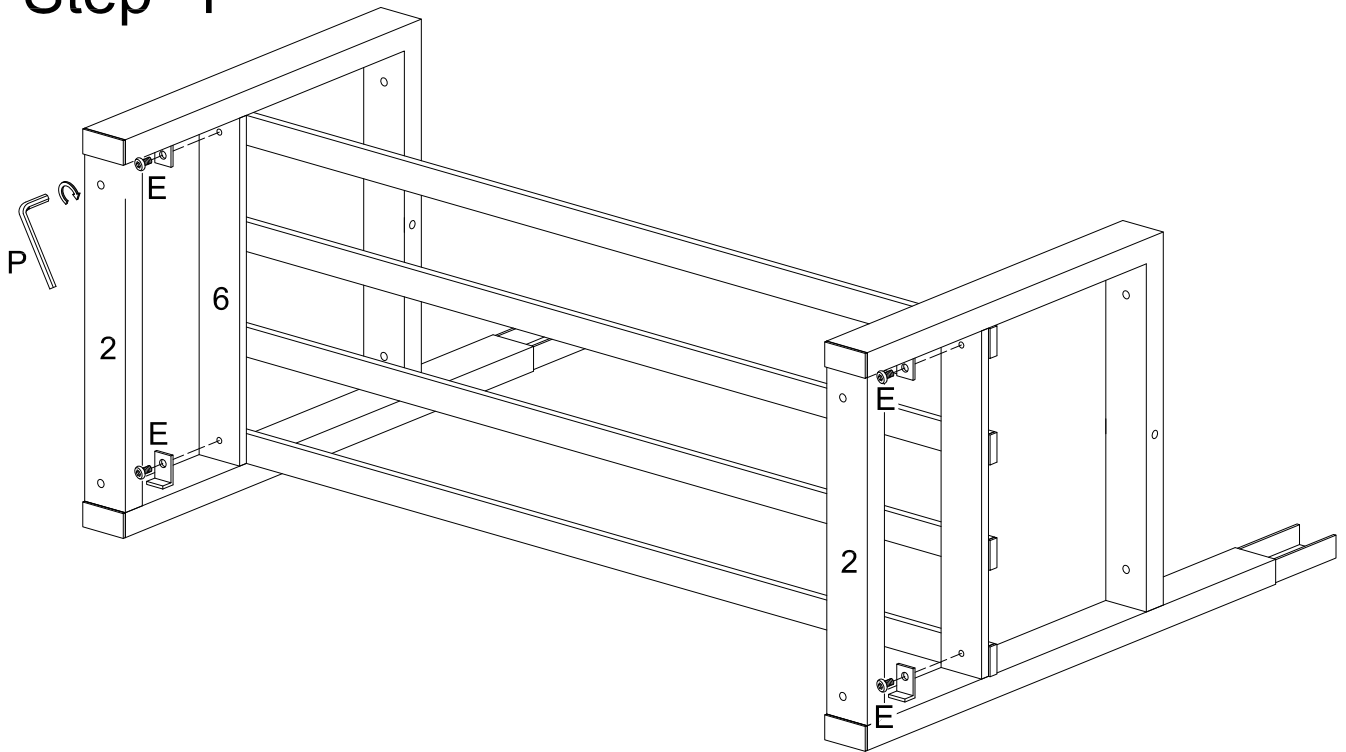
A		Ø1/4"x70mm	Bolt	2 pcs
B		Ø1/4"x35mm	Bolt	4 pcs
C		Ø1/4"x32mm	Bolt	4 pcs
D		Ø1/4"x25mm	Bolt	8 pcs
E		Ø1/4"x12mm	Bolt	8 pcs
F		Ø4x12mm	Screw	4 pcs
G		Ø4x10mm	Bolt	1 pc
H			Nut	1 pc
J			Wrench	1 pc
K			L Shape Bracket	2 pcs
L		Ø6x30mm	Plug	2 pcs
M		Ø4x30mm	Screw	2 pcs
N		Ø16x6.5x1.0mm	Washer	2 pcs
O		Ø1/4x23mm	Feet	4 pcs
P		4mm	Wrench	1 pc



Philips head screwdriver required for assembly  
(not included)

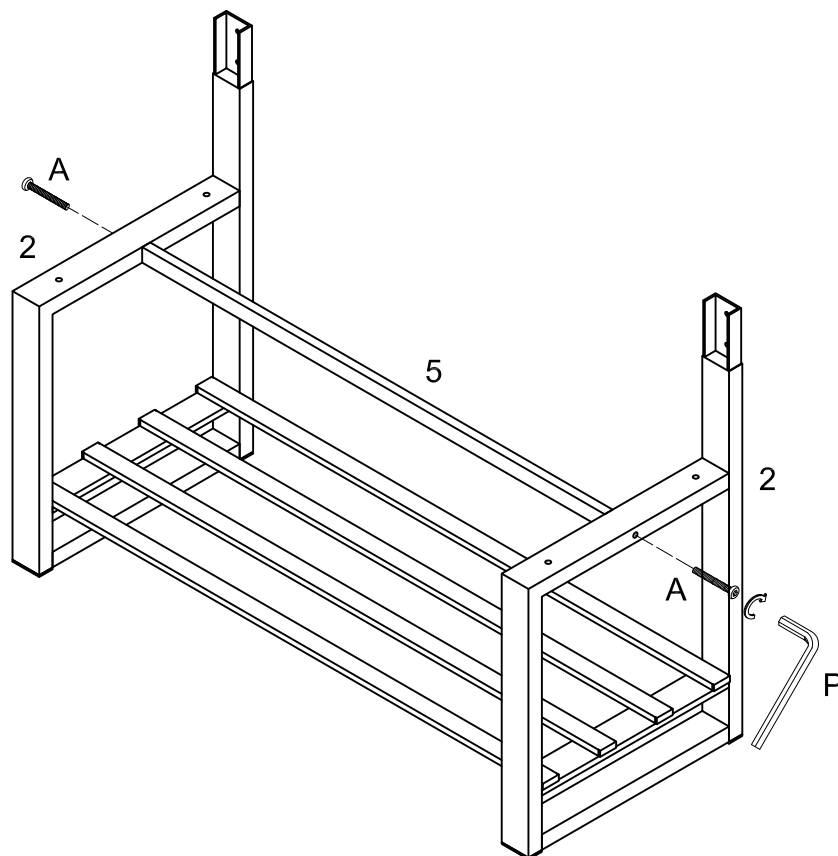
*The hardware quantities listed above are required for proper assembly.  
Some extra hardware may also have been included.*

## Step 1



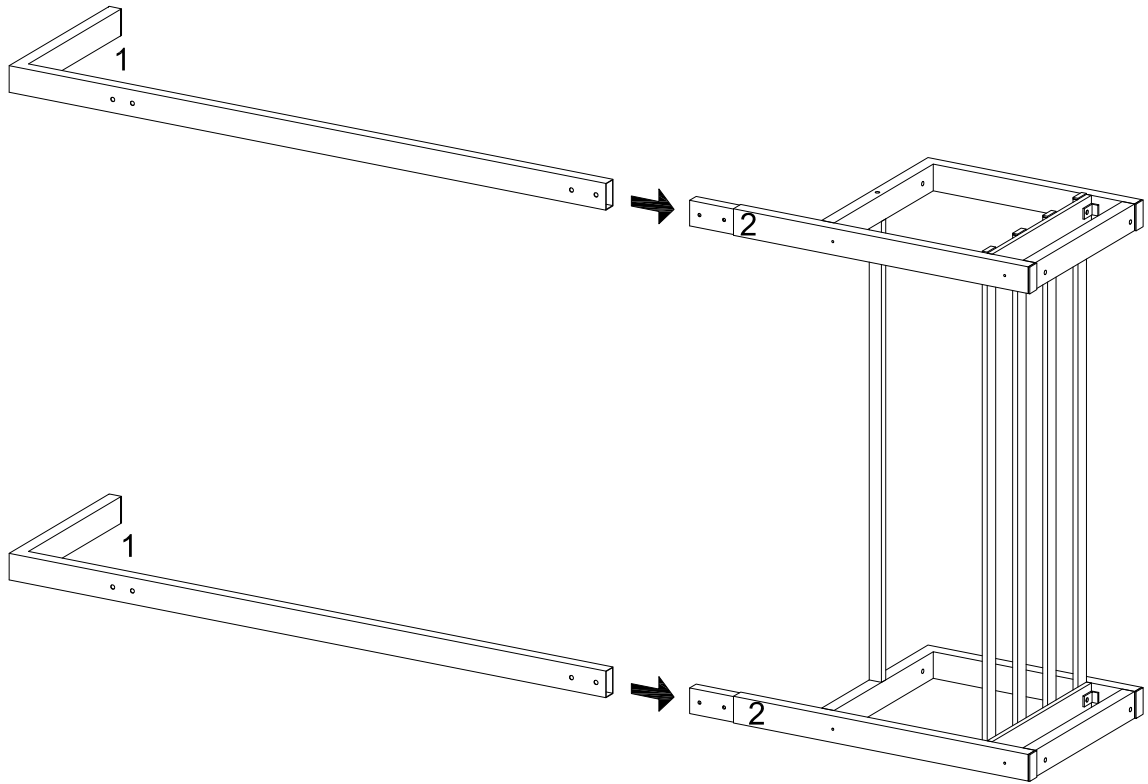
Use wrench (P) to secure shelf frame (6) to side frame (2) with bolt (E) through fixed L shape bracket.

## Step 2



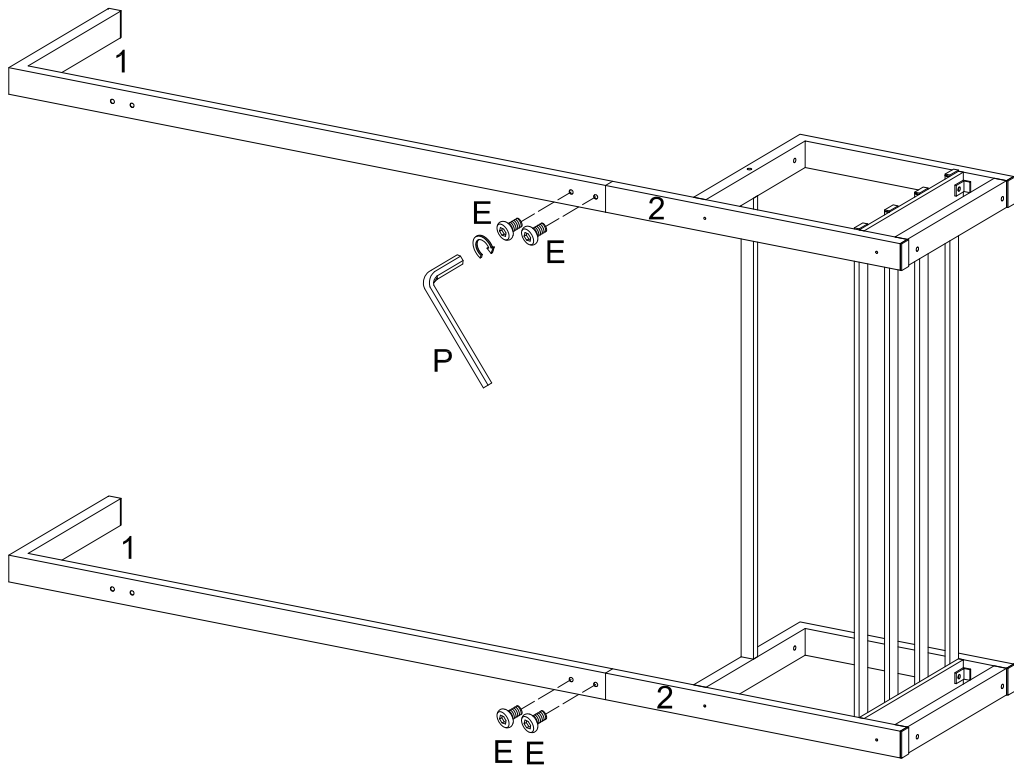
Use wrench (P) to secure part (5) to side frame (2) with bolt (A).

## Step 3



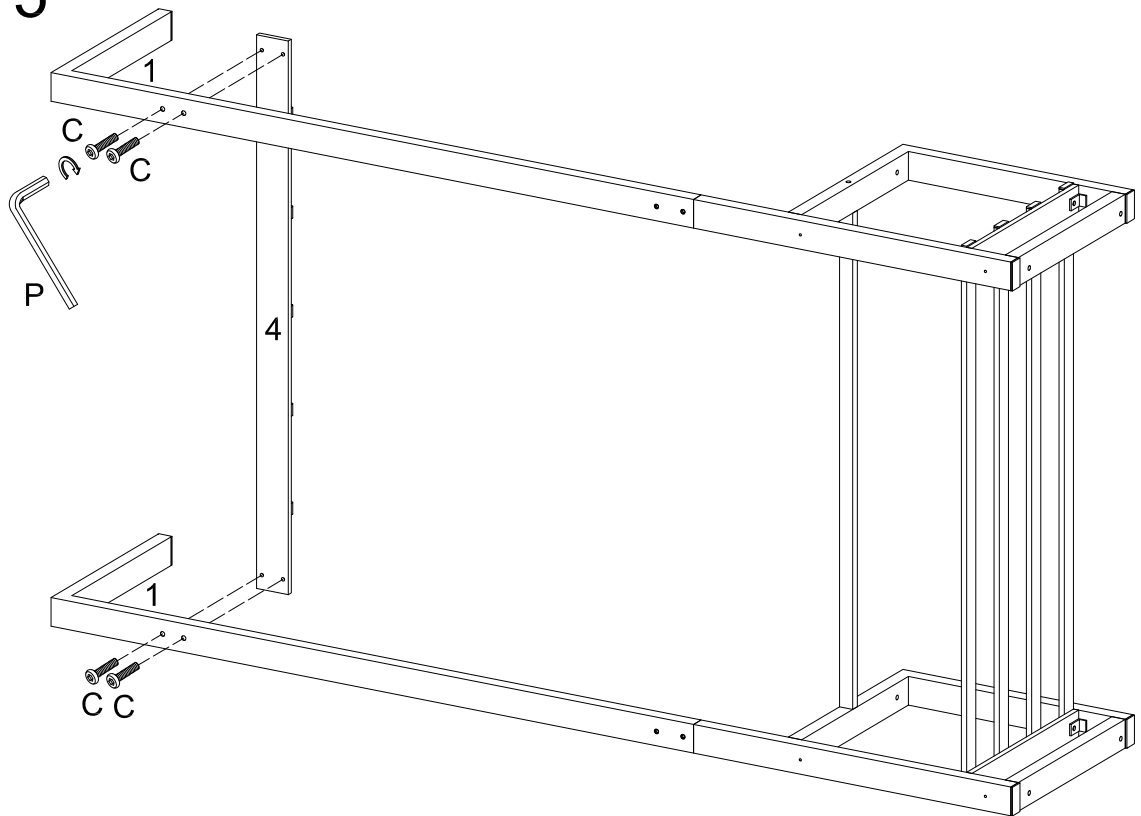
Insert parts (1) into side frame (2).

## Step 4



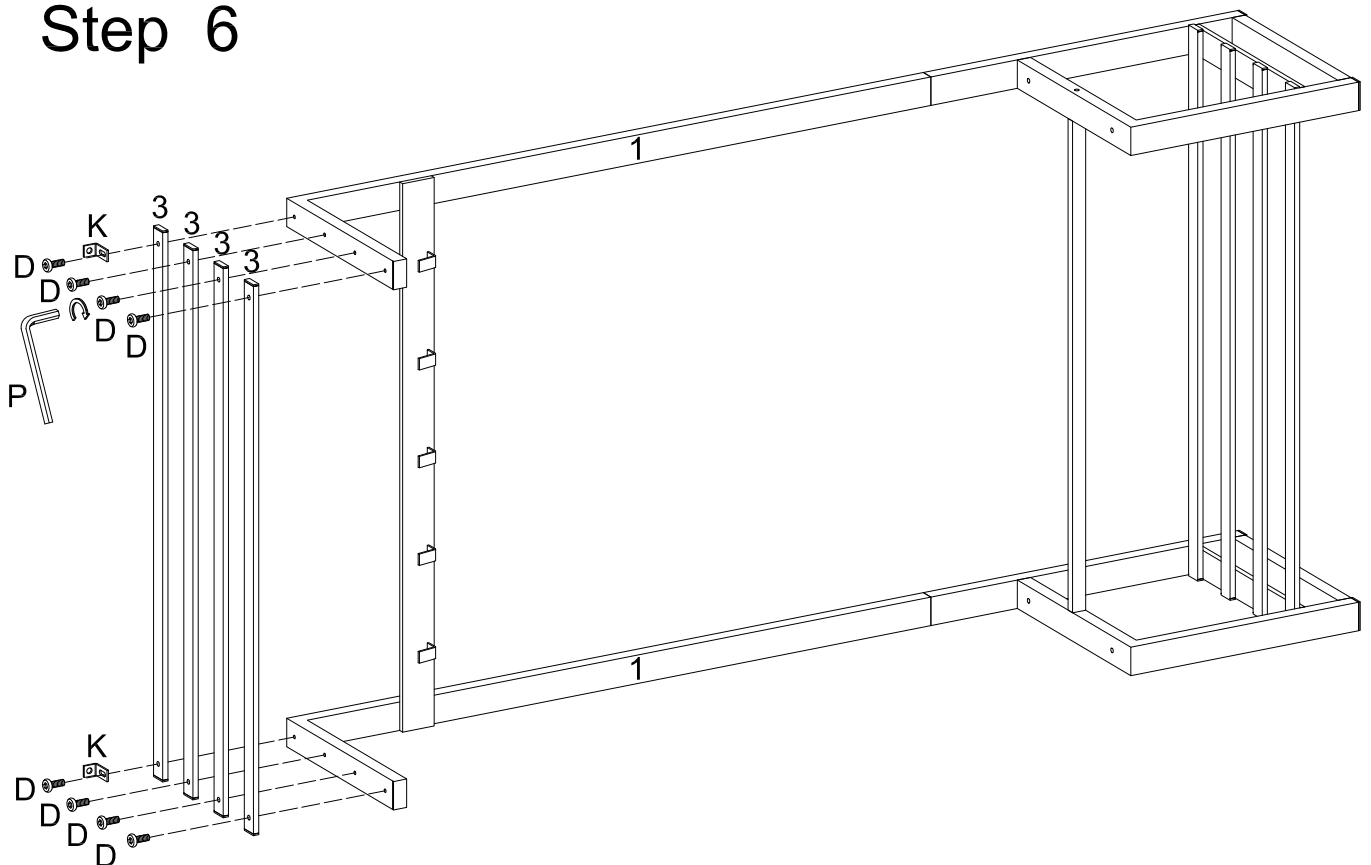
Use wrench (P) to secure parts (1) with bolt (E).

## Step 5



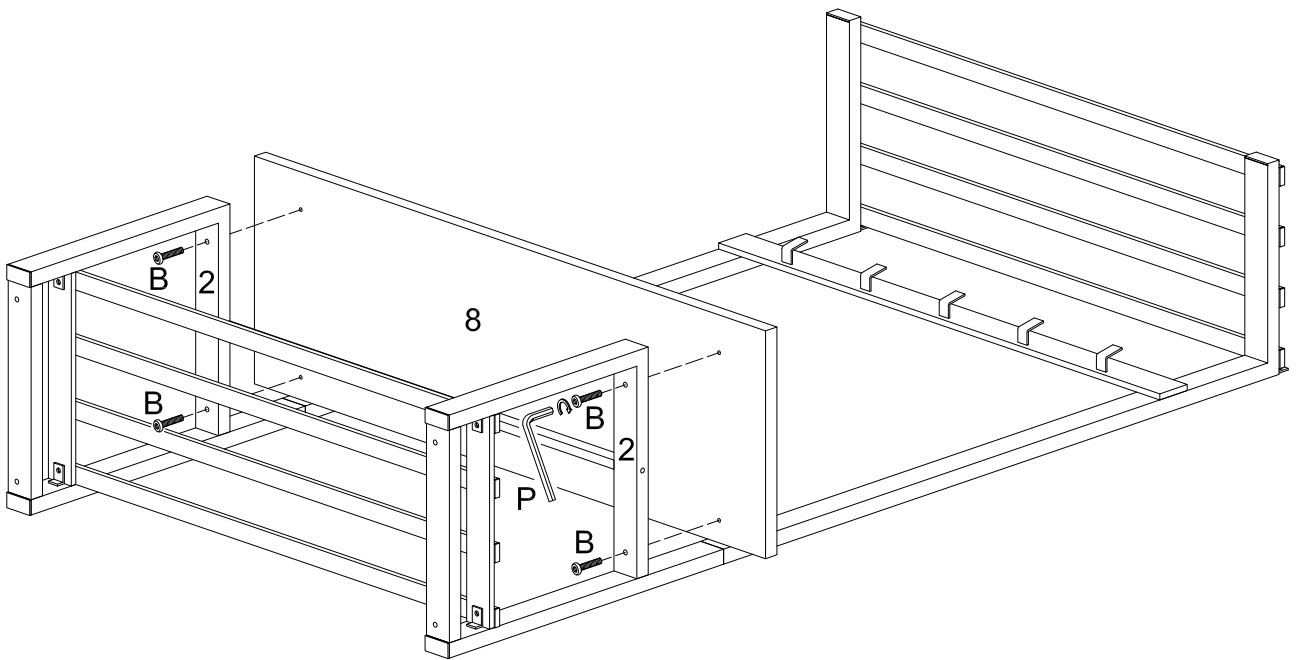
Use wrench (P) to secure part (4) to parts (1) with bolt (C).

## Step 6



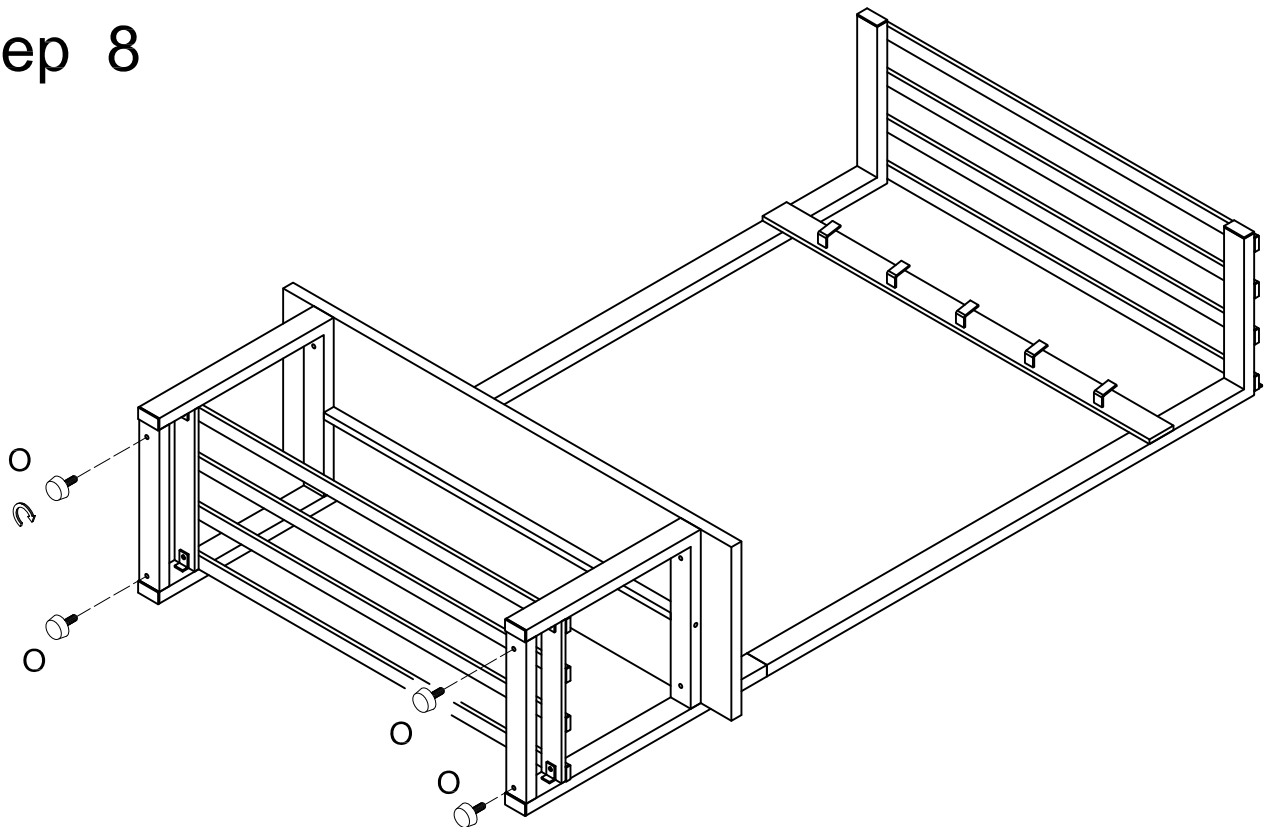
Use wrench (P) to secure three front cross bar (3) to parts (1) with bolt (D), and secure L shape bracket (K) and bolt (D) to last cross bar(3) to parts (1).

## Step 7



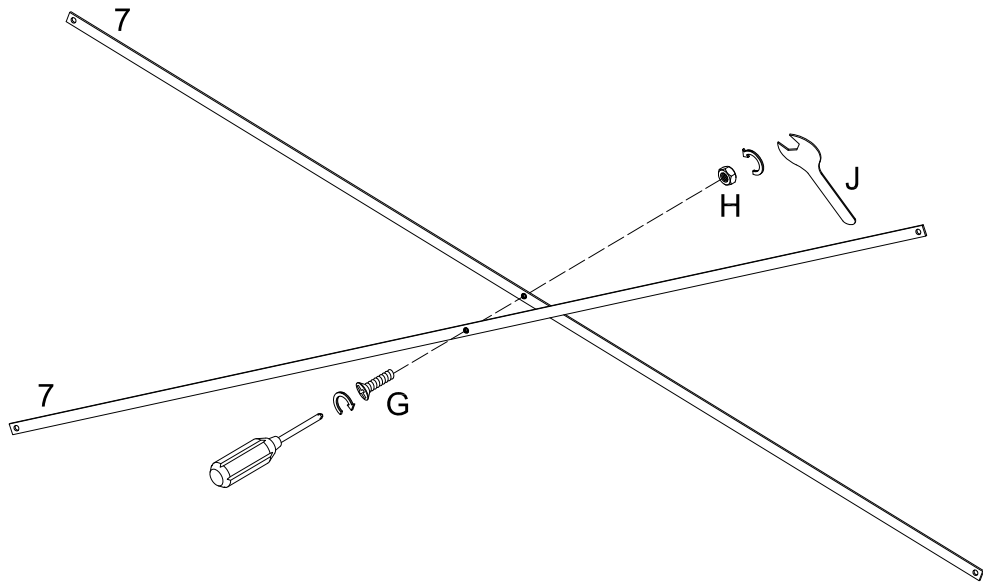
Use wrench (P) to secure seat panel (8) to side frame (2) with bolt (B).

## Step 8



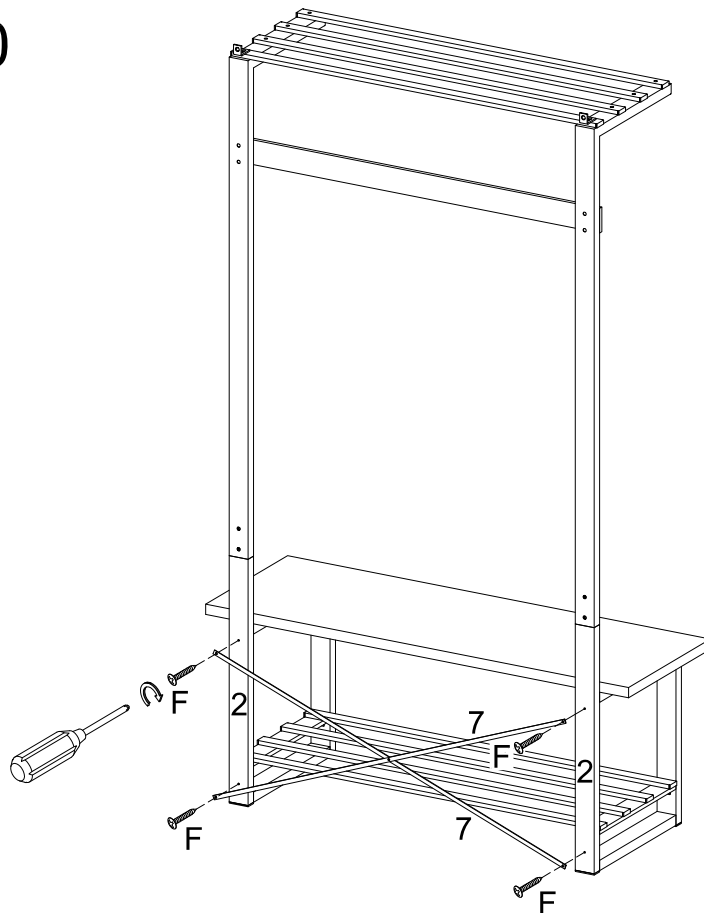
Screw feet (O) on to frame as per diagram.

## Step 9



Use wrench (J) to secure support bar (7) with bolt (G) and nut (H).

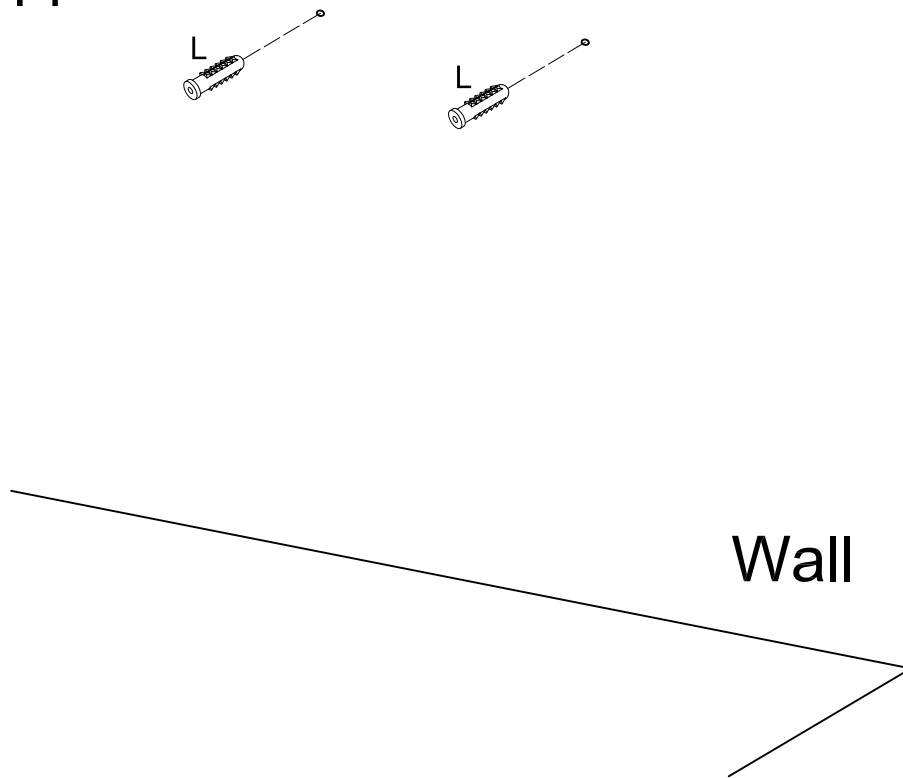
## Step 10



Secure support bar (7) to side frame (2) with screw (F).

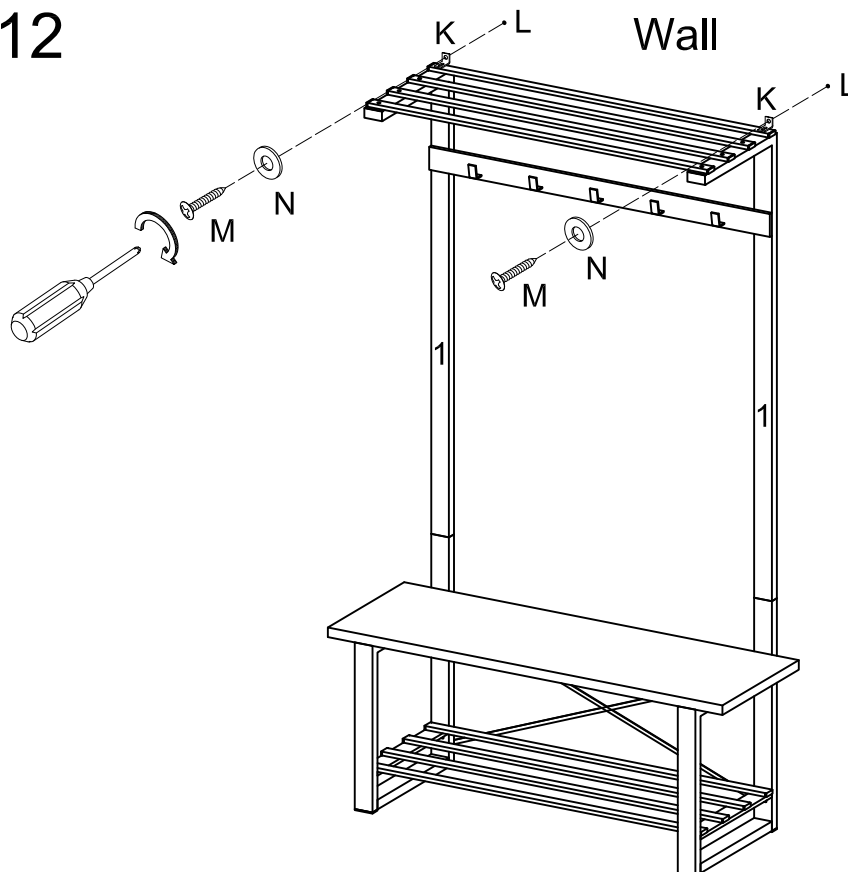


# Step 11



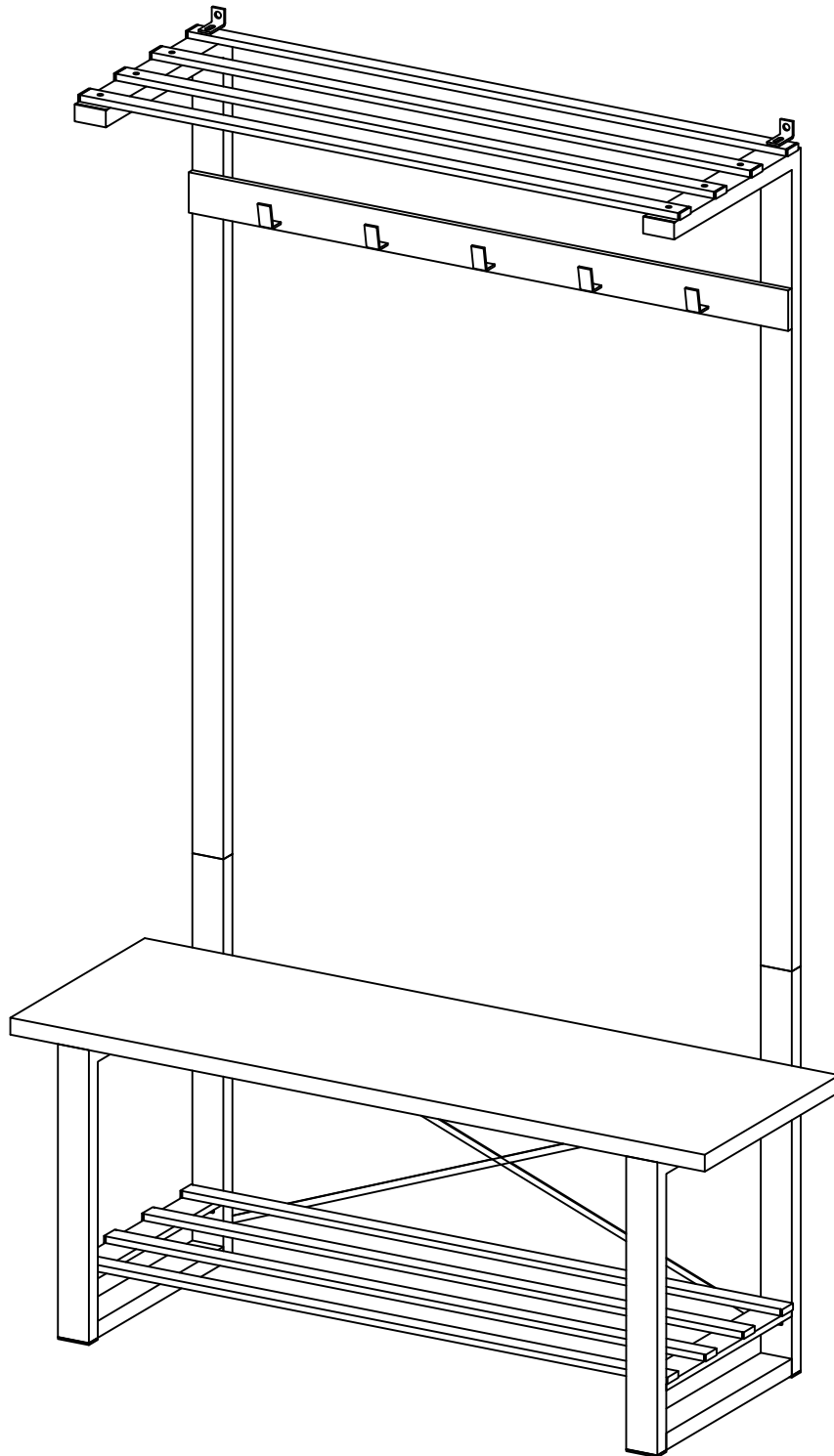
Place unit in desired location and mark the wall for anchor location. Insert plug (L) into wall as per diagram.

# Step 12



Secure product to wall with screw (M), washer (N) through L shape bracket (K) and plug (L).

# Step 13



## Final Assembly