

# ROOMS

# TO GO ▶

# Assembly Instructions





FRNR 1597-40 - DESK - SKU#26015974

Thank you for purchasing this quality product. Be sure to check all packing material carefully for small parts, which may have come loose inside the carton during shipment. Identify and count all parts and compare with the **HARDWARE LIST** below.

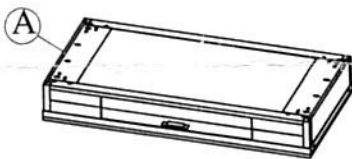
**Caution:** Please read instructions thoroughly before unpadding assembly parts.

1. We recommend that you assembly this product with the assistance of another person; this will make assembly easier, and will help to eliminate damage to the product or injury to persons during assembly.
2. Please to not over tighten screws or bolt until the assembly is completed.
3. Please put all parts on a non-abrasive floor before assembly, and follow the assembly steps to assemble your newly purchased product correctly and efficiently.

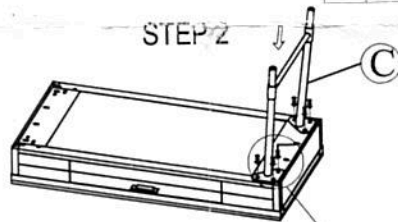
NO	Hardware List	QTY
1	Allen Bolt : Ø5/16"*20mm	12
2	Spring washer : Ø5/16"*Ø14mm	12
3	Flat washer : Ø5/16"*Ø18mm	12
4	Allen wrench : 4mm	1

NO	Part List	QTY
A	 Table body	1
B	 Left Leg	1
C	 Right Leg	1
D	 Horizontal Support Rail	1

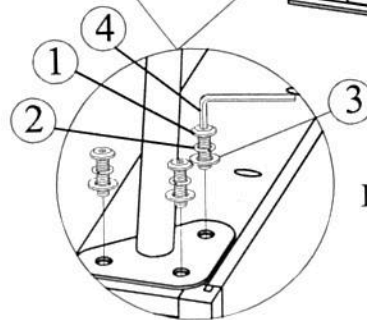
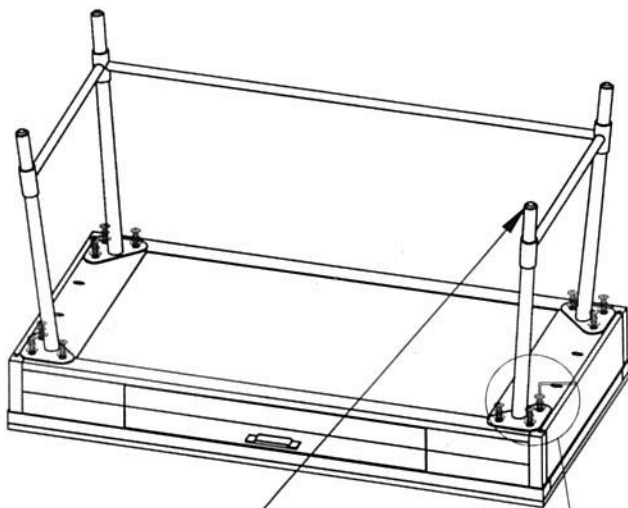
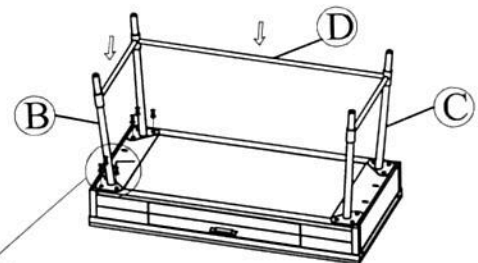
### STEP 1



### STEP 2



### STEP 3



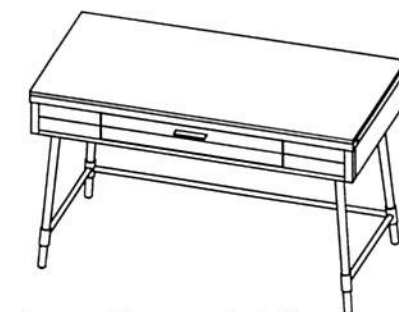
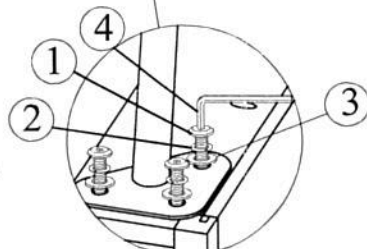
Do not Tighten

### STEP 4



Leveler

Tighten



Assembly completed