



PARTS LIST / LISTE DES PIÈCES / LISTA DE PIEZAS

ITEM NO. / ARTICLE NO. / ARTICULO NO : DS-D204-009

DESCRIPTION / DESCRIPCIÓN : CARVED FRONT DOOR CHEST / Commode avec porte /Cómoda con puertas

WARNING


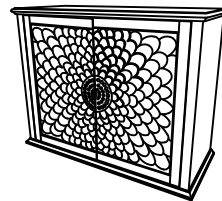
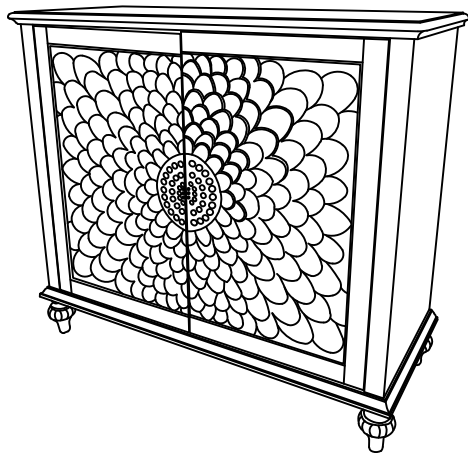
Serious or fatal crushing injuries can occur from furniture tip-over. To help prevent tip-over:

- Install tipover restraint provided.
- Place heaviest items in the lowest drawers.
- Do not set TVs or other heavy objects on top of this product, unless the product is specifically designed to accommodate them.
- Never allow children to climb or hang on drawers, doors, or shelves.
- Never open more than one drawer at a time.

(OR)

- Do not defeat or remove the drawer interlock system.

Use of tipover restraints may only reduce, but not eliminate, the risk of tipover.
This is a permanent label. Do not remove!

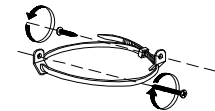
A

x1 Cabinet
x1 Armoire
x1 Armario



B

x4 Foot *
x4 Pied *
x4 Pie *



C

x1 Furniture Tipping Restraint
x1 Systeme antibasculement
x1 Control para evitar vulcos

* Replaceable Part



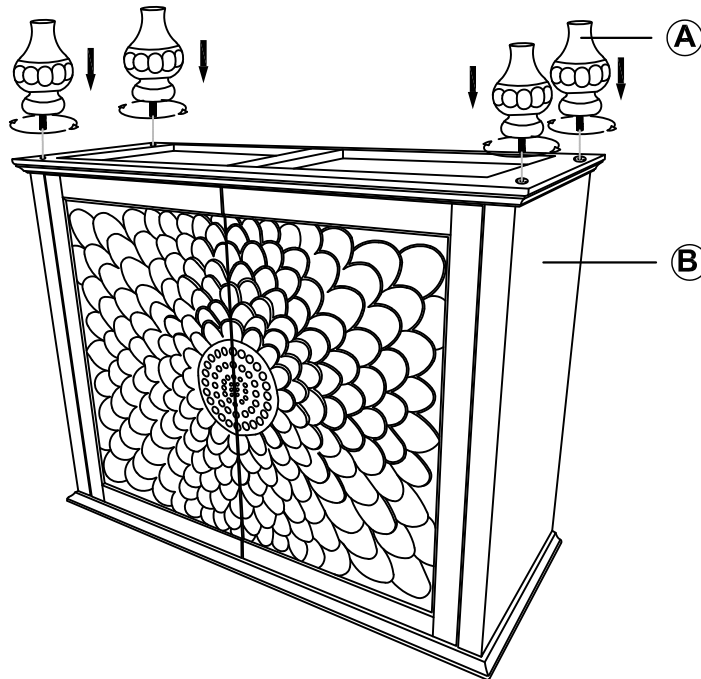
ASSEMBLY INSTRUCTIONS / NOTICE DE MONTAGE / INSTRUCCIONES DE MONTAJE

ITEM NO. / ARTICLE NO. / ARTICULO NO : DS-D204-009

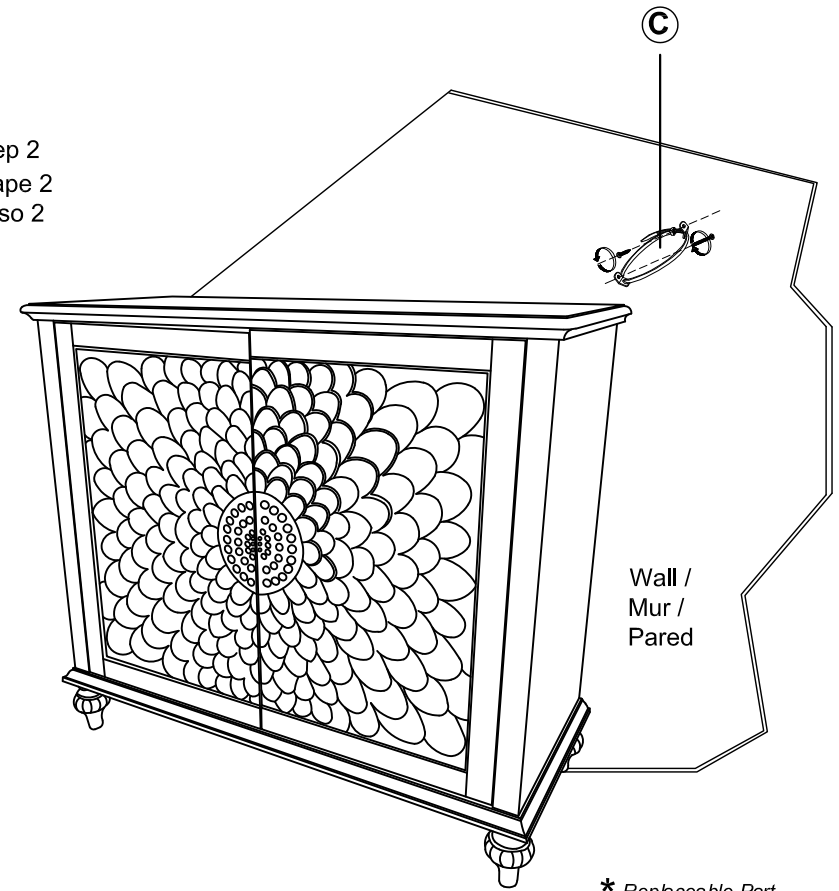
DESCRIPTION / DESCRIPCIÓN : CARVED FRONT DOOR CHEST / Commode avec porte /Cómoda con puertas

	WARNING
	<p>Serious or fatal crushing injuries can occur from furniture tip-over. To help prevent tip-over:</p> <ul style="list-style-type: none">- Install tipover restraint provided.- Place heaviest items in the lowest drawers.- Do not set TVs or other heavy objects on top of this product, unless the product is specifically designed to accommodate them.- Never allow children to climb or hang on drawers, doors, or shelves.- Never open more than one drawer at a time. <p>(OR)</p> <ul style="list-style-type: none">- Do not defeat or remove the drawer interlock system. <p>Use of tipover restraints may only reduce, but not eliminate, the risk of tipover.</p> <p><i>This is a permanent label. Do not remove!</i></p>

Step 1
Étape 1
Paso 1



Step 2
Étape 2
Paso 2





REPLACEABLE PART / PARTIE REMPLACABLE / PARTE REEMPLAZABLE

ITEM NO. / ARTICLE NO. / ARTICULO NO : DS-D204-009

DESCRIPTION / DESCRIPCIÓN : CARVED FRONT DOOR CHEST / Commode avec porte /Cómoda con puertas

WARNING

Serious or fatal crushing injuries can occur from furniture tip-over. To help prevent tip-over:

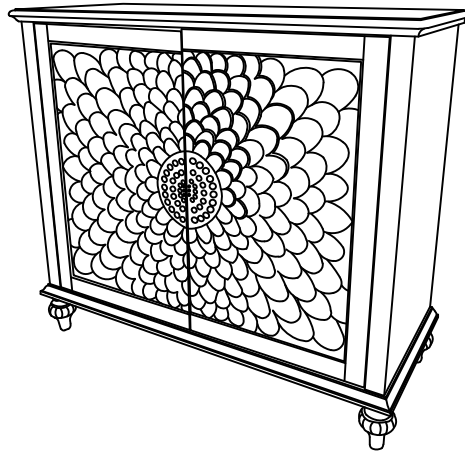

- Install tipover restraint provided.
- Place heaviest items in the lowest drawers.
- Do not set TVs or other heavy objects on top of this product, unless the product is specifically designed to accommodate them.
- Never allow children to climb or hang on drawers, doors, or shelves.
- Never open more than one drawer at a time.

(OR)

- Do not defeat or remove the drawer interlock system.

Use of tipover restraints may only reduce, but not eliminate, the risk of tipover.

This is a permanent label. Do not remove!



x4 RD204-009-FOOT-Foot *
Pied
Pie

* Replaceable Part