

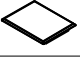





Assembly Instructions

ITEM NO.:22508/22509/22510





Thank you for purchasing this quality product. Be sure to check all packing material carefully for small parts that may have come loose inside the carton during shipment. (Note: Loosely thread all screws/bolts first. Once the item is assembled then completely tighten.)

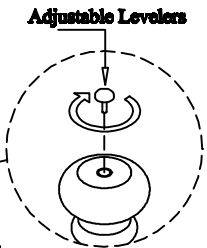
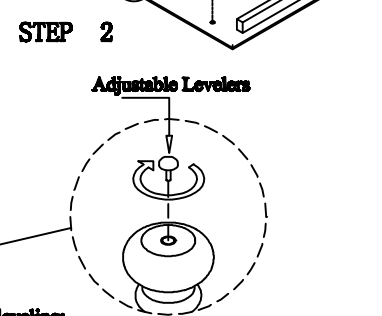
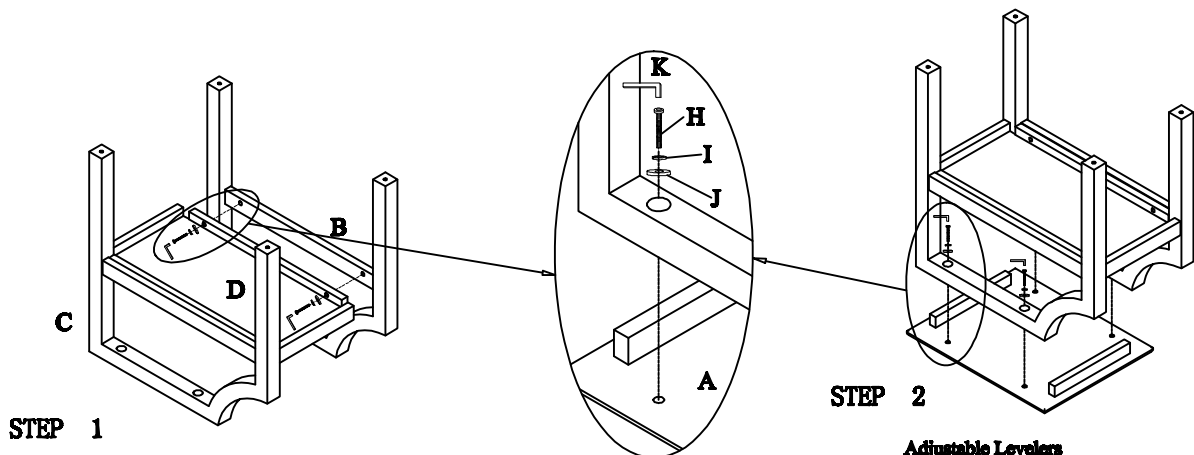
TOOLS REQUIRED

PARTS LIST:

No.	Description	Sketch	Quantity	No.	Description	Sketch	Quantity
A	Panel		1	B	Left Side Frame		1
C	Right Side Frame		1	D	Shelf Board		1
E	Bottom Board		1	F	Foot Pad		4

HARDWARE LIST:

No.	Sketch	Description	Size	Quantity	No.	Sketch	Description	Size	Quantity
H		Bolt	□1/4" * 1-1/4"	8	I		Lock Washer	□1/4"	8
J		Flat Washer	□1/4" * 3/4"	8	K		Allen Wrench	M4	1



Tips for leveling:
Sometimes furniture will appear to be unbalanced because of an uneven floor surface that the item rests on. In this case, try adjusting the levelers found on the bottom of each foot to aid in balancing.

