









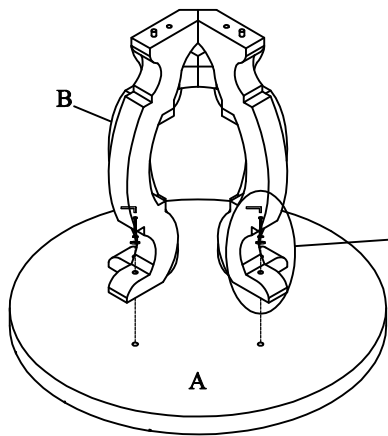
Assembly Instructions

ITEM NO.:22518/22519/30430

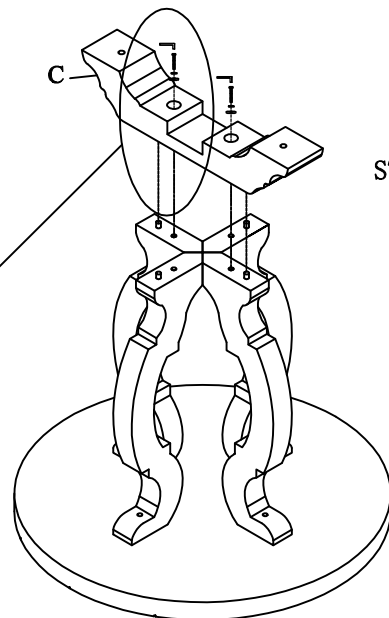
Thank you for purchasing this quality product. Be sure to check all packing material carefully for small parts that may have come loose inside the carton during shipment. (Note: Loosely thread all screws/bolts first. Once the item is assembled then completely tighten.)

TOOLS REQUIRED				HARDWARE LIST:				
PARTS LIST:				No.	Sketch	Description	Size	Quantity
No.	Description	Sketch	Quantity	E		Bolt	Ø1/4"*2"	8
A	Panel		1	F		Flat Washer	Ø1/4"*3/4"	8
B	Legs		4	G		Lock Washer	Ø1/4"	8
C	Pedestal 1		1	H		Allen Wrench	M4	1
D	Pedestal 2		1					

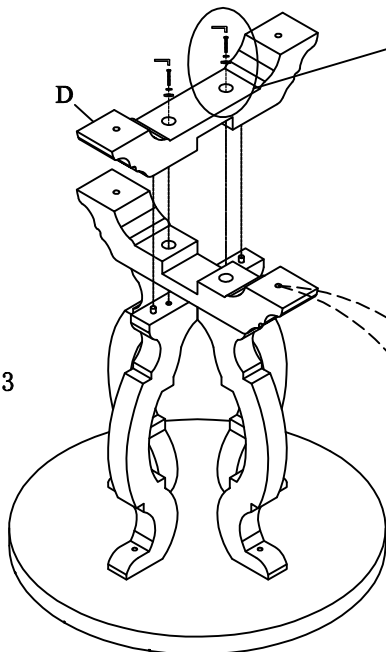
STEP 1



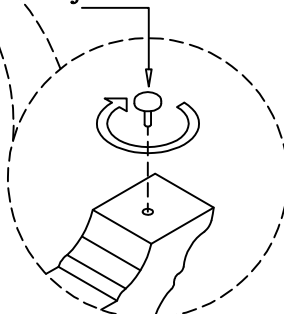
STEP 2



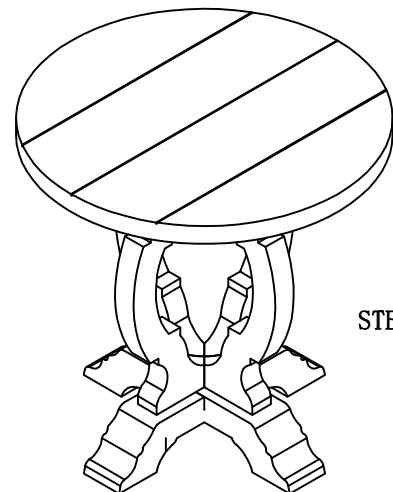
STEP 3



Adjustable Levelers



STEP 4



Tips for leveling:

Sometimes furniture will appear to be unbalanced because of an uneven floor surface that the item rests on. In this case, try adjusting the levelers found on the bottom of each foot to aid in balancing.

Made in China