






Assembly Instructions

DHAR 2413 BLACK DOOR CABINET

Manufactured by DHAR for Rooms To Go

SKU: 26024137

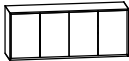

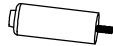
Step	Code	Hardware List	Preinstalled	Q'TY
	a	Allen key (L59 *4mm) 		1Pc
1	b	Bolt(Ø1/4" *18 *20mm) 		12Pcs
1	c	Spring washer (Ø1/4" *Ø12mm *1.5mm) 		12Pcs
1	d	Flat washer (Ø1/4" *Ø19mm *1.5mm) 		12Pcs
2	e	Anti-tipping kit 		2Sets

TOOLS REQUIRED (NOT PROVIDED)

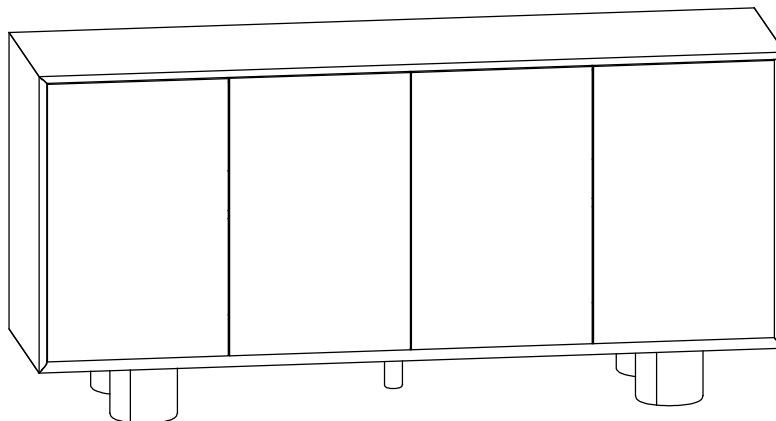
PHILLIPS SCREDDRIVER



1. We recommend that you should assemble this product with the assistance of another person; this will make assembly easier and will eliminate damage to the product or injury to persons during assembly.
2. Please do not over tighten screws or bolts until assembly is complete.
3. Please put all parts on a non-abrasive floor before assembly, and follow assembly steps to assemble your newly purchased product correctly and efficiently.

Step	Code	Parts List	Preinstalled	Q'TY
1	A	Cabinet 		1Pc
1	B	Legs 		4Pcs
1	C	Center Leg 		1Pc

COMPONENTS

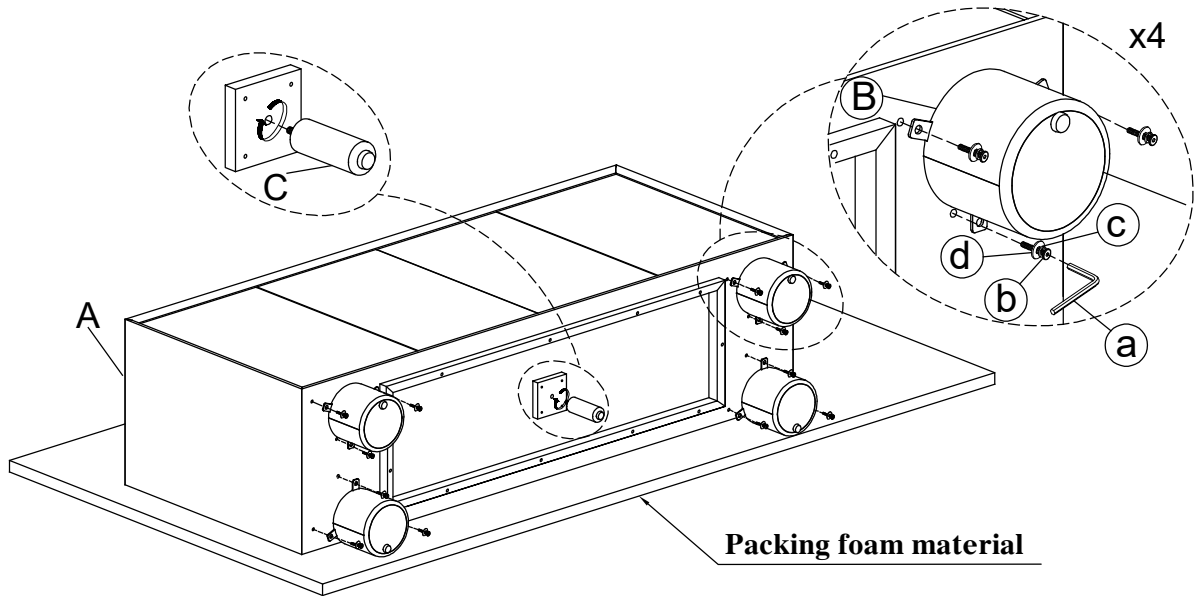


Hardware Pack Location(s):

Buffet: SKU:26024137

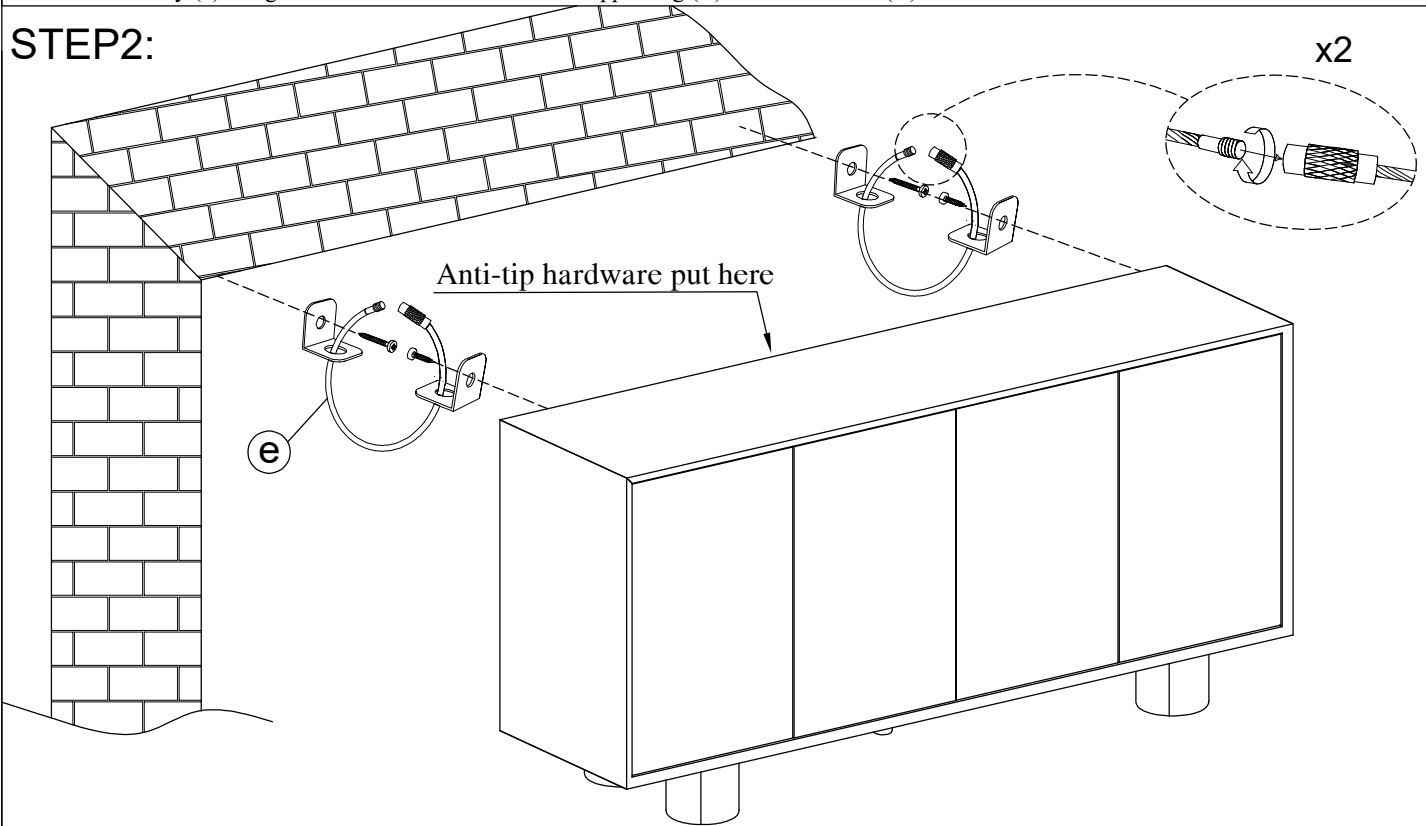
*** Caution: Please read all instructions carefully before starting the assembly process. These parts are cumbersome and heavy. Therefore, two people are recommended in order to prevent personal injury and ensure the parts are not damaged during the assembly.

STEP1:



Attach the legs (B) to the cabinet (A) using bolts (b) with flat washers (d) and spring washers (c). Use the Allen key (a) to tighten the bolts. Then install the support leg (C) onto the cabinet (A).

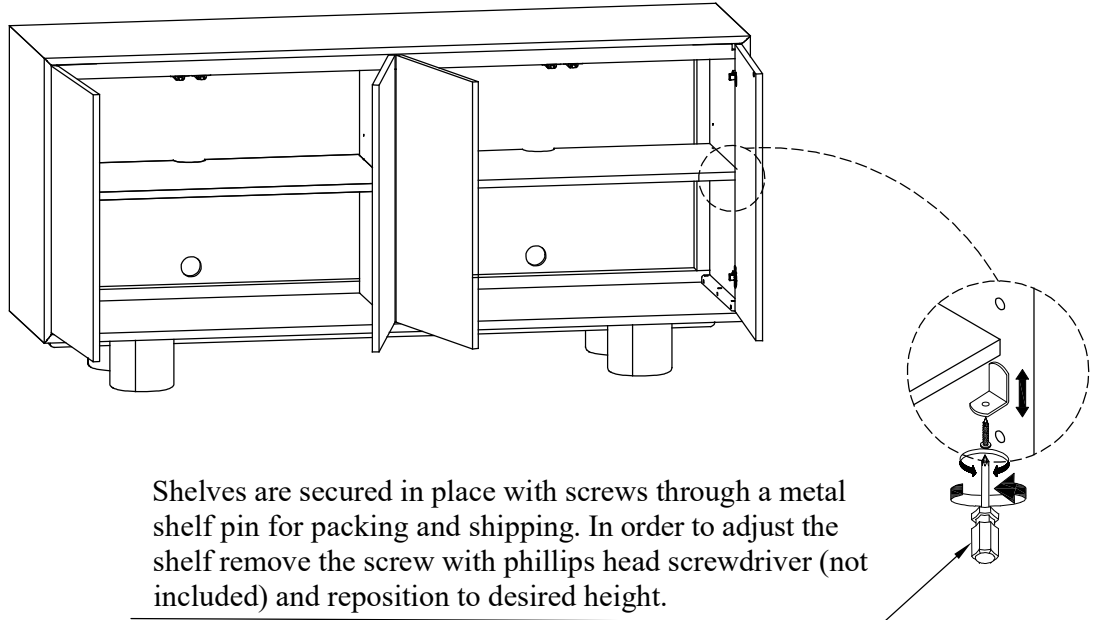
STEP2:



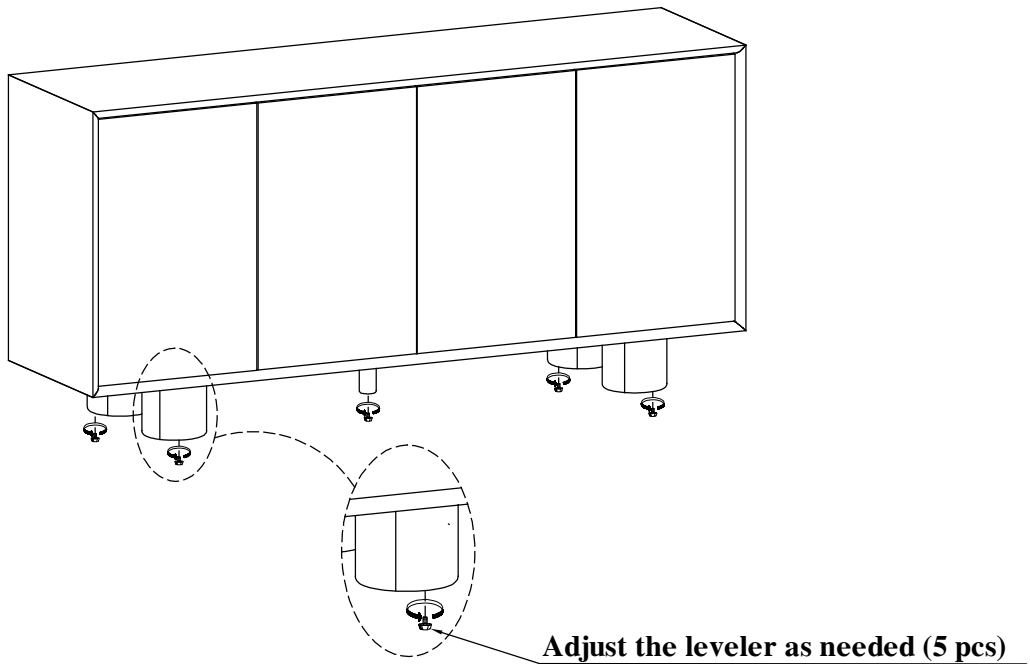
Hardware Pack Location(s):

Buffet: SKU:26024137

STEP 3:



STEP 4:



Hardware Pack Location(s):

Buffet: SKU:26024137