



UTTERMOST

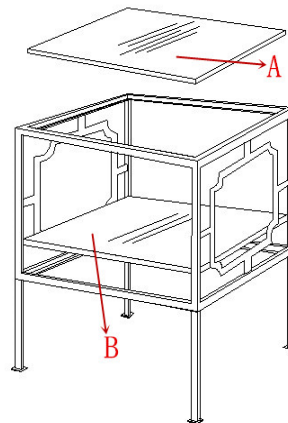
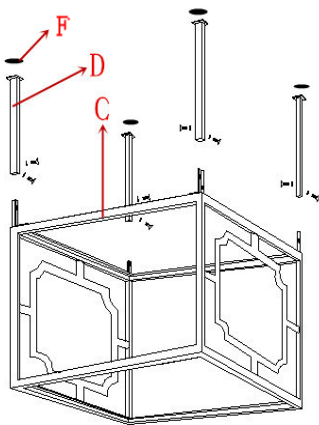
Assembly Instruction

Item :24477

Parts/Hardware list

A	Glass Top(Lg)	1PC	C	2Tiered Shelf	1PC
B	Glass Top(Sm)	1PC	D	Legs	4PCS
E	Screws	8PCS	F	Felt pad	4PCS

1. Take the parts carefully out of the carton, and place them on a flat and soft surface, making sure that the parts will not be damaged.
2. Place table top (C) upside down on clean, flat, and soft surface.
3. Assemble 4 Legs(D) on Table Top (C) by screws.
4. Stick the Felt pad (F) on the bottom of Legs (D).
5. Carefully and separately place the Glass Top (Lg)(A) to top shelf and Glass Top (Sm) (B) to lower shelf.



5. Softly clean & wipe with dry cloth.

