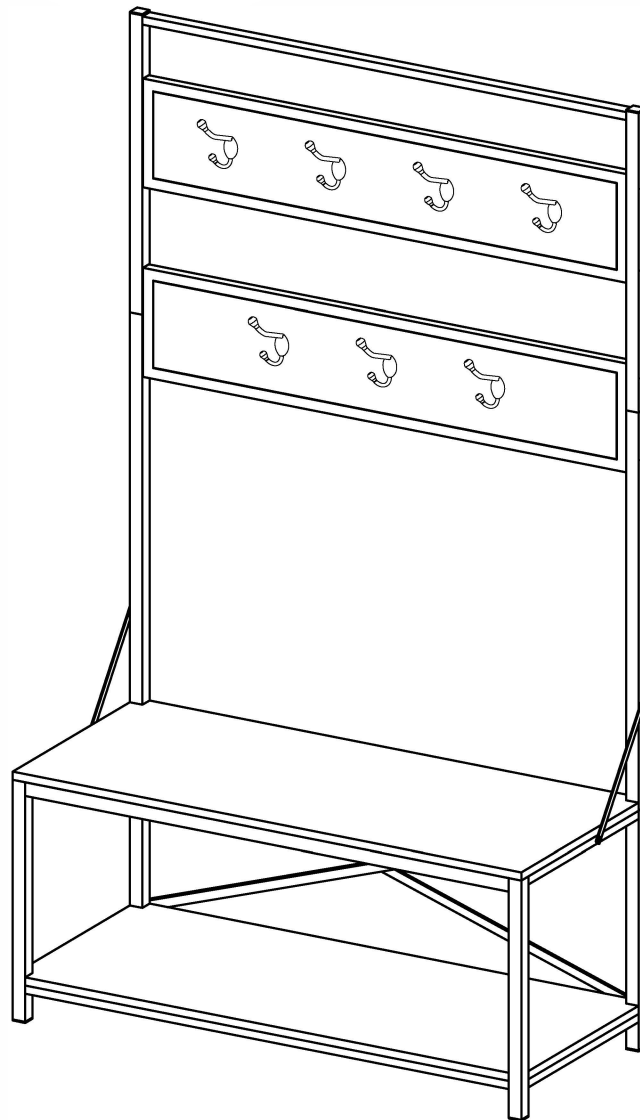


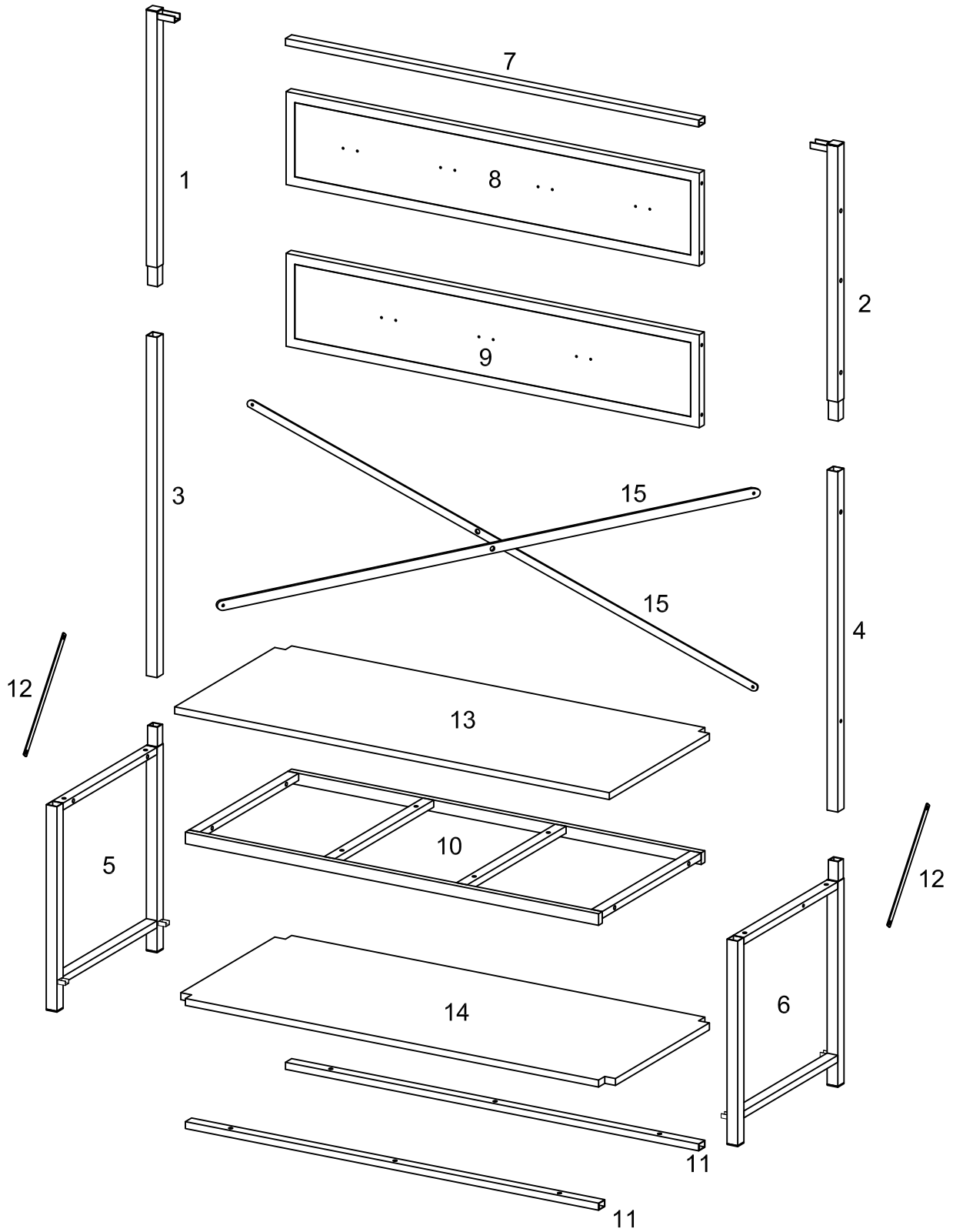
Item # : HT72MW  
Assembly Instructions




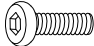
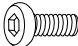





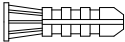



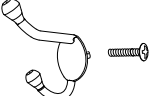
*For the most current instructions, additional assembly tips, to report damage or request parts, please visit our website at [www.walkerredison.com](http://www.walkerredison.com).*

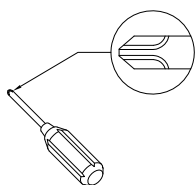
Revised 11/2017

# Parts List



# Hardware List

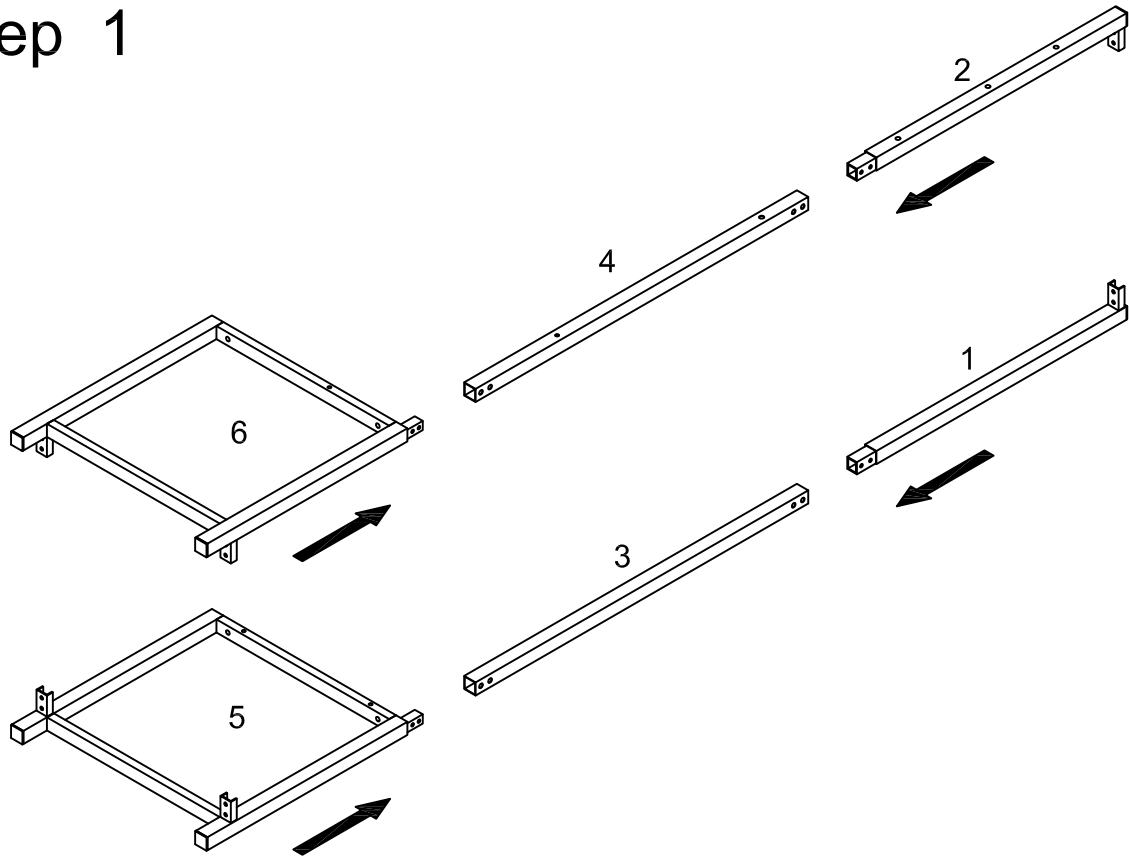
A		Ø1/4"*35mm	Bolt	12 pcs
B		Ø1/4"*25mm	Bolt	14 pcs
C		Ø1/4"*12mm	Bolt	24 pcs
D		M4*55mm	Wrench	1 pc
E		M4*12mm	Screw	4 pcs
F		M4*10mm	Bolt	1 pc
G		M4mm	Nut	1 pc
H			Angle iron	2 pcs
J			Wall anchor	2 pcs
K			Screw	2 pcs
L		Ø16*6.5*1.0mm	Washer	2 pcs
M			Wrench	1 pc
N			Hook	7 pcs



Philips head screwdriver required for assembly  
(not included)

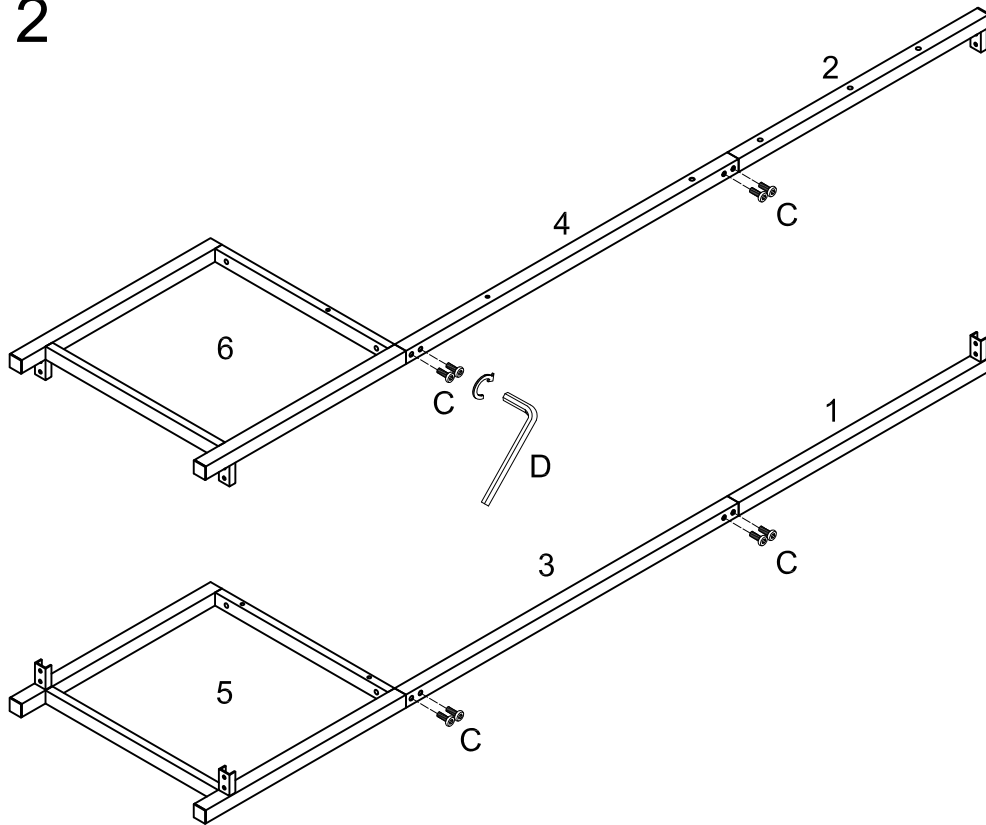
*The hardware quantities listed above are required for proper assembly.  
Some extra hardware may also have been included.*

# Step 1



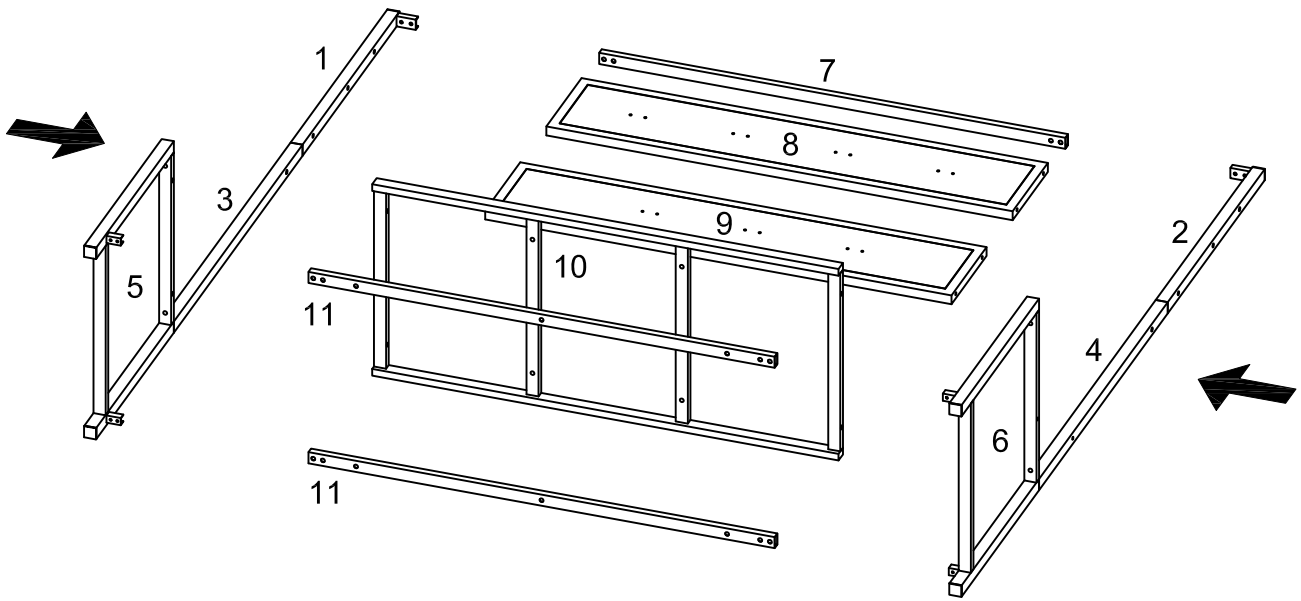
Join parts (2, 4, 6) and parts (1, 3, 5) as shown in the diagram.

# Step 2



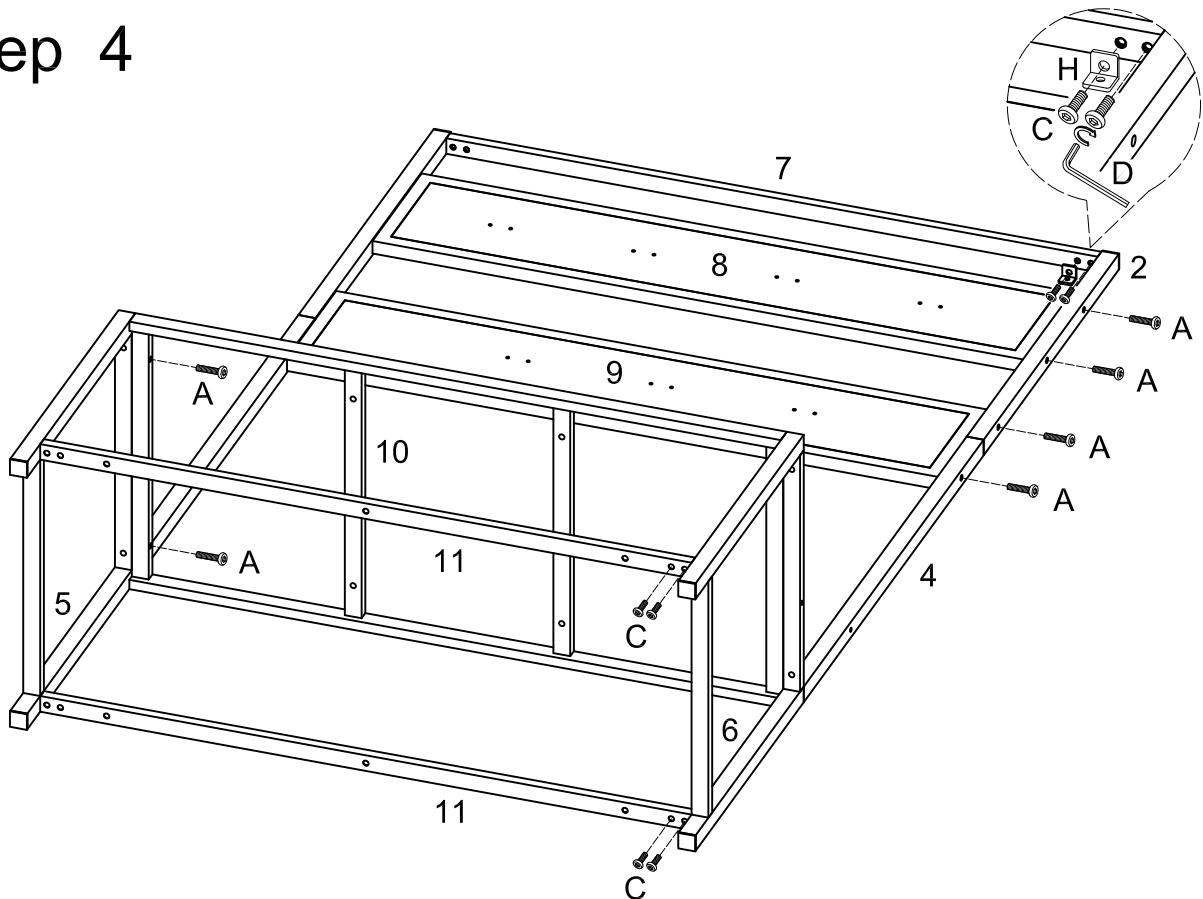
Secure parts together using bolts (C) as shown.

# Step 3



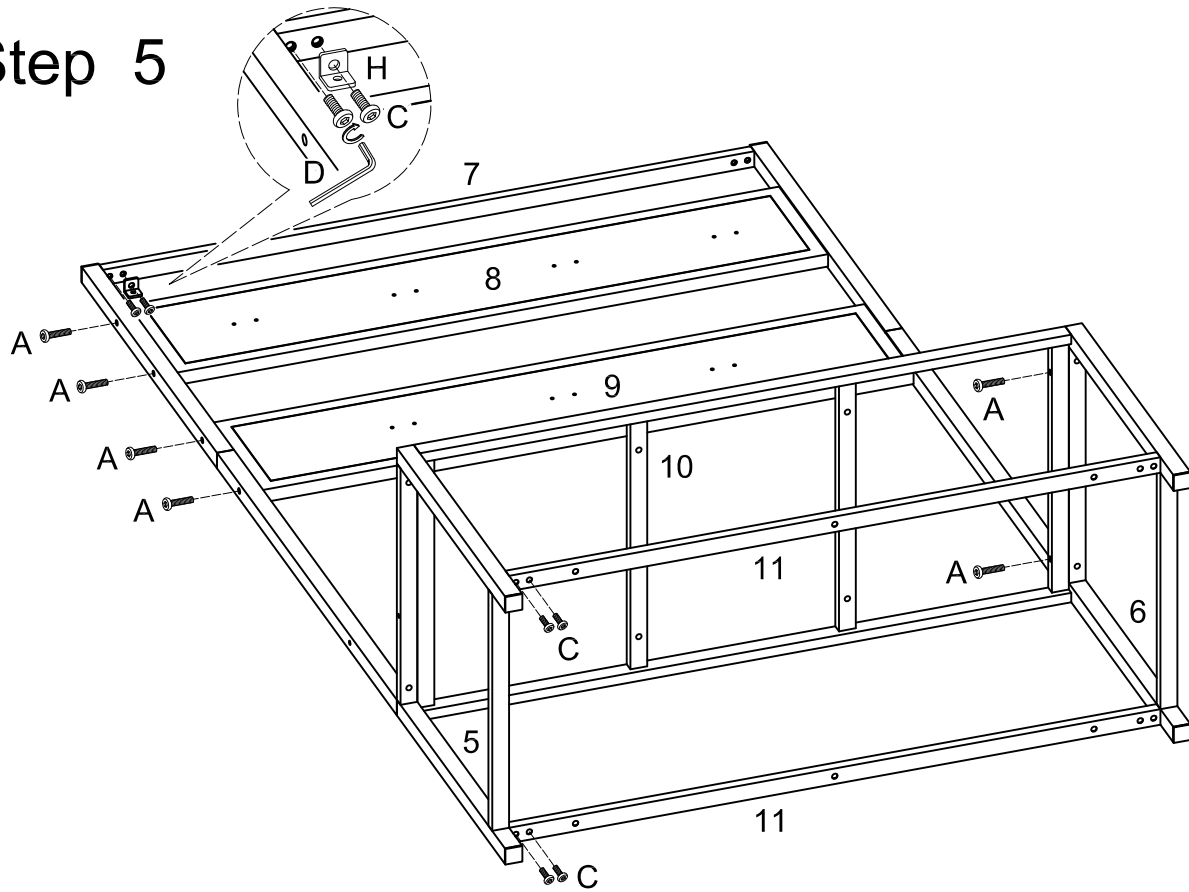
Join side assemblies to parts (7,8,9,10, 11) as shown in the diagram.

# Step 4



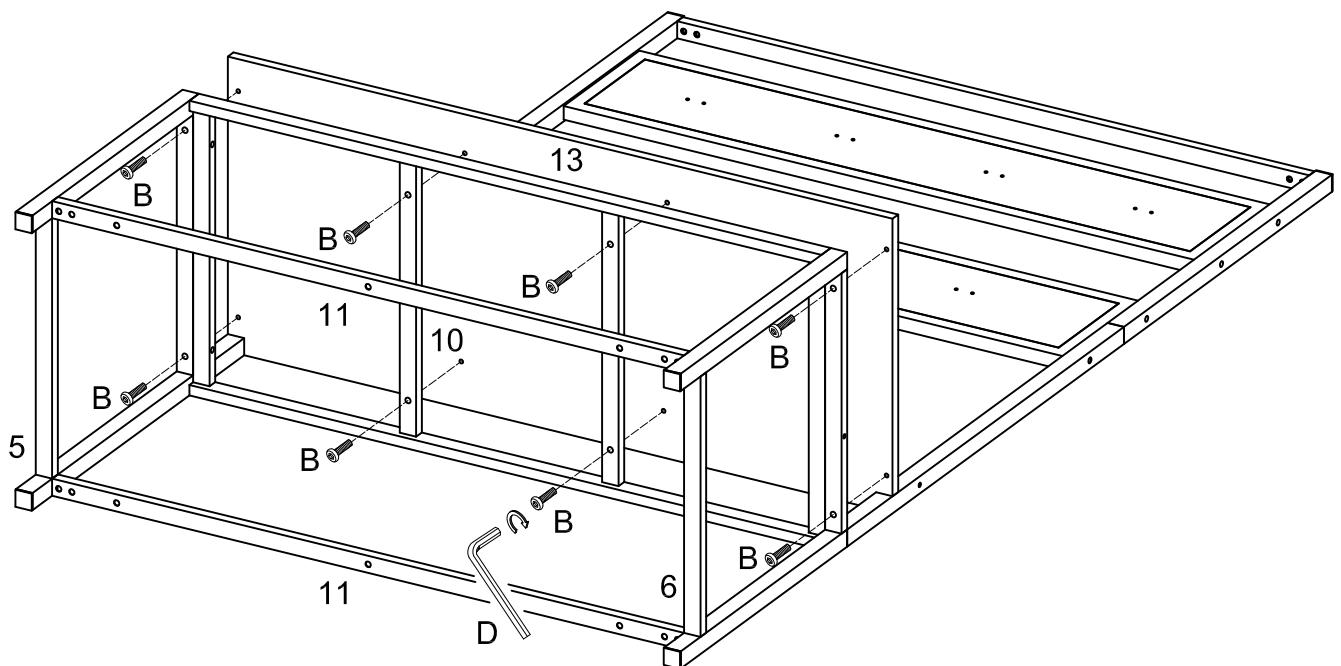
Secure parts together using bolts (A & C) as shown. Secure angle iron (H) using bolts (C).

## Step 5



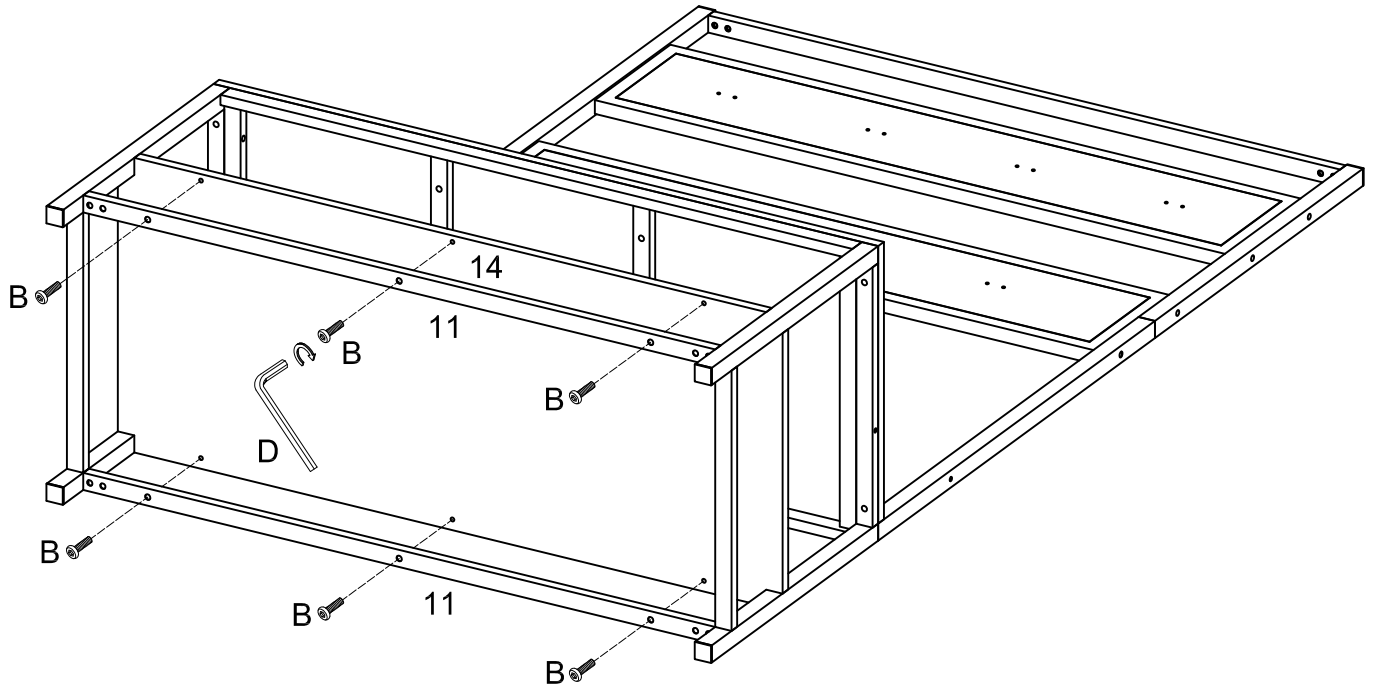
Secure parts together using bolts (A & C) as shown. Secure angle iron (H) using bolts (C).

## Step 6



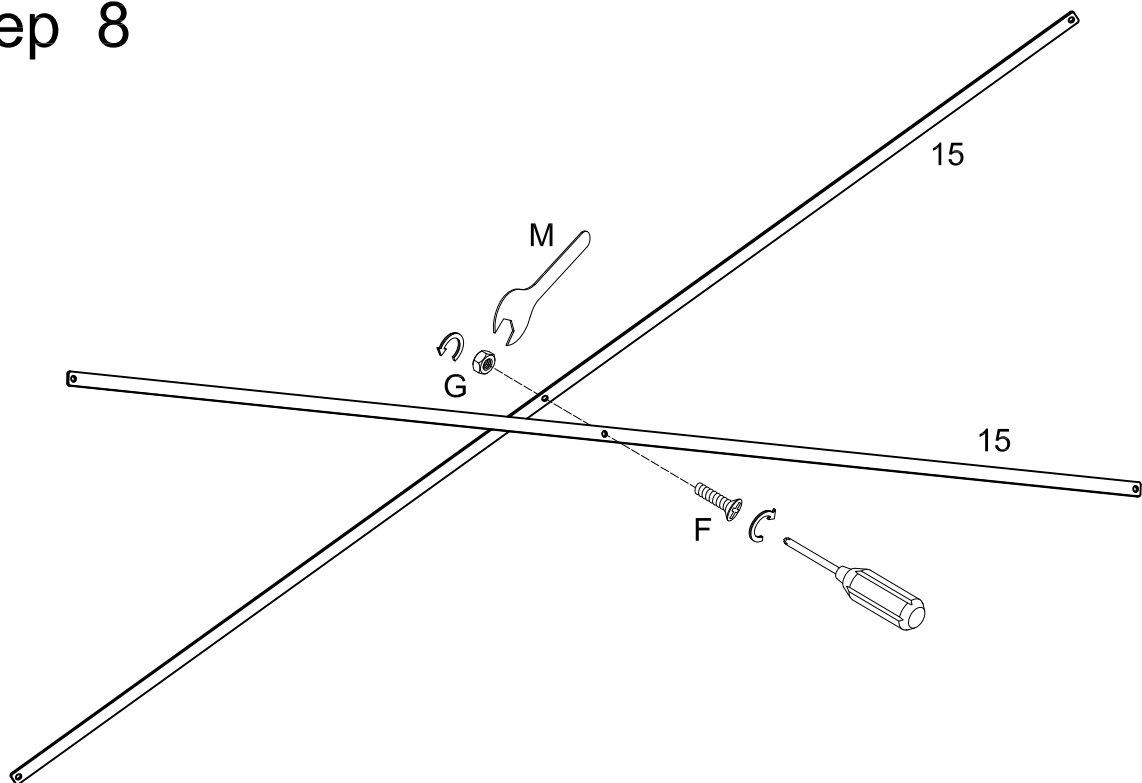
Attach seat (13) to frame assembly using bolts (B) as shown in the diagram.

## Step 7



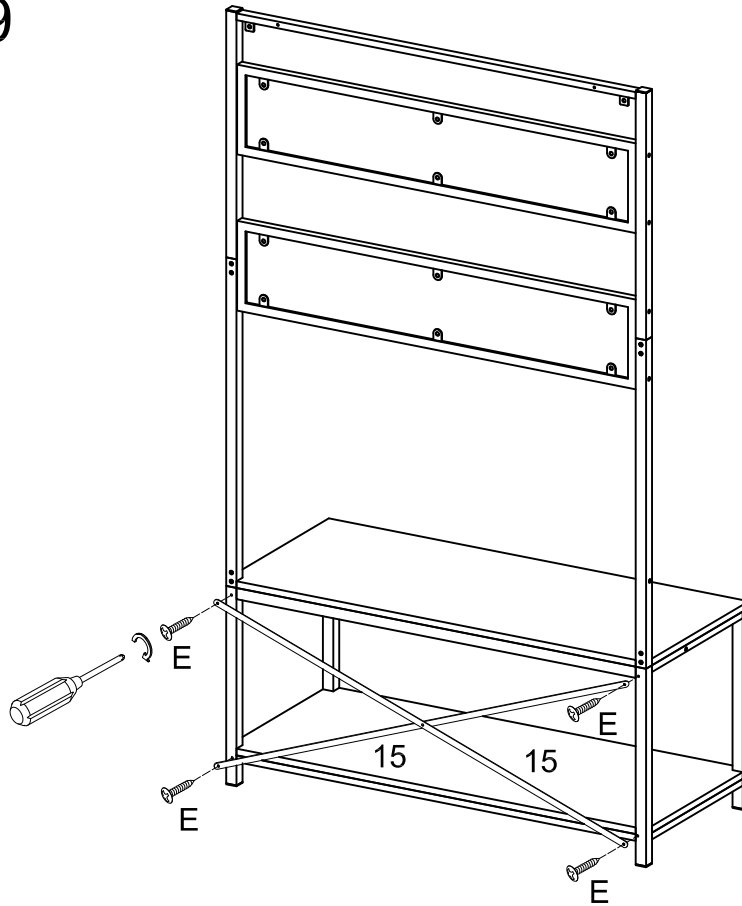
Attach shelf (14) to frame assembly using bolts (B) as shown in the diagram.

## Step 8



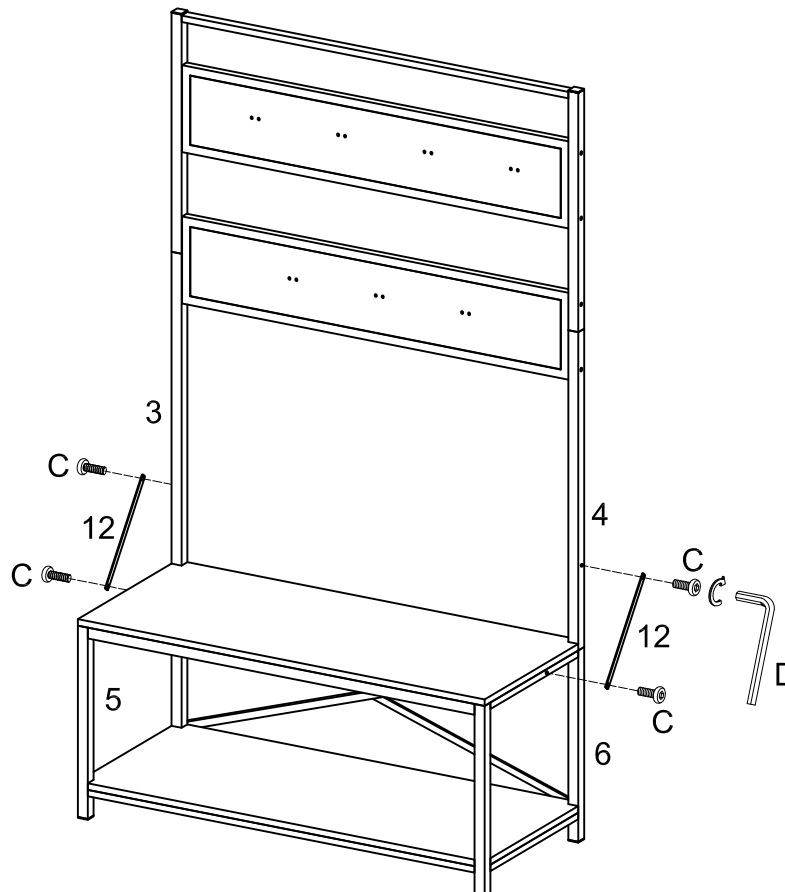
Join cross beams (15) together using bolt (F) and nut (G) as shown.

## Step 9



Secure cross beam assembly to frame using screws (E).

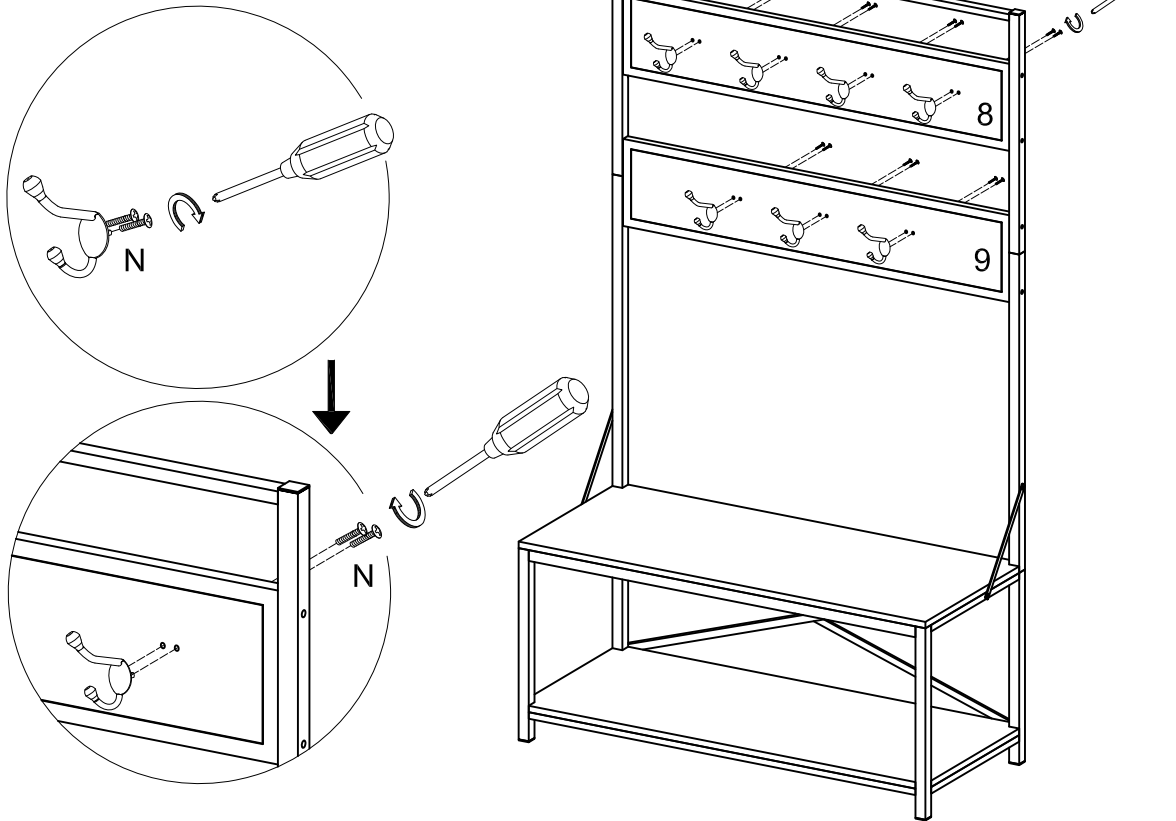
## Step 10



Attach angle supports (12) to frame using bolts (C) as shown.

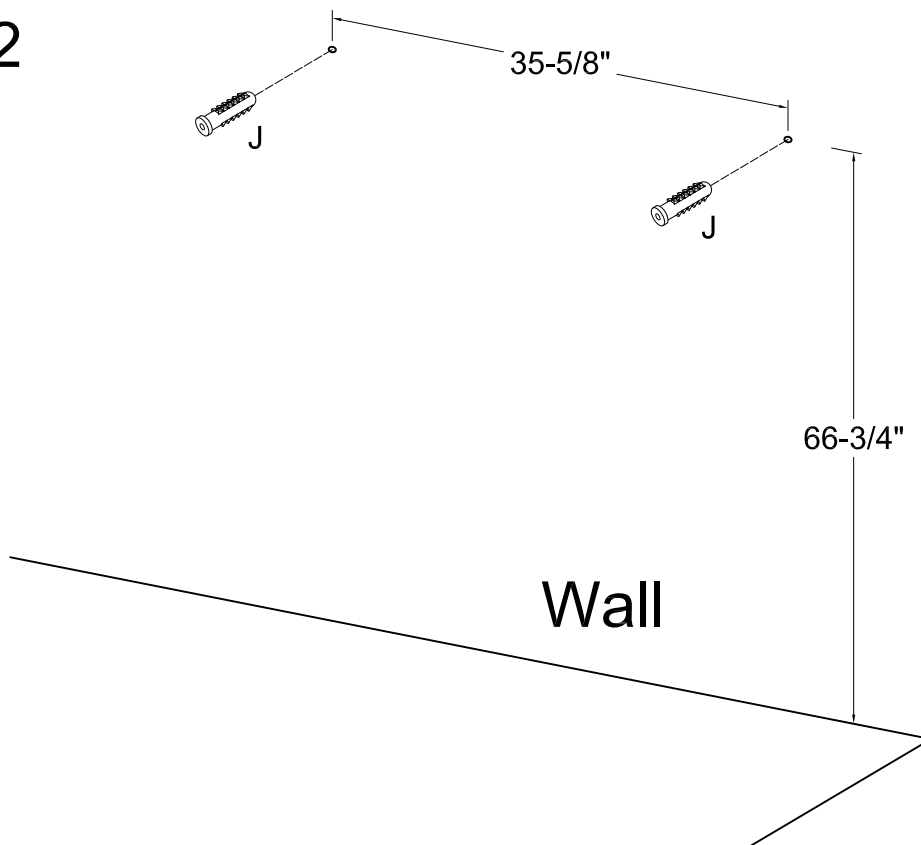


## Step 11



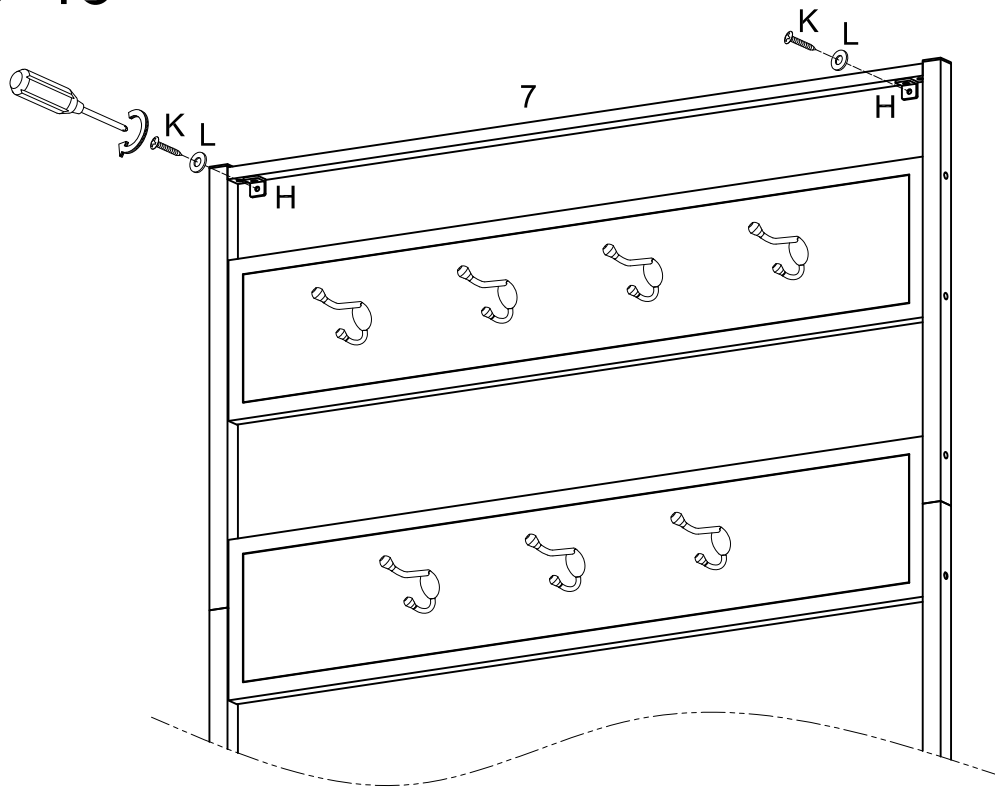
Use screw (N) to secure the hook to the wooden panel (8,9).

## Step 12



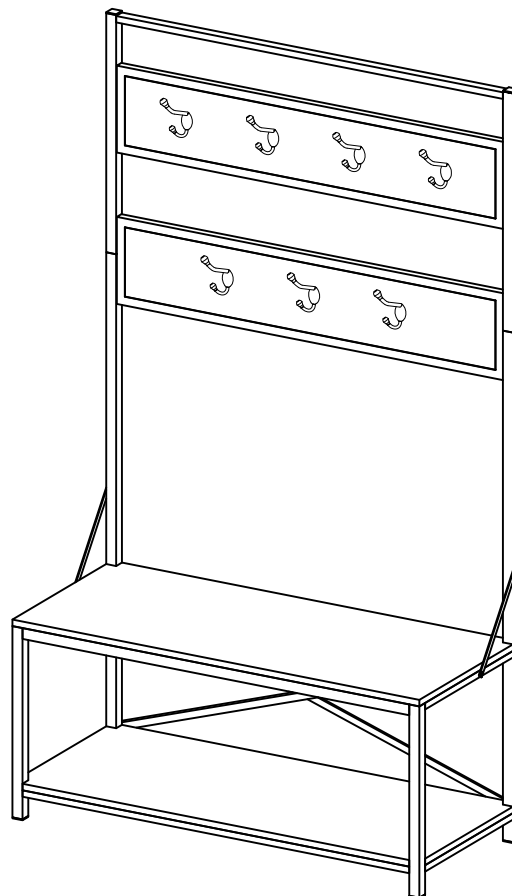
(Optional) Insert wall plugs (J) into your wall at the indicated measurements if desired.

## Step 13



(Optional) Secure unit to the wall using screws (K) and washers (L) at the installation points of wall plugs (J) from previous step.

## Step 14



**Final Assembly**