

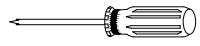
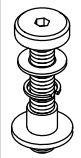



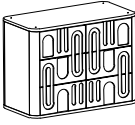

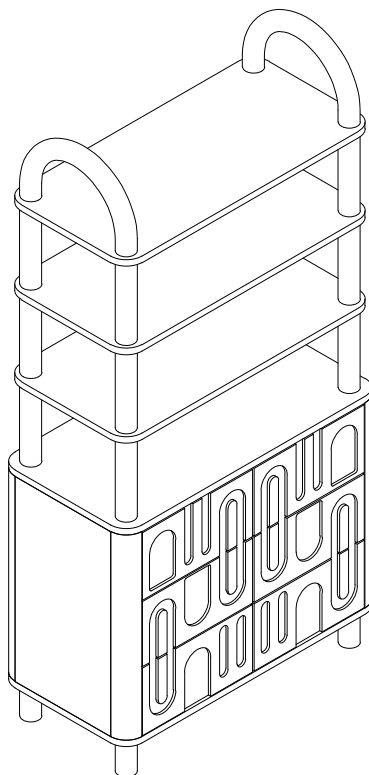


Step	Code	Hardware List	Q'TY	
5	a	Allen Key 4x110x29mm 	1Pc	
9	b	Anti-tip kit 	1set	
 Phillip head screwdriver(not included)				
PRE-INSTALLED HARDWARE LIST FOR DRESSER				
Step	Code	Sketch	Descriptions	Q'TY
5	c		Bolt 5/16"-15 x 38mm x 13mm Pre-installed	4Pcs
			Spring Washer 5/16" x 13mm x2mm Pre-installed	4Pcs
			Flat Washer 5/16" x 18mm x 2mm Pre-installed	4Pcs
			Threaded Washer 5/16"-8 x21mmx10mm Pre-installed	4Pcs

Step	Code	Parts List	Q'TY
1	A	UPPER PART 	2PCS
1,2,3	B	SHELF 	3PCS
1,2,3,5	C	MIDDLE LEG 	12PCS
4,5	D	CABINET 	1PC
8	E	BOTTOM LEG 	4PCS

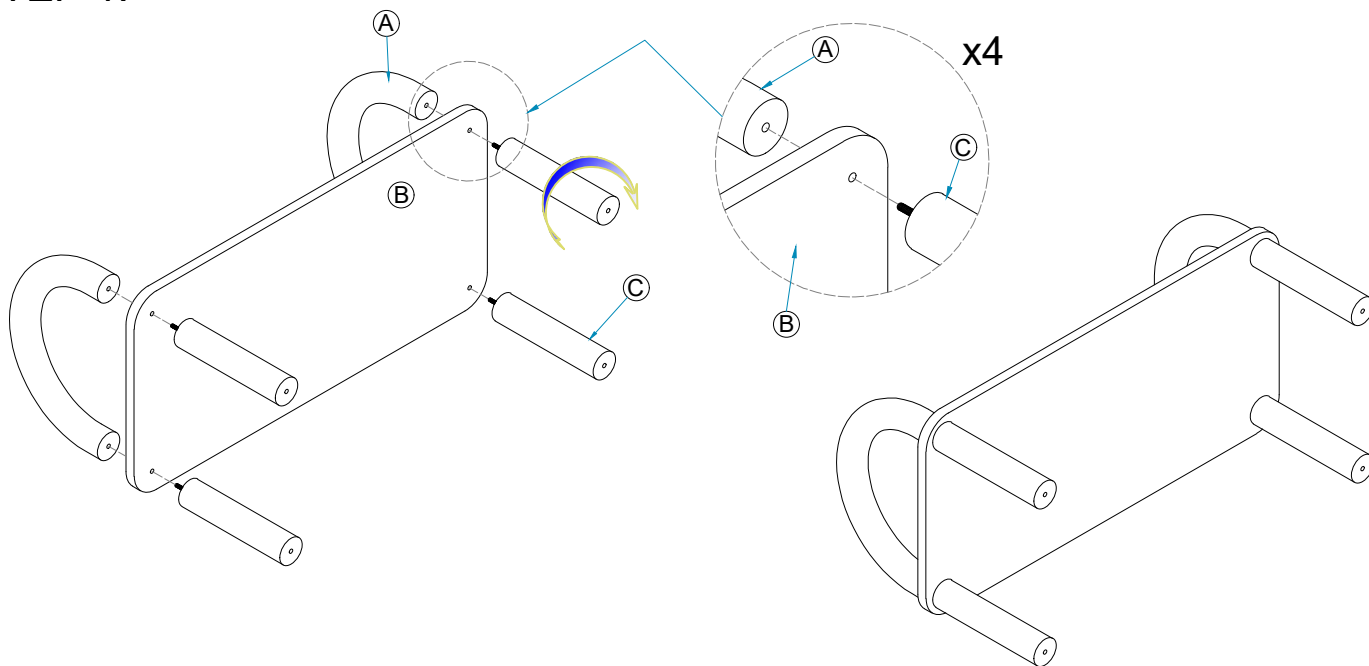
1. We recommend that you should assemble this product with the assistance of another person; this will make assembly easier and will eliminate damage to the product or injury to persons during assembly.
2. Please do not over tighten screws or bolts until assembly is complete.
3. Please put all parts on a non-abrasive floor before assembly, and follow assembly steps to assemble your newly purchased product correctly and efficiently.

Components



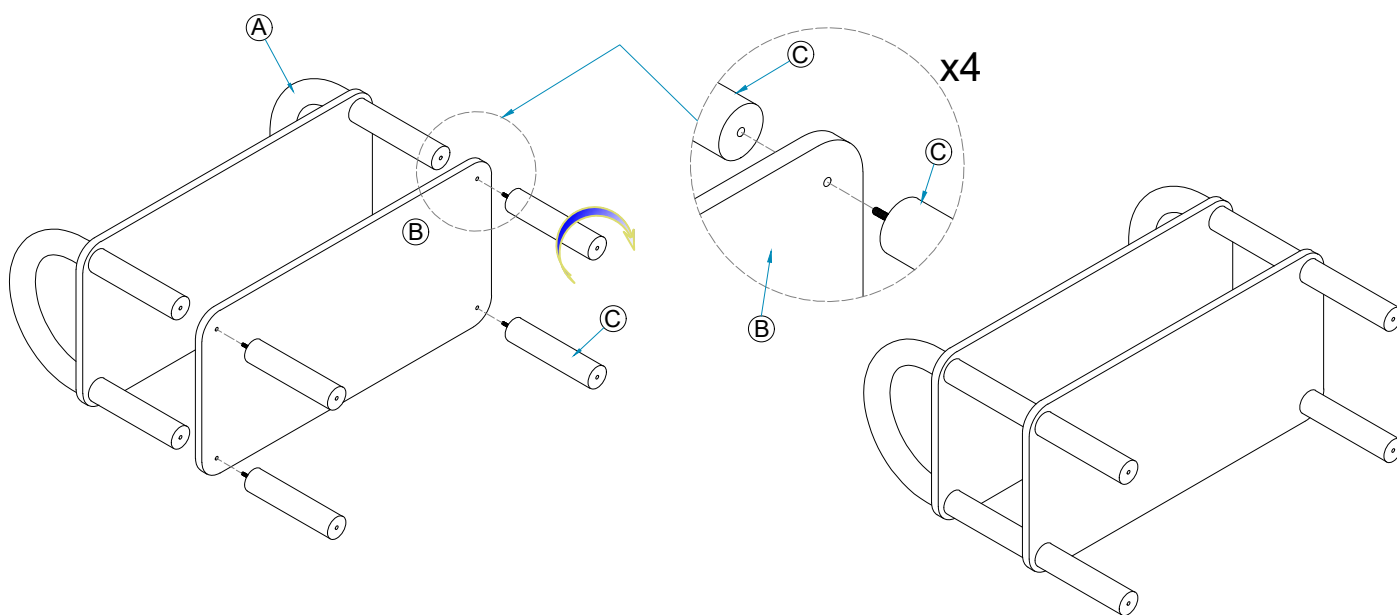
*** Caution: Please read all instructions carefully before starting the assembly process. These parts are cumbersome and heavy. Therefore, two people are recommended in order to prevent personal injury and ensure the parts are not damaged during the assembly.

STEP 1:



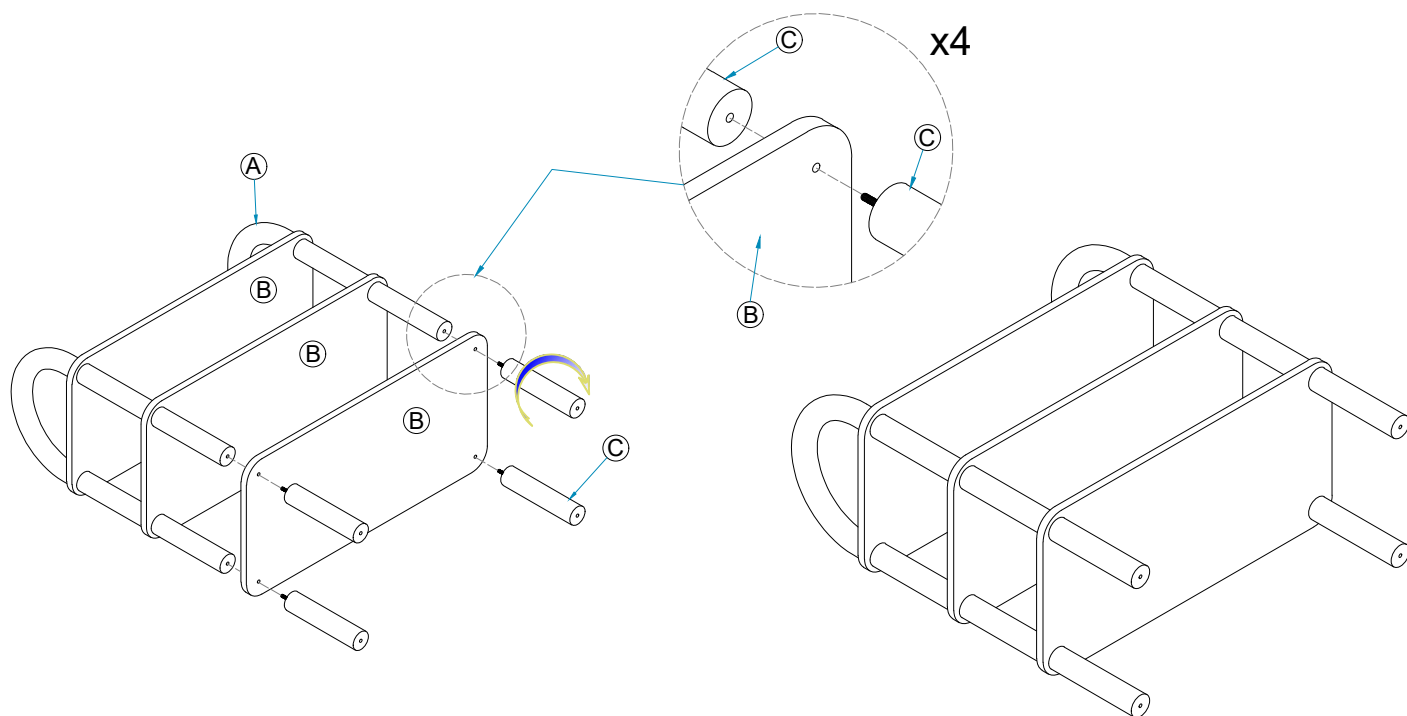
Push the threaded part of middle leg (C) through the hole in shelf (B), place upper part (A) onto the thread of middle leg (C), and tighten clockwise.

STEP 2:



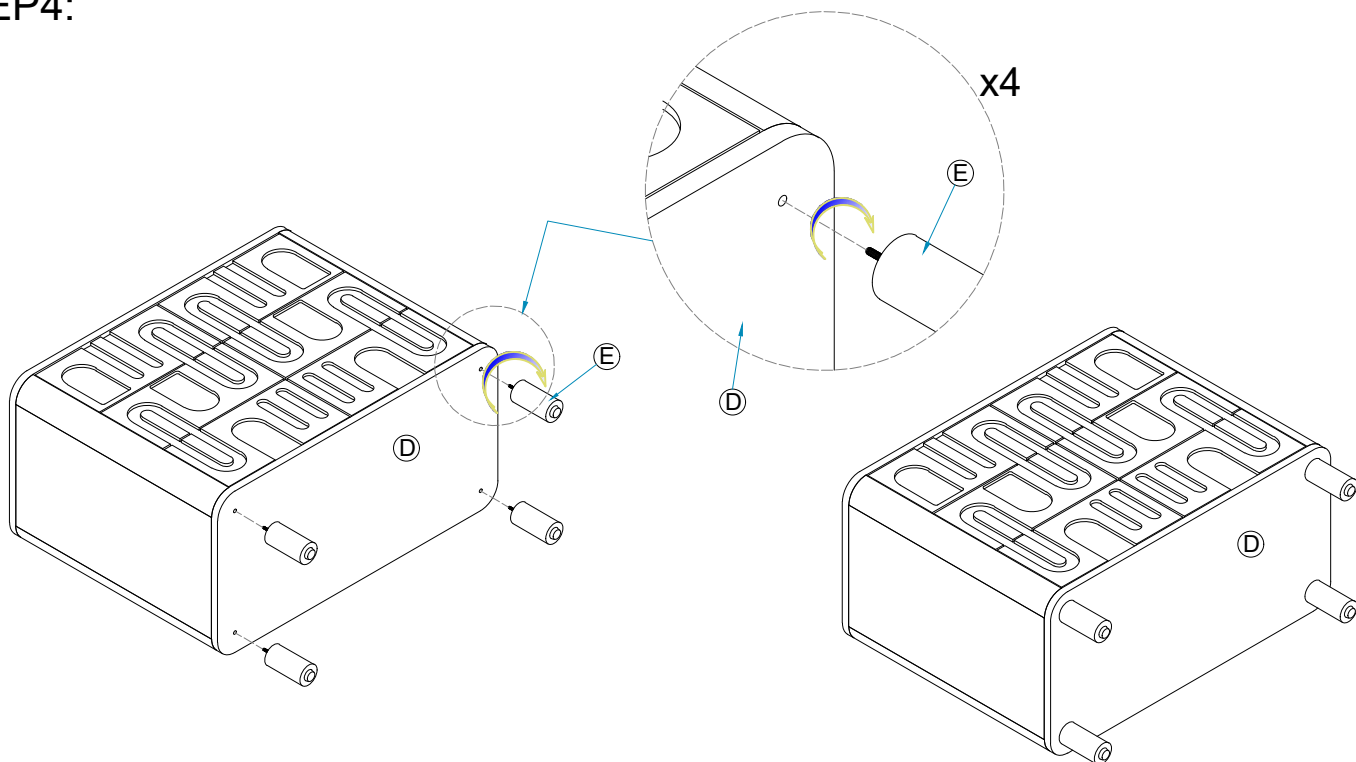
Push the threaded part of middle (C) through the hole in shelf (B), place upper part (C) onto the thread of middle leg (C), and tighten clockwise.

STEP 3:



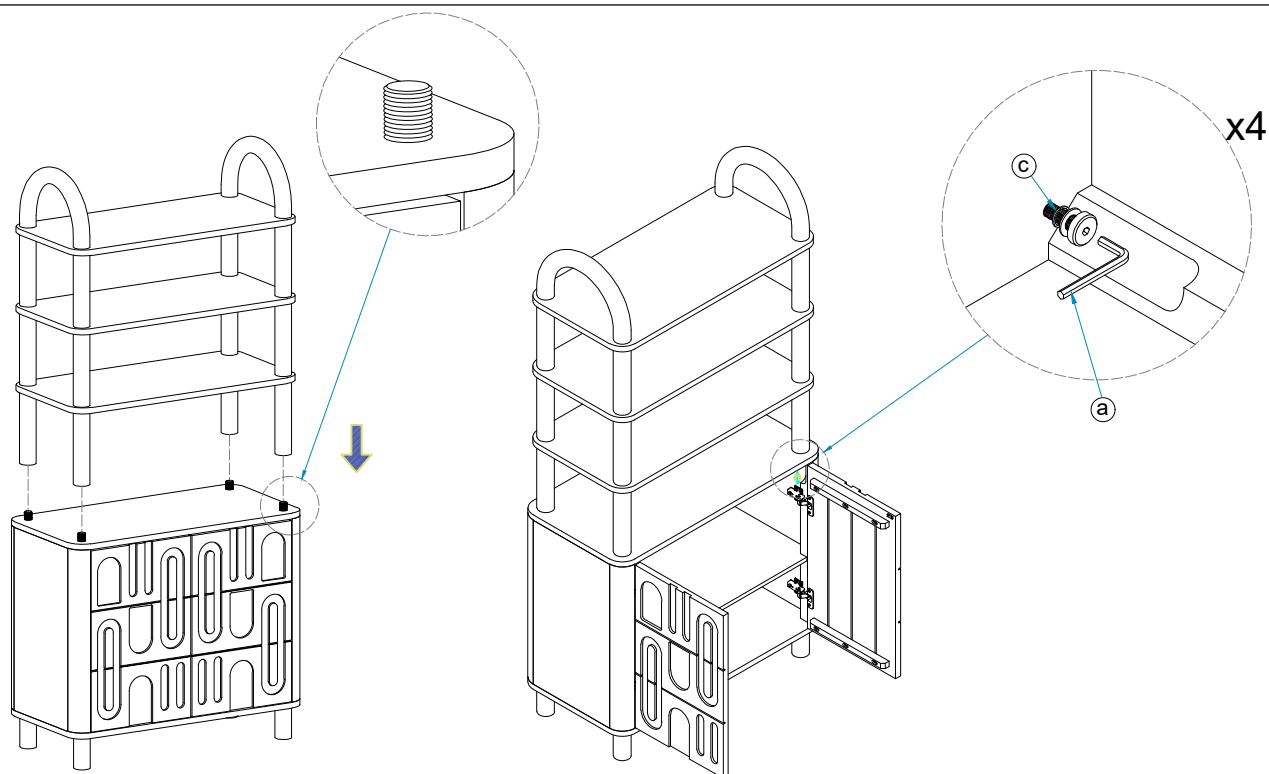
Push the threaded part of middle (C) through the hole in shelf (B),place upper part (C) onto the thread of middle leg (C),and tighten clockwise.

STEP4:



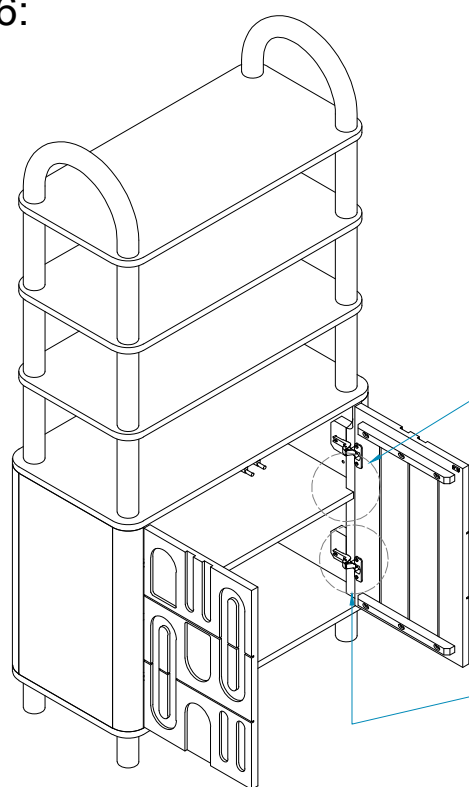
Assemble bottom leg (E) to cabinet (D) and tighten clockwise until secure

STEP 5:



The upper bookshelf section is secured to the cabinet using bolts (c)

STEP6:



Shelf are secured in place with screws through a metal shelf pin for packing and shipping. In order to adjust the shelf remove the screw with phillips head screwdriver (not included) and reposition to desired height.

Turn right middle bolt adjuster properly until door is balanced

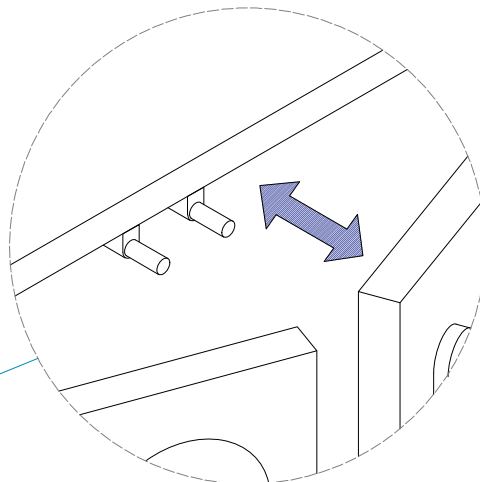
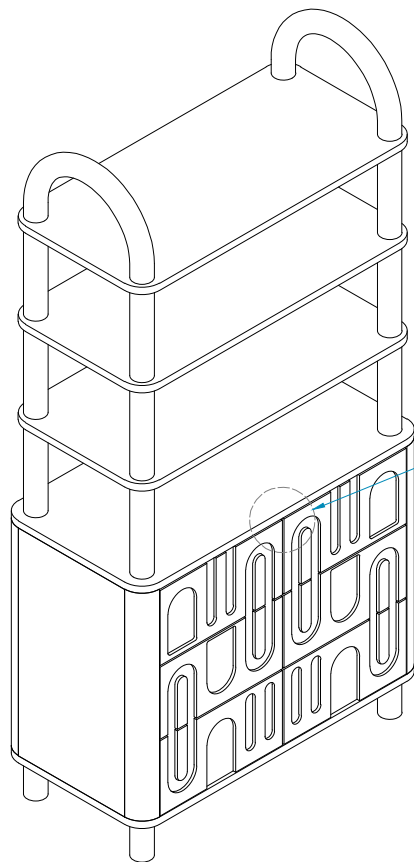
Assembly Instructions

DHAR DLBS04 BOOKCASE

SKU# 26026054

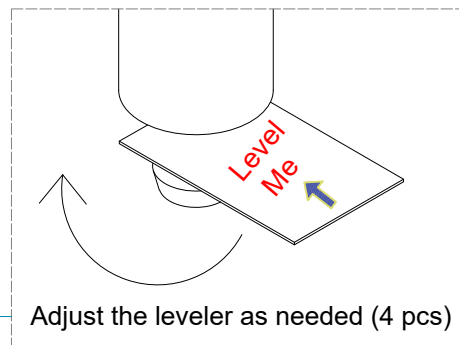
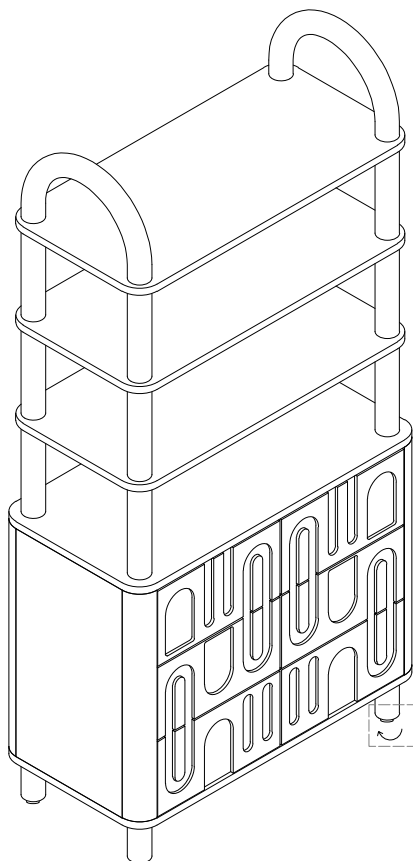
Version 01 – Date created: 2025/12/17

STEP 7:



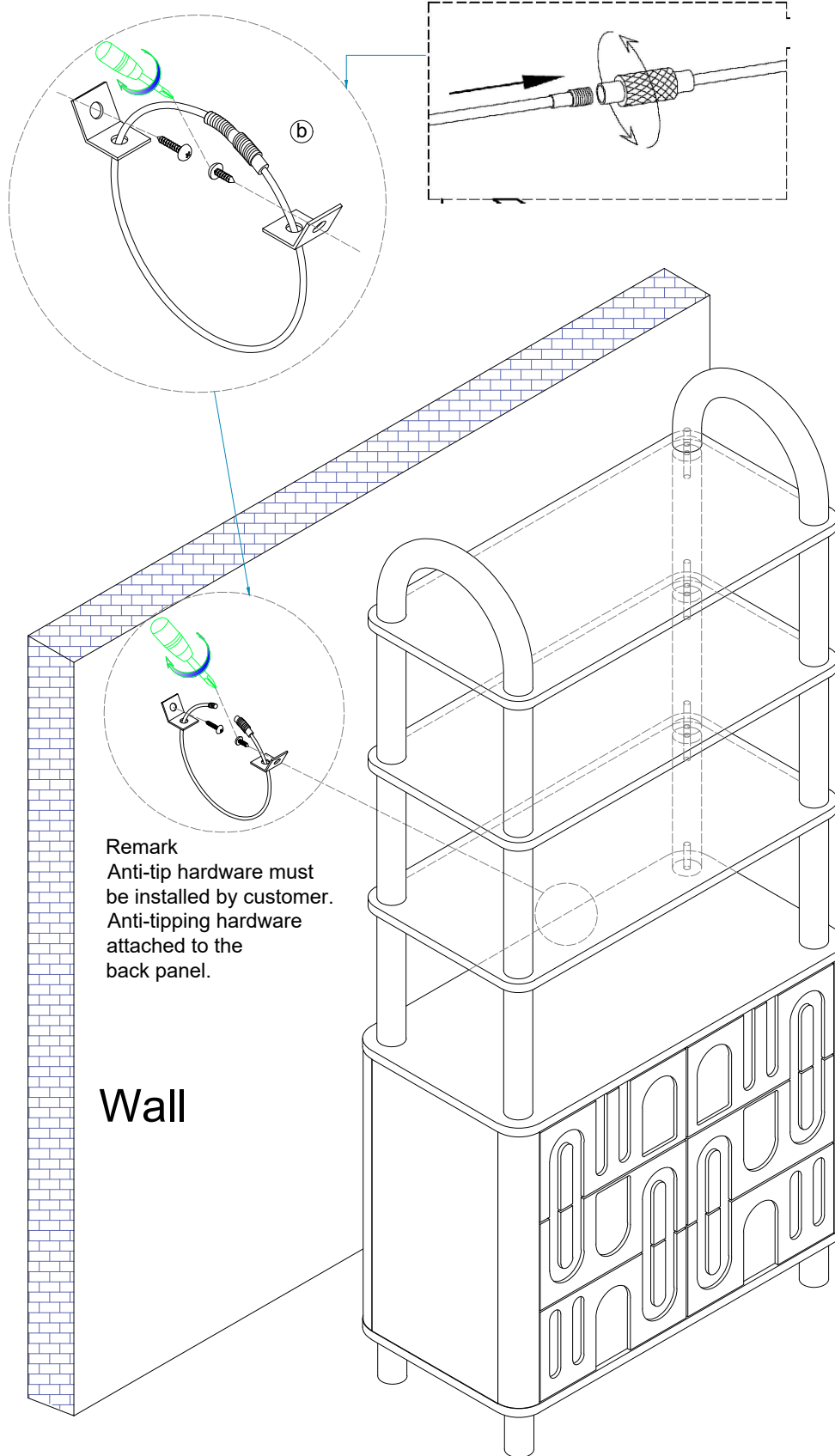
Push to open. Push again to close

STEP 8:



Adjust the leveler as needed (4 pcs)

STEP 9:



Remark
Anti-tip hardware must
be installed by customer.
Anti-tipping hardware
attached to the
back panel.

Wall