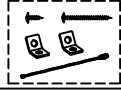




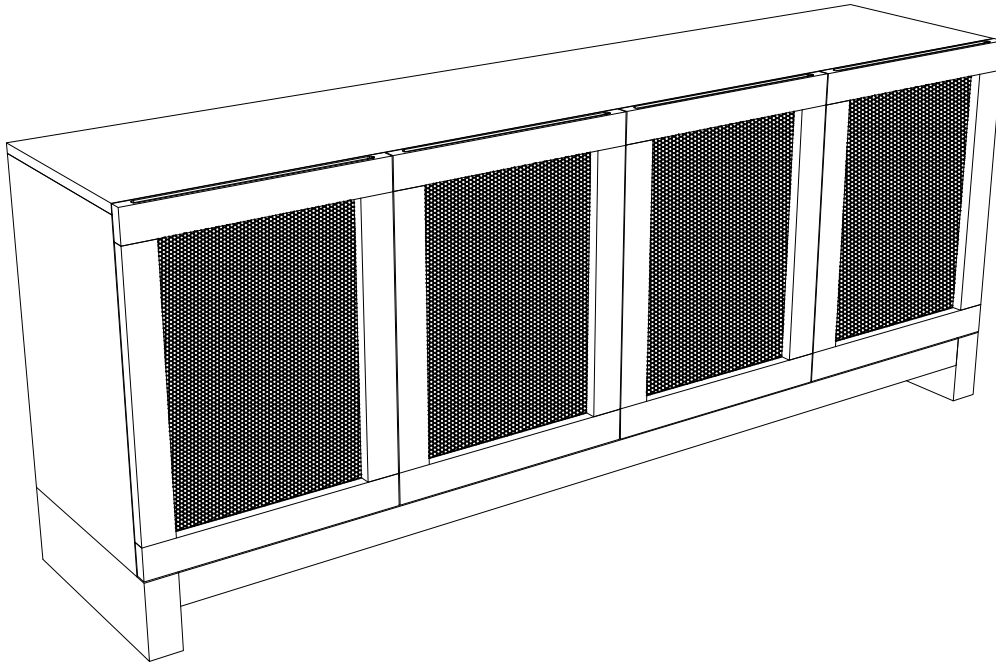
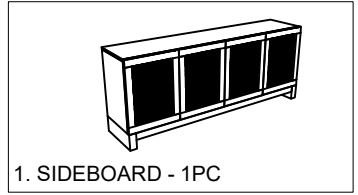
Assembly Instructions

LTID #SCO80CONBLK Scout Credenza Black
 LTID #SCO80CONNAT Scout Credenza Natural

SKU# 26040814
 SKU# 26040826

STEP	CODE	HARDWARE		Q'TY
2	A	TIPPING RESTRAINT HARDWARE KIT		2 PCS
Pre-assembled	B	SHELF PIN		8 PCS
	C	WOOD SCREW (#3.5*15mm)		8 PCS

PARTS



Hardware Pack Location(s):

Attached on the bottom of cabinet.

LTID #SCO80CONBLK Scout Credenza Black SKU# 26040814
 LTID #SCO80CONNAT Scout Credenza Natural SKU# 26040826

Assembly Instructions

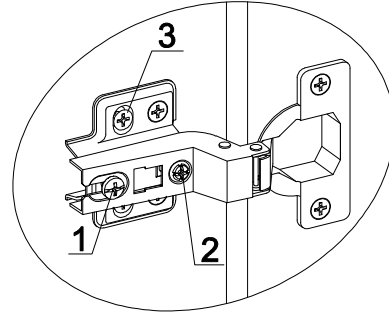
LTID #SCO80CONBLK Scout Credenza Black
LTID #SCO80CONNAT Scout Credenza Natural

SKU# 26040814
SKU# 26040826

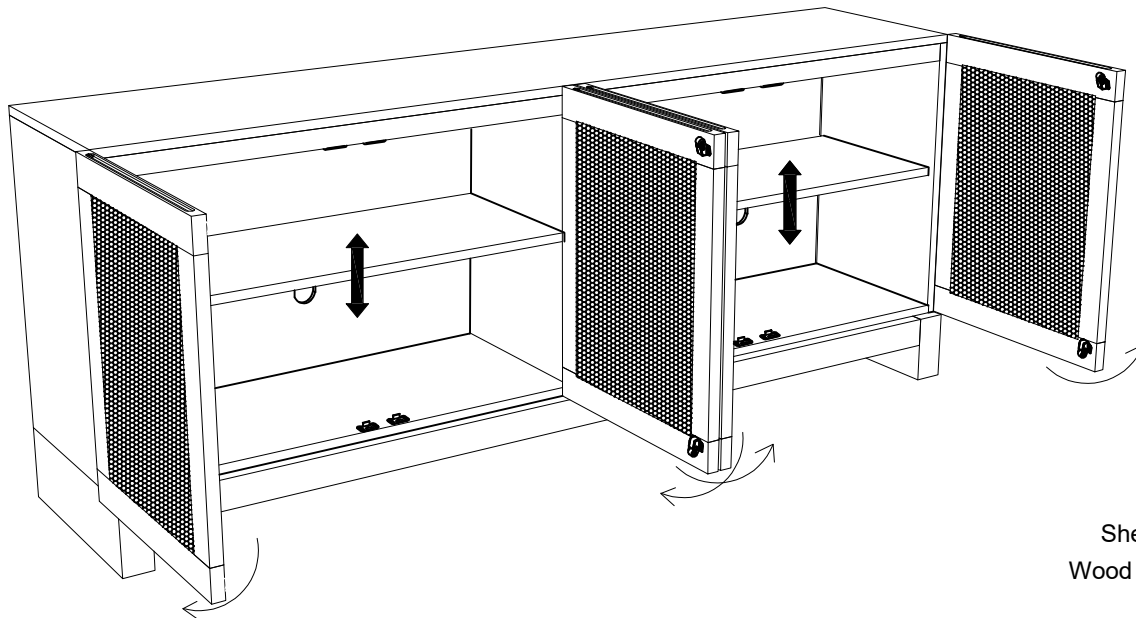
How to adjust the European adjustable hinges on doors

Shipping may cause doors to go out of alignment. If you find that the doors need to be adjusted slightly, turn the appropriate screw as illustrated.

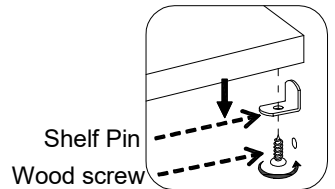
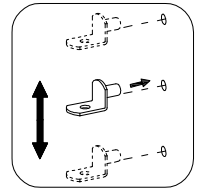
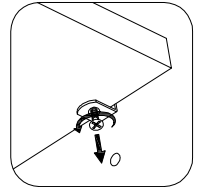
1. TO ADJUST DOOR FORWARD OR BACKWARD.
2. TO ADJUST DOOR TO RIGHT OR TO LEFT.
3. TO ADJUST DOOR UP OR DOWN.



STEP 1:



Bottom View



- 1.1 Ask for assistance to lift the assembled unit upright and position it near the final location.
- 1.2 Open the doors, adjust the door as needed by following the instructions above.
- 1.3 The adjustable shelves are pre-attached for shipping. If the shelf position is not to your liking, you will need to reposition the shelf by following steps.
 - a) Look at the bottom view of adjustable shelf and locate the Wood Screws holding the Shelf to the Shelf Pins.
 - b) Remove the Wood Screws from Shelf Pins with a Phillips screwdriver (not provided).
 - c) Remove the Adjustable Shelf from the console.
 - d) Remove the Shelf Pins from the console and re-position them in the desired location. Make sure you place the Shelf Pins in the same level, so the Shelf is not tilted.
 - e) Place the Adjustable Shelf back onto the newly relocated Shelf Pins.
 - f) Using the Phillips screwdriver (not provided), reinstall the Wood Screws through the Shelf Pin and into the Adjustable Shelf.

Assembly Instructions

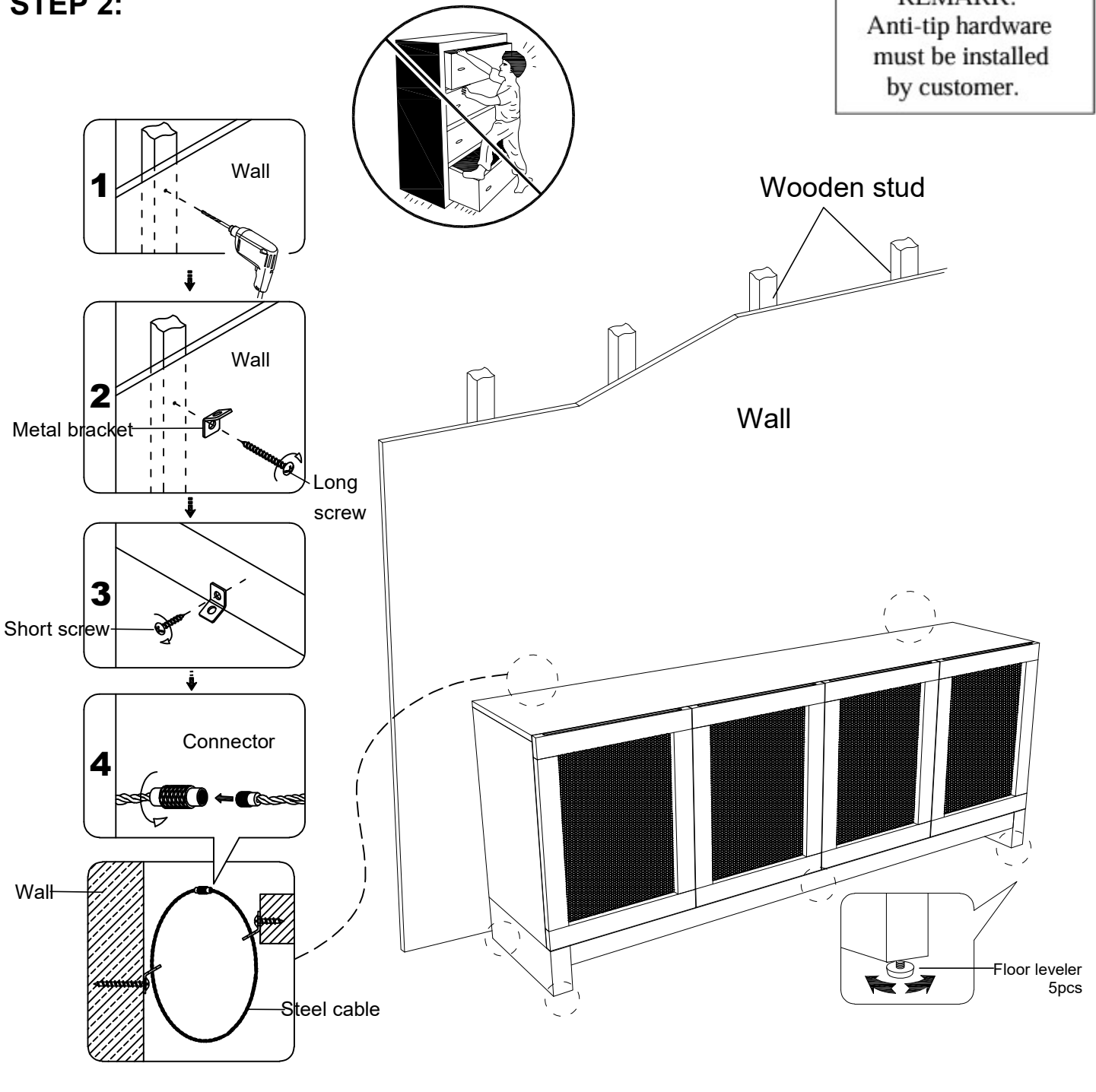
LTID #SCO80CONBLK Scout Credenza Black
LTID #SCO80CONNAT Scout Credenza Natural

SKU# 26040814
SKU# 26040826

***Caution: Please read all instructions carefully before starting the assembly process. These parts are cumbersome and heavy. Therefore, two people are recommended in order to prevent personal injury and insure the parts are not damaged during the assembly.

STEP 2:

REMARK:
Anti-tip hardware
must be installed
by customer.



Tools required (not provided): Phillips screwdriver, stud finder, pencil, tape measure, power drill and 1/8" drill bit.

2.1 Adjust the floor levelers to level the unit against the wall.

2.2 Secure the unit to the wall with the tipping restraint hardware kit provided.

Manufactured by (LTID) for Rooms To Go



Page 3 of 5

FURNITURE TIPPING RESTRAINT

YOUNG CHILDREN MAY BE INJURED BY TIPPING FURNITURE AND YOU MUST USE THIS TIPPING RESTRAINT TO ATTACH THIS UNIT TO THE WALL, TO PREVENT ACCIDENTS AND/OR INJURIES.

THIS HARDWARE MUST BE PROPERLY INSTALLED (FOLLOW ALL DIRECTIONS IN ORDER ON THIS INSTRUCTIONS), TO PROVIDE PROTECTION AGAINST THE UNEXPECTED TIPPING OF FURNITURE DUE TO IMPROPER USE.

THIS PRODUCT IS ONLY A DETERRENT. IT IS NOT A SUBSTITUTE FOR PROPER ADULT SUPERVISION. USE OF TIP-OVER RESTRAINTS MAY ONLY REDUCE, BUT NOT ELIMINATE, THE RISK OF TIP-OVER.

 WARNING	
	<p>Children have died from furniture tip-over. To reduce the risk of furniture tip-over:</p> <ul style="list-style-type: none">• ALWAYS install tip-over restraint provided.• FOR use with televisions weighing 135 lb / 61.2kg or less. Use with heavier televisions may result in instability causing tip-over resulting in death or serious injury.• NEVER allow children to stand, climb or hang on drawers, doors, or shelves.• NEVER open more than one drawer at a time.• Place heaviest items in the lowest drawers. <p>Use of tip-over restraints may only reduce, but not eliminate, the risk of tip-over.</p>

CARING FOR YOUR FURNITURE

Protect your investment

The beauty of furniture care is that it helps to protect your investment, as fine furniture is an important purchase. Proper care will help maintain your furniture's finish and ensure that it looks great year after year.

Caring for furniture

Caring for furniture is easy. Following a few simple guidelines will help extend the life of your furniture.

- **Always dust with a cloth moistened with polish.** Polish cushions the cloth, eliminating the scratching that occurs with dry dusting. Dust will scratch furniture if not removed quickly. Use a soft, clean cloth that won't scratch the surface. Avoid coarse or scratchy materials or fabrics.
- **Avoid using soap and water on furniture.** Water can penetrate the finish and raise the grain on wood. Causing damage.

The Enemies of Furniture

Many common problems in furniture care are caused by the elements. If you are aware of these troublemakers, the resulting damage can easily be avoided.

- Sunlight's ultraviolet rays can damage wood finishes. Arrange furniture out of direct sunlight use sun screening drapes during intense sunlight hours, rotate furniture in place and room arrangement.
- Liquid spills will damage furniture if not removed promptly. Use coasters under beverage glasses and saucers under cups and flowerpots. If a spill occurs, immediately blot it gently without rubbing the surface.
- Heat creates a chemical change in the furniture finish, which can result in a white spot. Use protective mats under hot dishes, utensils or cooking appliances.
- Cyclic changes in temperature can damage furniture. Placing furniture near to central heating radiators and air ducts should be avoided because this causes extreme localized drying of the wood.

Tips for Better Dusting

- Be sure to use the same type of polish consistently. Your furniture will appear cloudy or streaky if oil based or wax based polishes are interchange.
- **Always use a fine furniture polish when dusting.** Never dry dust, as it could cause microscopic scratches on your furniture's surface. Remember to change dusting cloths frequently since a dirty cloth may scratch your furniture's surface.
- Spray your furniture surface evenly, but not too generously. Wipe in a circular motion with a soft, clean cloth to clean and loosen old polish.
- Then buff until completely dry for a beautiful shine and a smudge free finish. For wood trim spray polish on the cloth first, then dust.