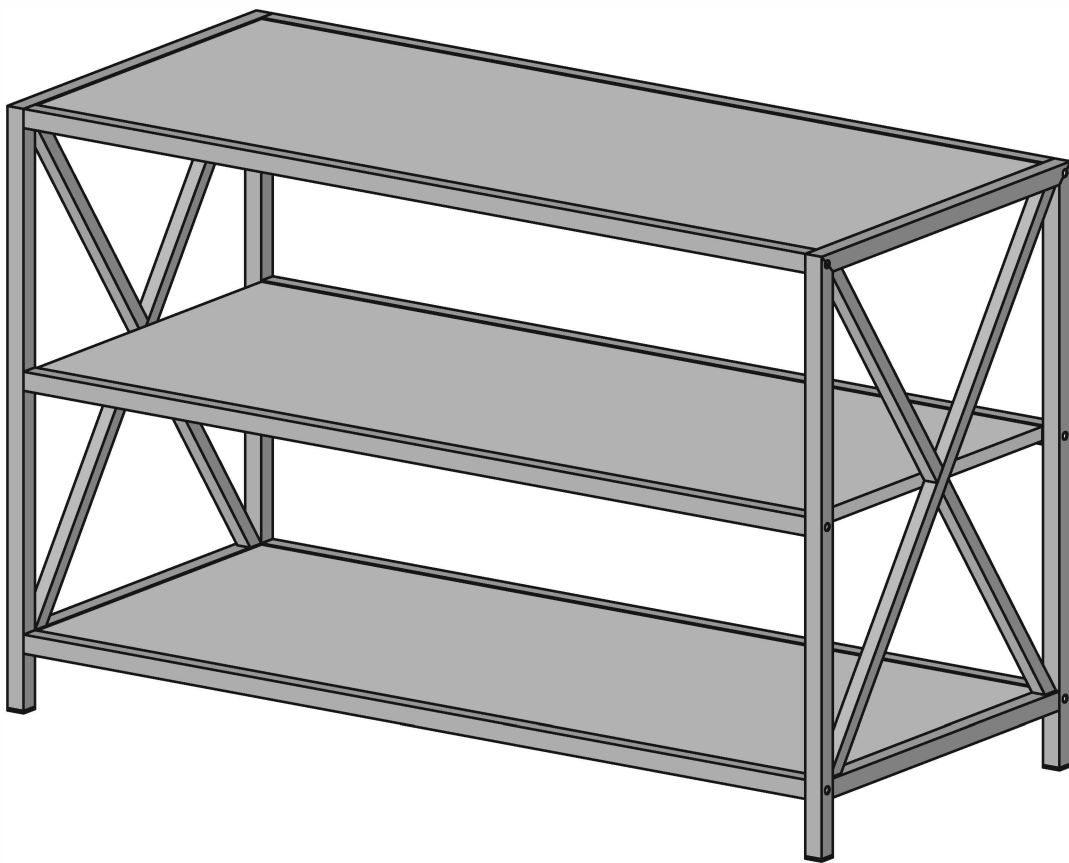


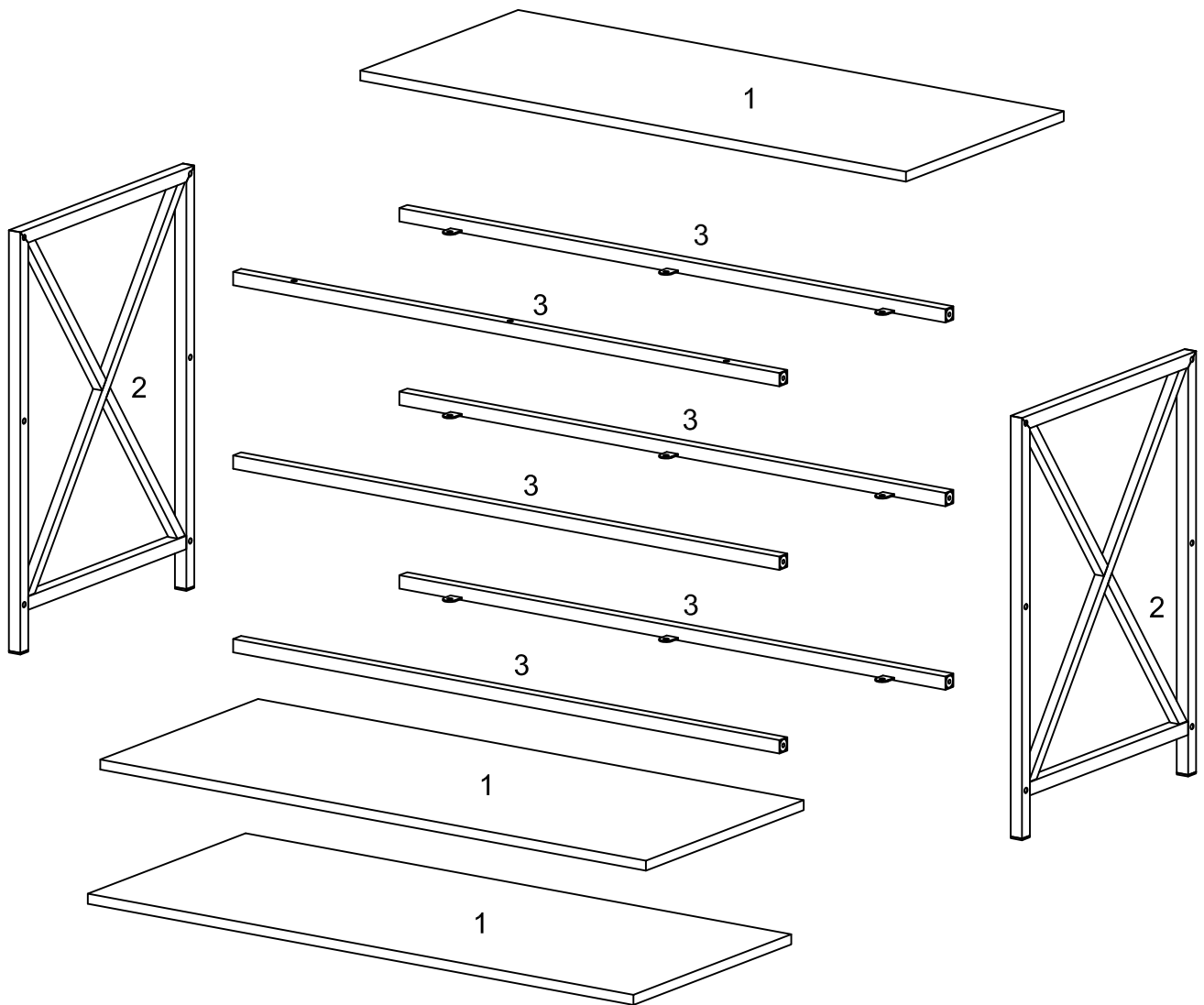
Item# : BS40XMW  
Assembly Instructions



*Please visit our website for the most current instructions, assembly tips, report damage, or request parts. [www.walkeredison.com](http://www.walkeredison.com)*

Revised 03/2017

# Parts List

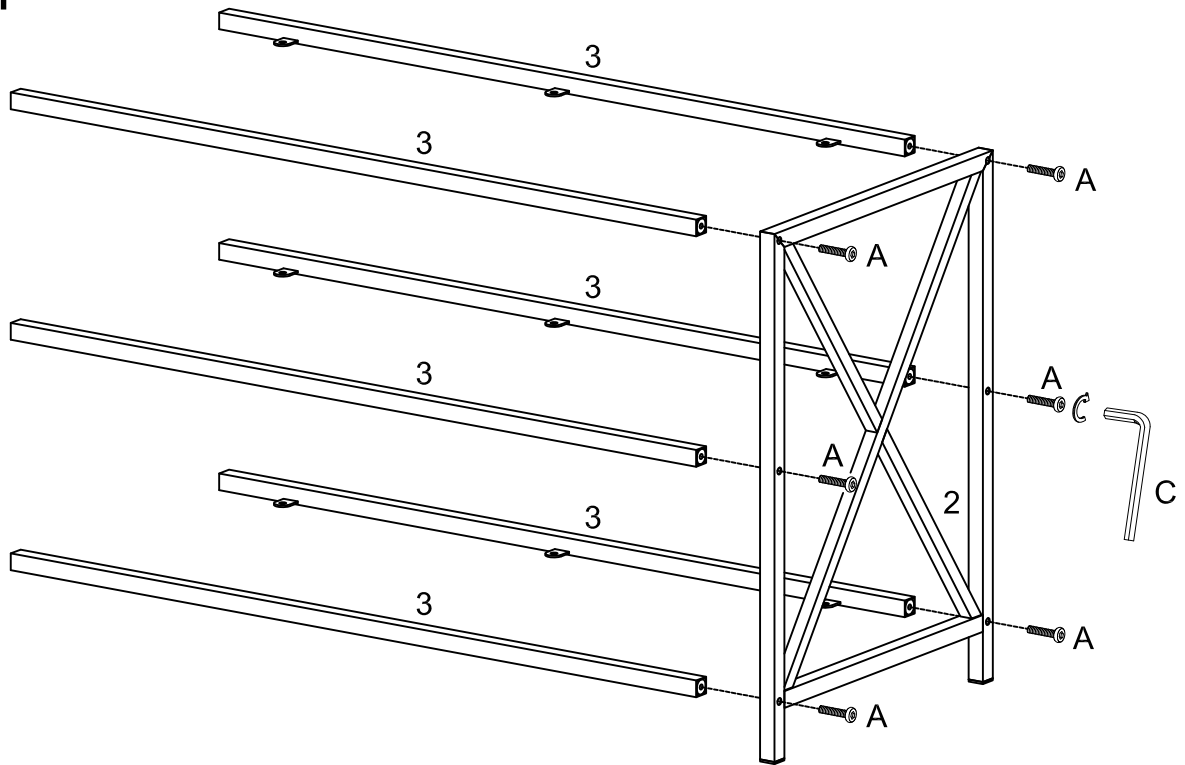


# Hardware List

A		Ø1/4"*30mm	Bolt	12 pcs
B		Ø1/4"*12mm	Bolt	18 pcs
C		M4*55mm	Wrench	1 pc

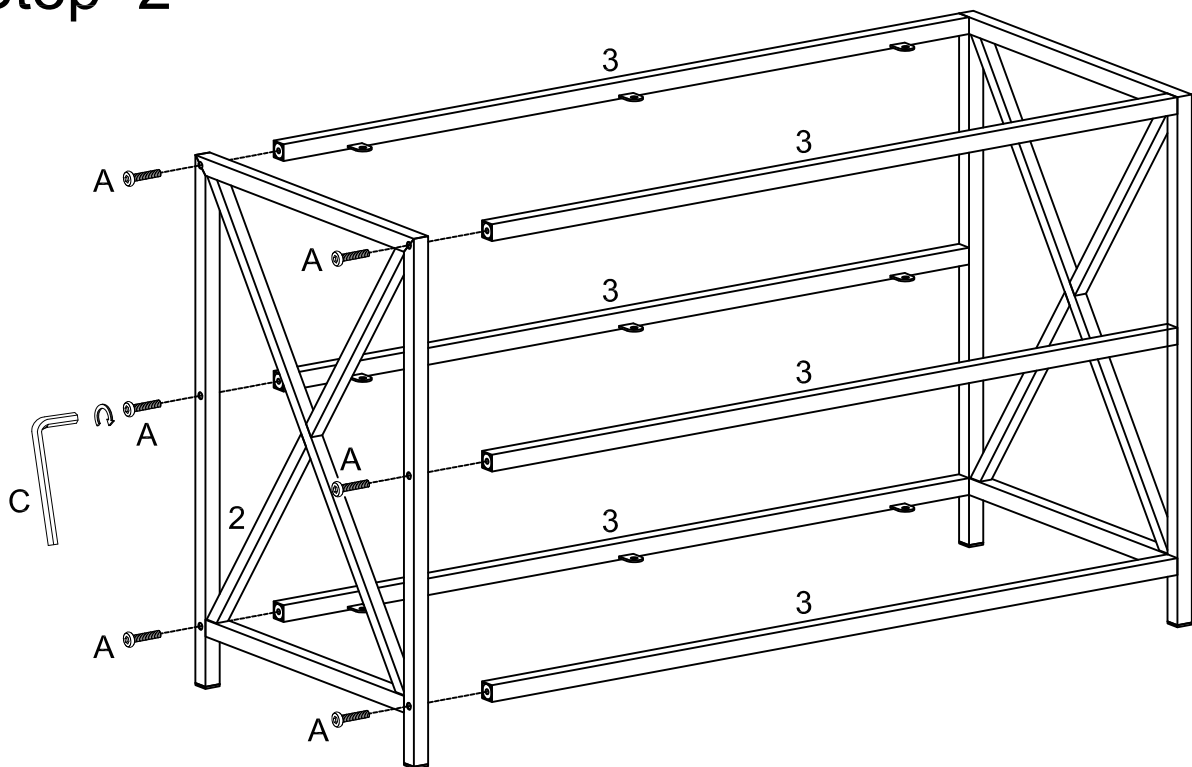
*The hardware quantities listed above are required for proper assembly.  
Some extra hardware may also have been included.*

# Step 1



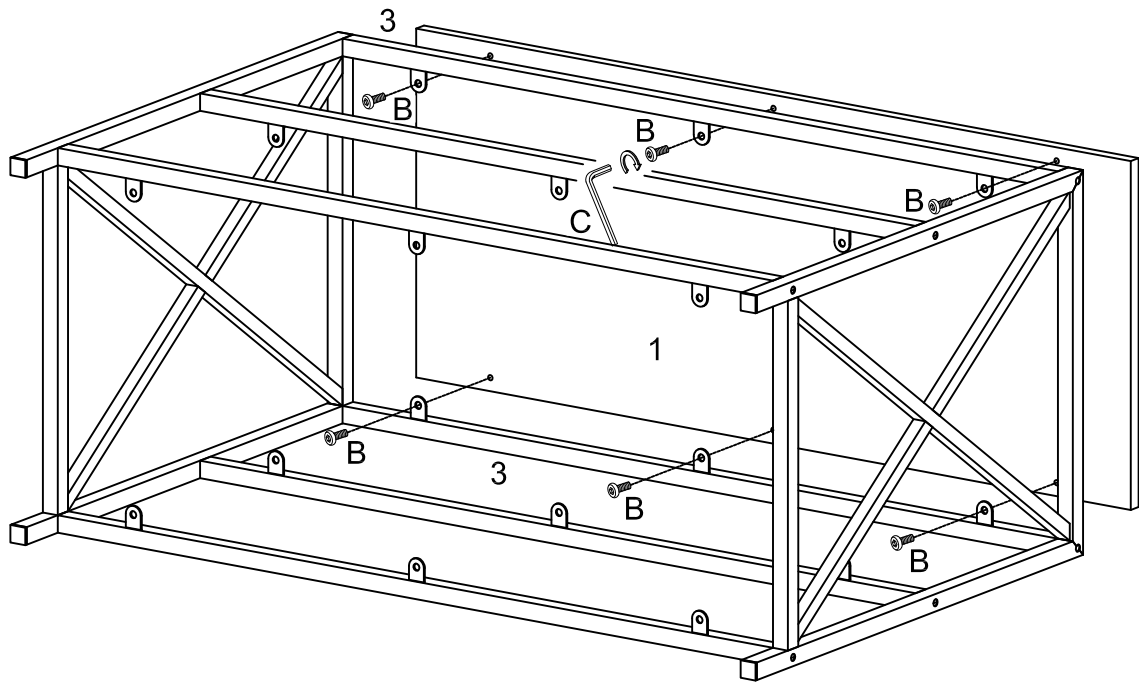
Attach supports (3) to legs (2) using bolts (A) as shown.

# Step 2



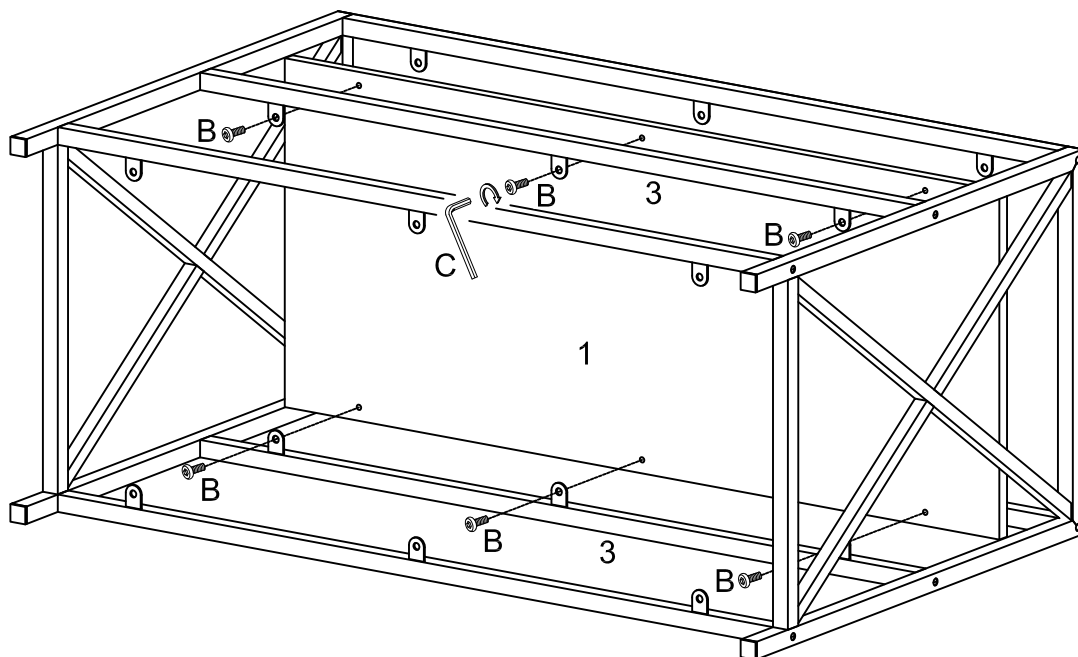
Attach supports (3) to legs (2) using bolts (A) as shown.

## Step 3



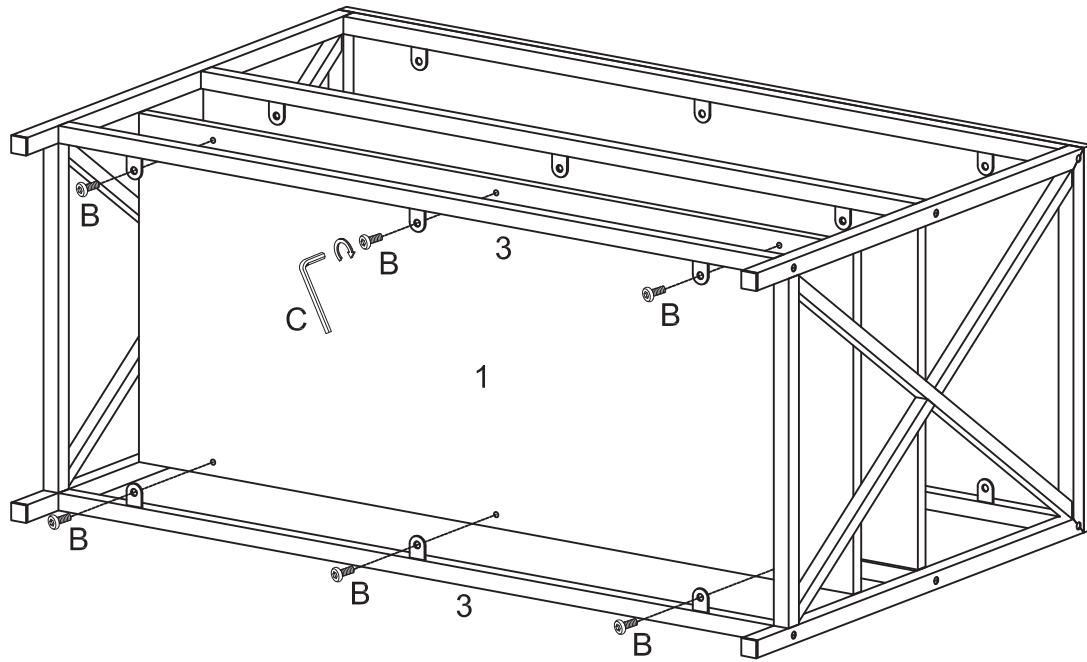
Secure top (1) to frame assembly using bolts (B) as shown in the diagram.

## Step 4



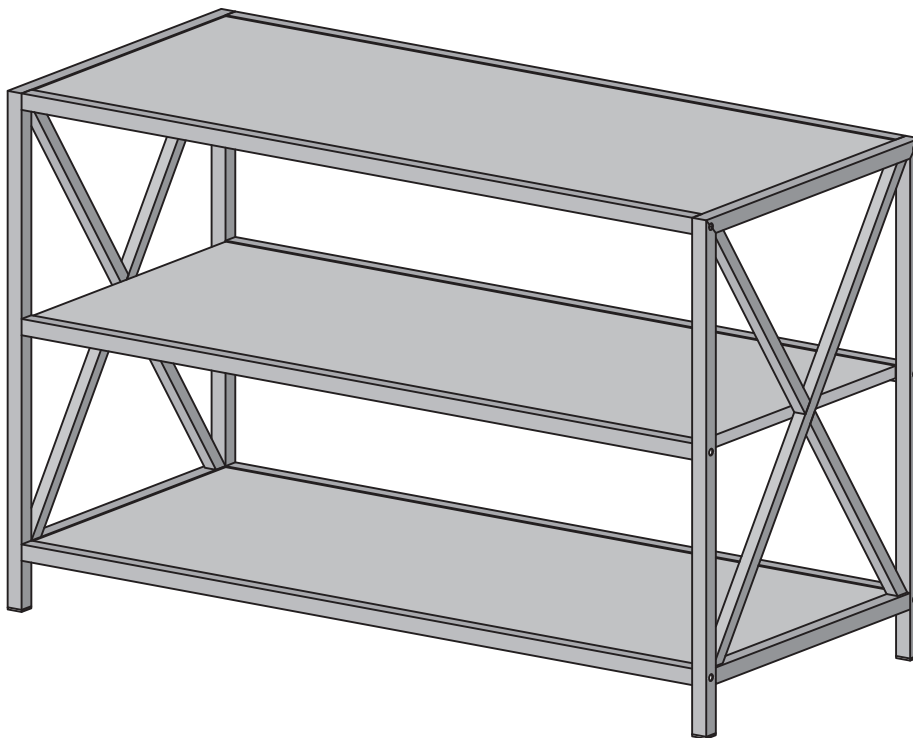
Secure middle shelf (1) to supports (3) using bolts (B) as shown in the diagram.

## Step 5



Secure bottom shelf (1) to supports (3) using bolts (B) as shown in the diagram.

## Step 6



## Final Assembly