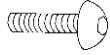

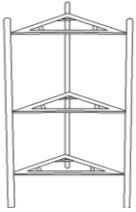


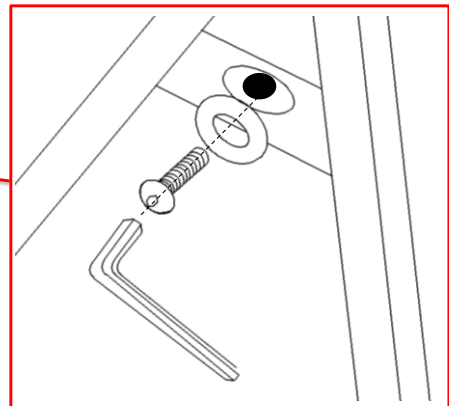
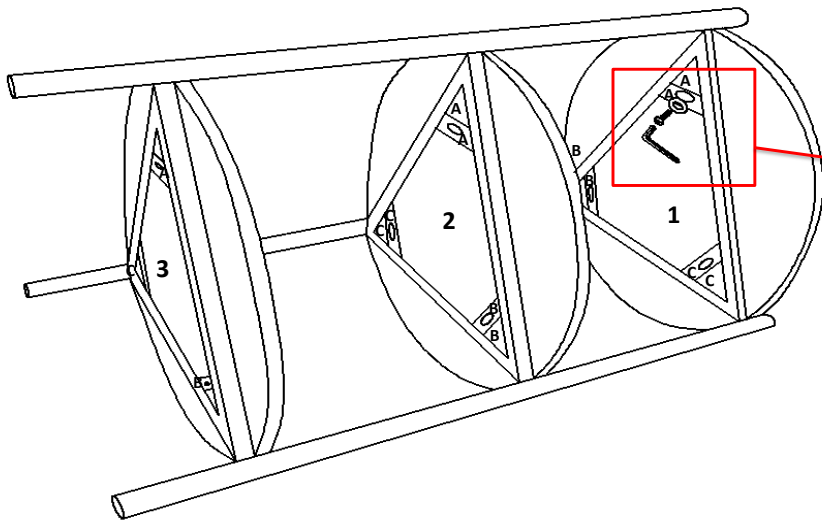


ASSEMBLY INSTRUCTION SIDE TABLE #44611

HARDWARE PARTS				SIDE TABLE PARTS	
No.	Drawing	Qty.	Extra Qty.		
1	 0.19/0.75 INCHES ALLEN BOLT 9 PCS.	9	1	 TOP - 3	 BASE - 1
2	 0.11 INCH ALLEN KEY 1 PC.	1	0		
3	 FLAT WAHSER	9	1		

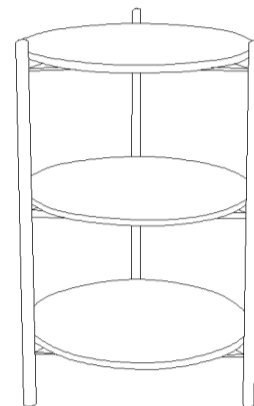
Step:- 1 Spread a rug on floor & put the table parts. As shown in drawing

Step:-2 Place the marble to the iron base after screw the Allen bolt 16(0.19/0.75 inch), along with flat washer help of allen key 1(0.11 Inch). As shown in drawing



ASSEMBLING OF TOP

ASSEMBLE TOP WITH HELP OF ALLEN BOLT, FLAT, SPRING WASHER AND ALLEN KEY



Tip for leveling of product: When the product rests on an uneven floor surface it will appear to be unbalanced. To aid in leveling, try adjusting the levelers located on the bottom of each foot.

READY TO USE