

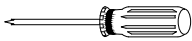

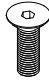
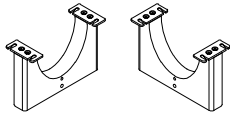

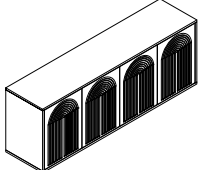


# Assembly Instructions

DHAR DLRTG24508 CARVED RAINBOW DOOR CREDENZA SKU# 26045080

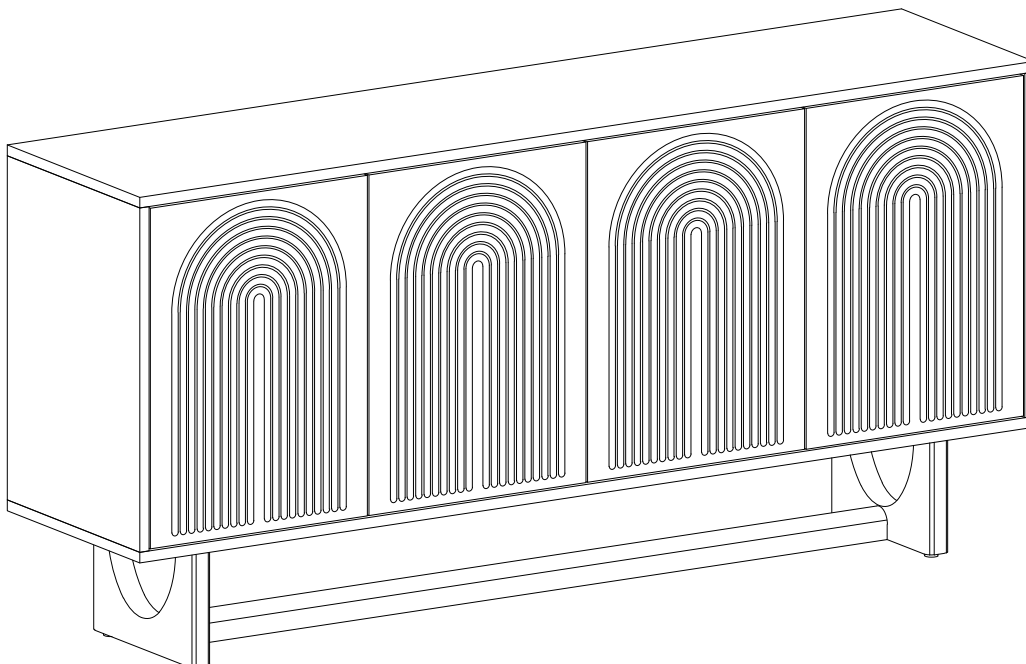
Version 01 – Date created: 2025/12/17

Step	Code	Hardware List	Q'TY	
1,3,4	a	Allen Key 4x110x29mm 	1Pc	
8	b	Anti-tip kit 	2set	
 Phillip head screwdriver( not included)				
PRE-INSTALLED HARDWARE LIST FOR DRESSER				
Step	Code	Sketch	Descriptions	Q'TY
1	c		Bolt 5/16"-15 x 38mm x 13mm Pre-installed	2Pcs
			Spring Washer 5/16" x 13mm x2mm Pre-installed	2Pcs
			Flat Washer 5/16" x 18mm x 2mm Pre-installed	2Pcs
			Threaded Washer 5/16"-8 x21mmx10mm Pre-installed	2Pcs
2,3	d		Bolt 5/16"-15 x 15mm x 13mm Pre-installed	8Pcs

Step	Code	Parts List	Q'TY
1,2,3	A	SIDE LEG 	2PCS
1,2,3	B	BOTTOM STRETCHER 	1PC
3,4	C	CABINET 	1PC

- We recommend that you should assemble this product with the assistance of another person; this will make assembly easier and will eliminate damage to the product or injury to persons during assembly.
- Please do not over tighten screws or bolts until assembly is complete.
- Please put all parts on a non-abrasive floor before assembly, and follow assembly steps to assemble your newly purchased product correctly and efficiently.

## Components



**Hardware Pack Location(s):** DHAR DLRTG24508 CARVED RAINBOW DOOR CREDENZA SKU# 26045080

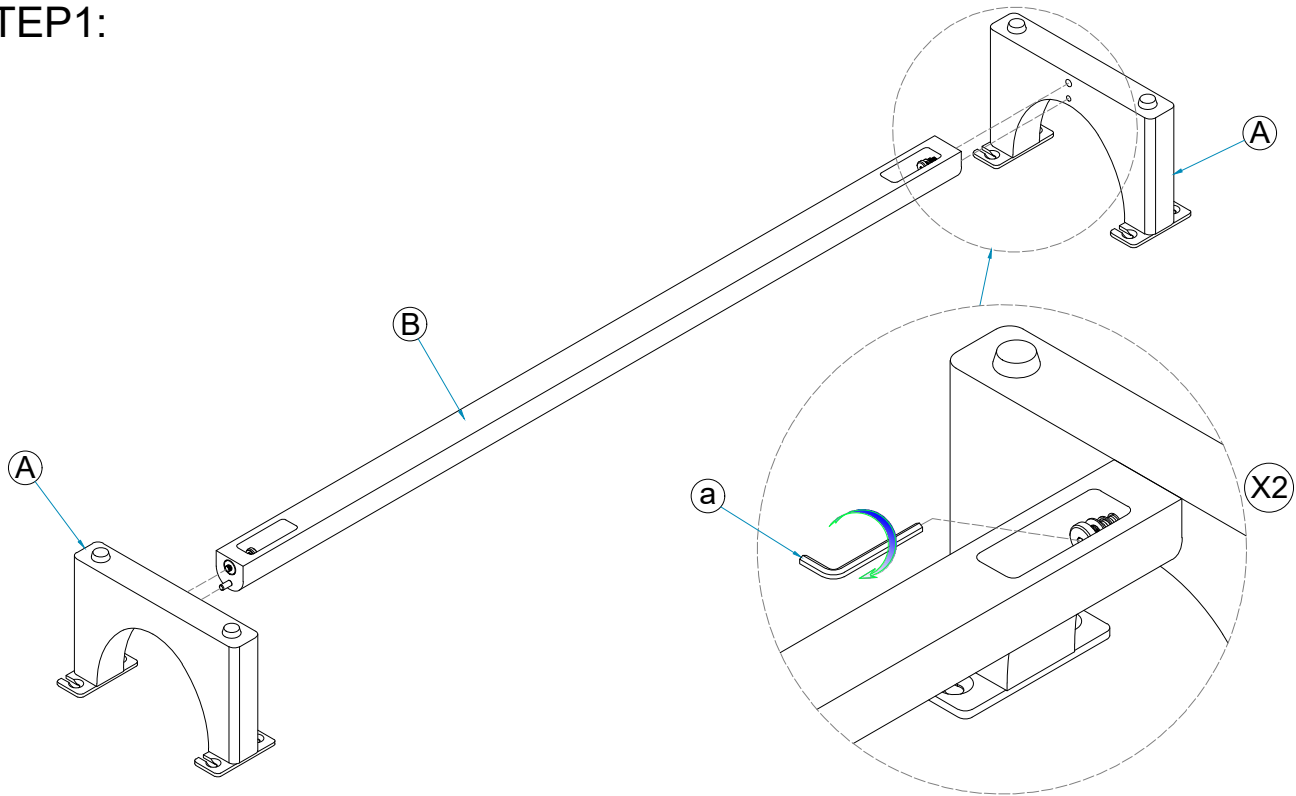
# Assembly Instructions

DHAR DLRTG24508 CARVED RAINBOW DOOR CREDENZA SKU# 26045080

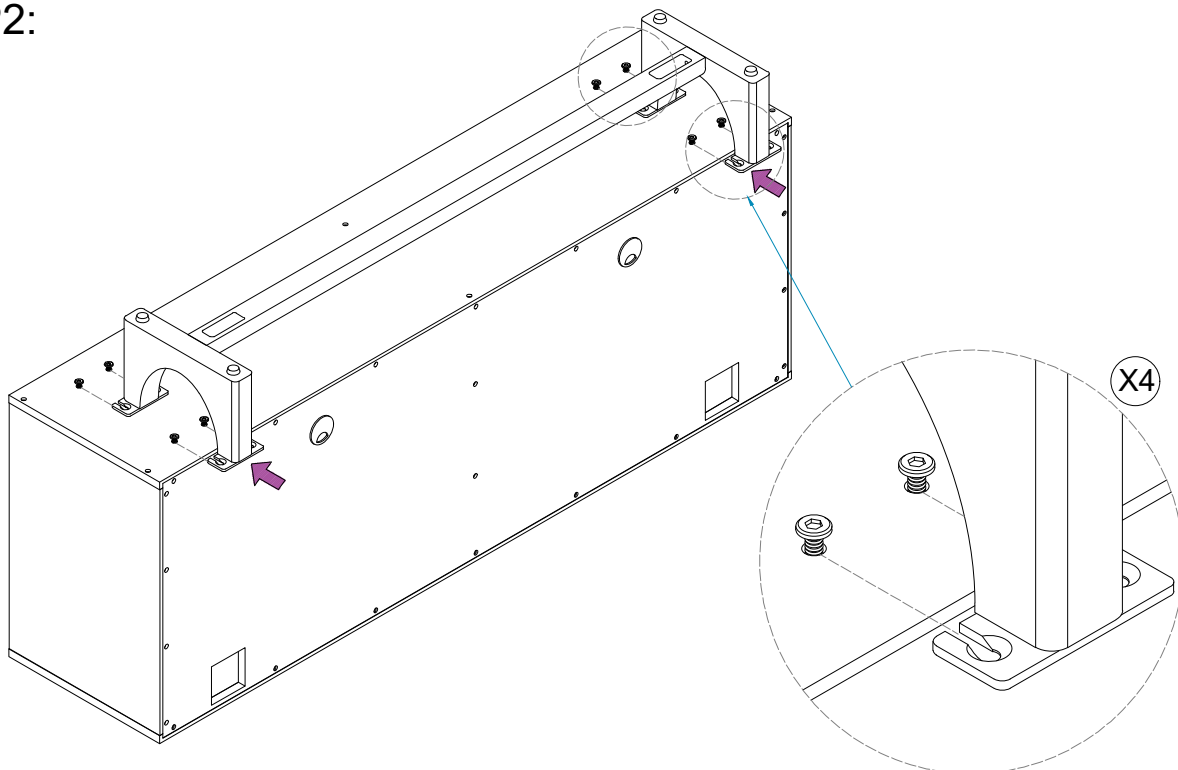
Version 01 – Date created: 2025/12/17

\*\*\* Caution: Please read all instructions carefully before starting the assembly process. These parts are cumbersome and heavy. Therefore, two people are recommended in order to prevent personal injury and ensure the parts are not damaged during the assembly.

## STEP1:



## STEP2:



**Hardware Pack Location(s):** DHAR DLRTG24508 CARVED RAINBOW DOOR CREDENZA SKU# 26045080

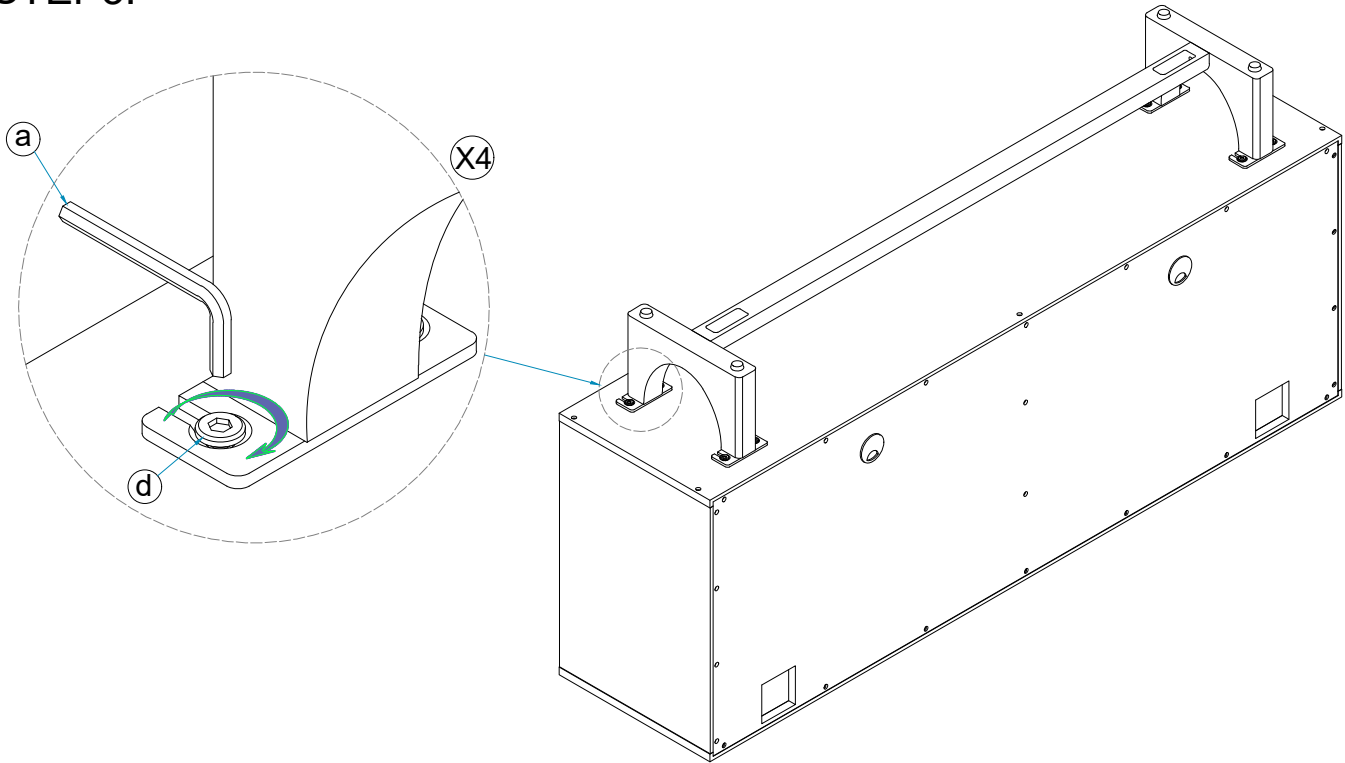
# Assembly Instructions

DHAR DLRTG24508 CARVED RAINBOW DOOR CREDENZA SKU# 26045080

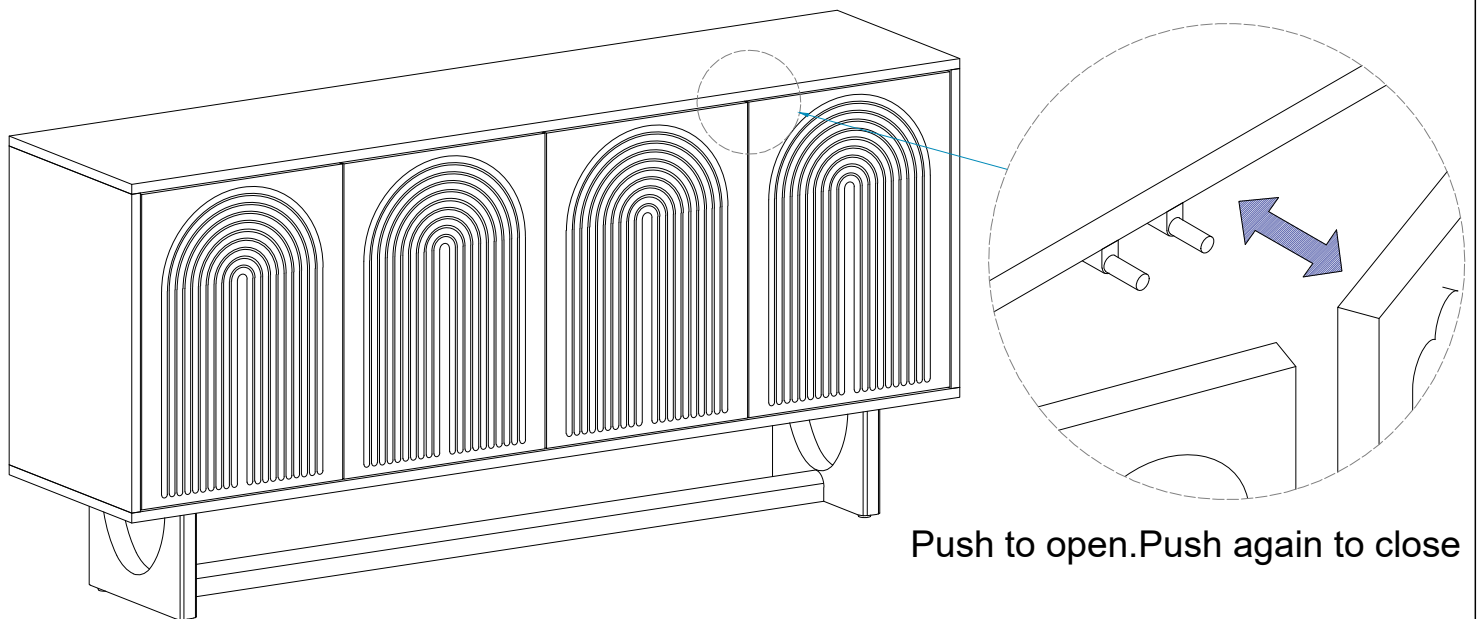
Version 01 – Date created: 2025/12/17

\*\*\* Caution: Please read all instructions carefully before starting the assembly process. These parts are cumbersome and heavy. Therefore, two people are recommended in order to prevent personal injury and ensure the parts are not damaged during the assembly.

## STEP3:

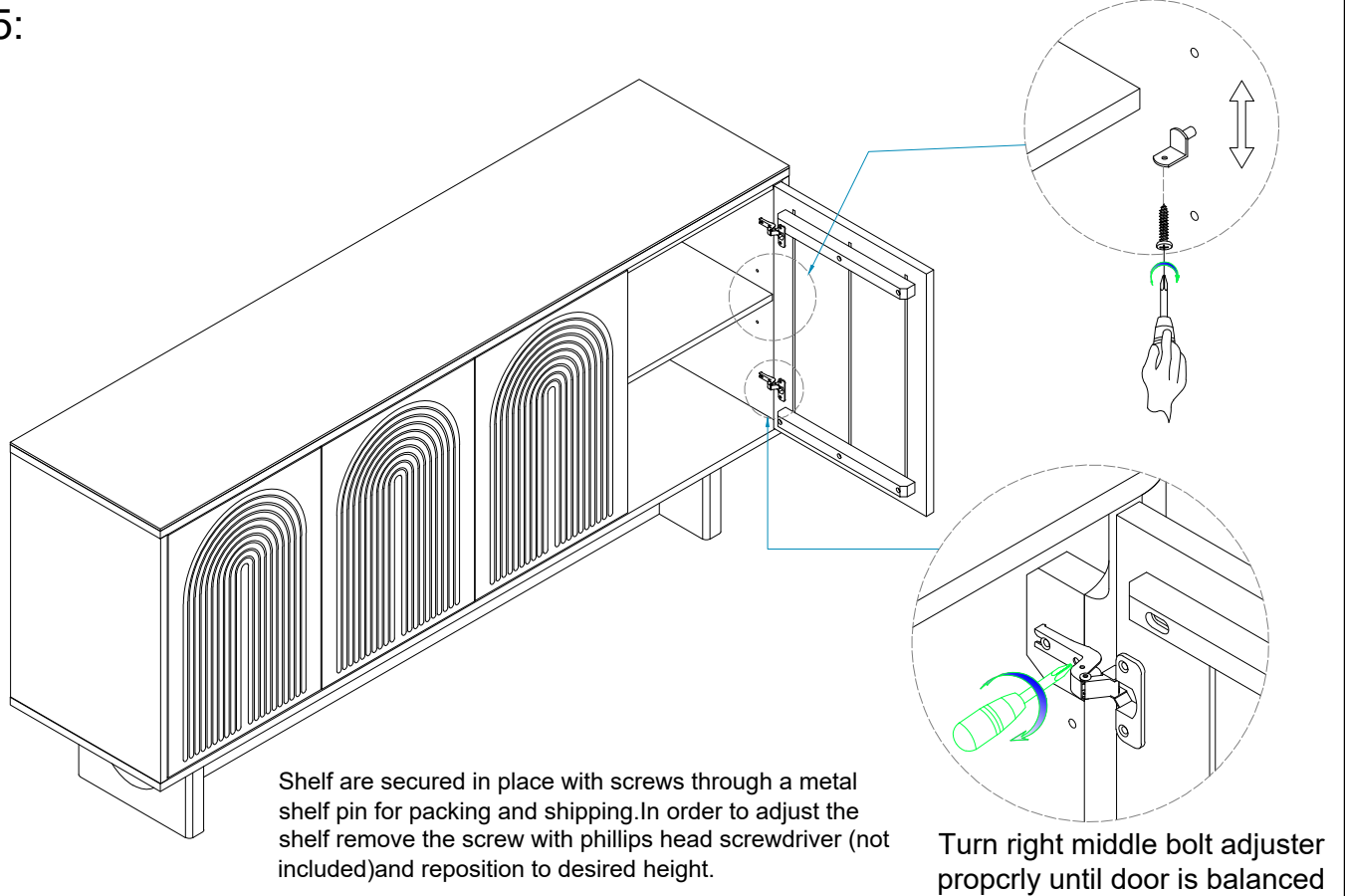


## STEP4:

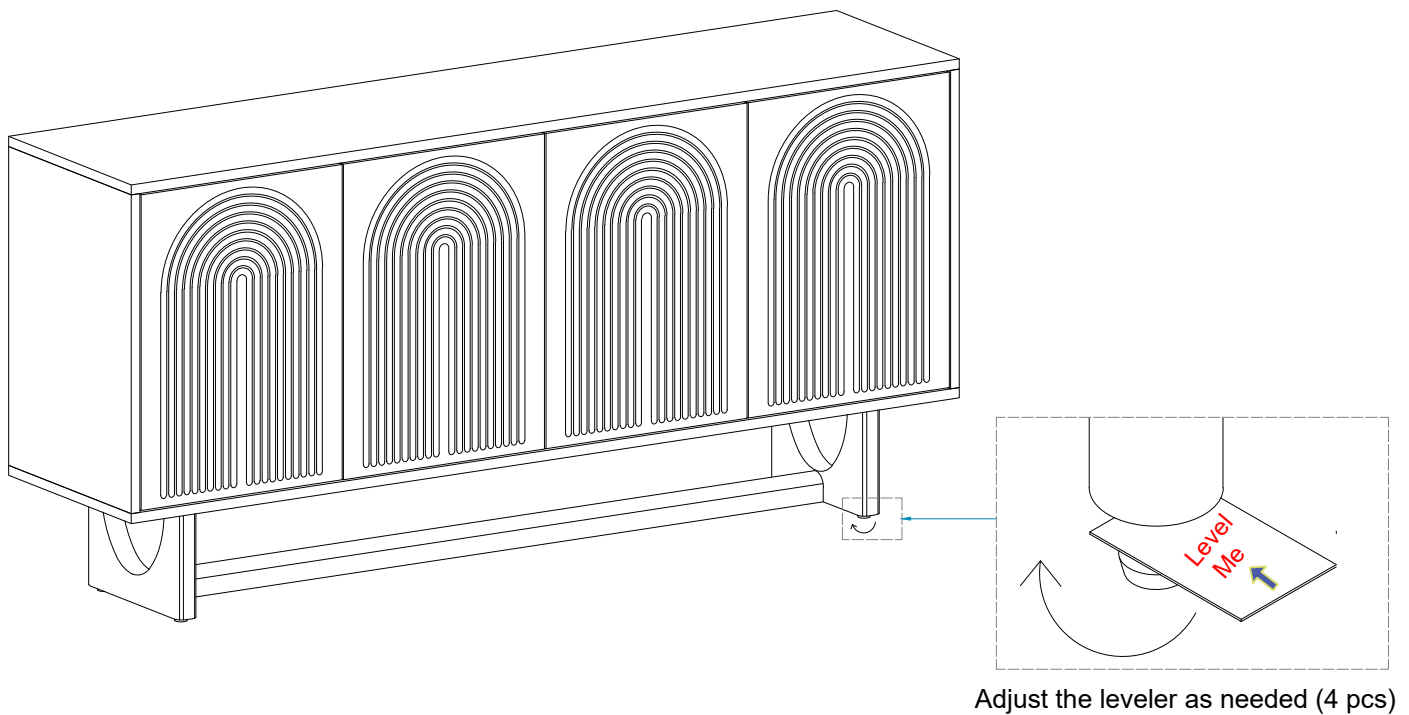


**Hardware Pack Location(s):** DHAR DLRTG24508 CARVED RAINBOW DOOR CREDENZA SKU# 26045080

## STEP5:



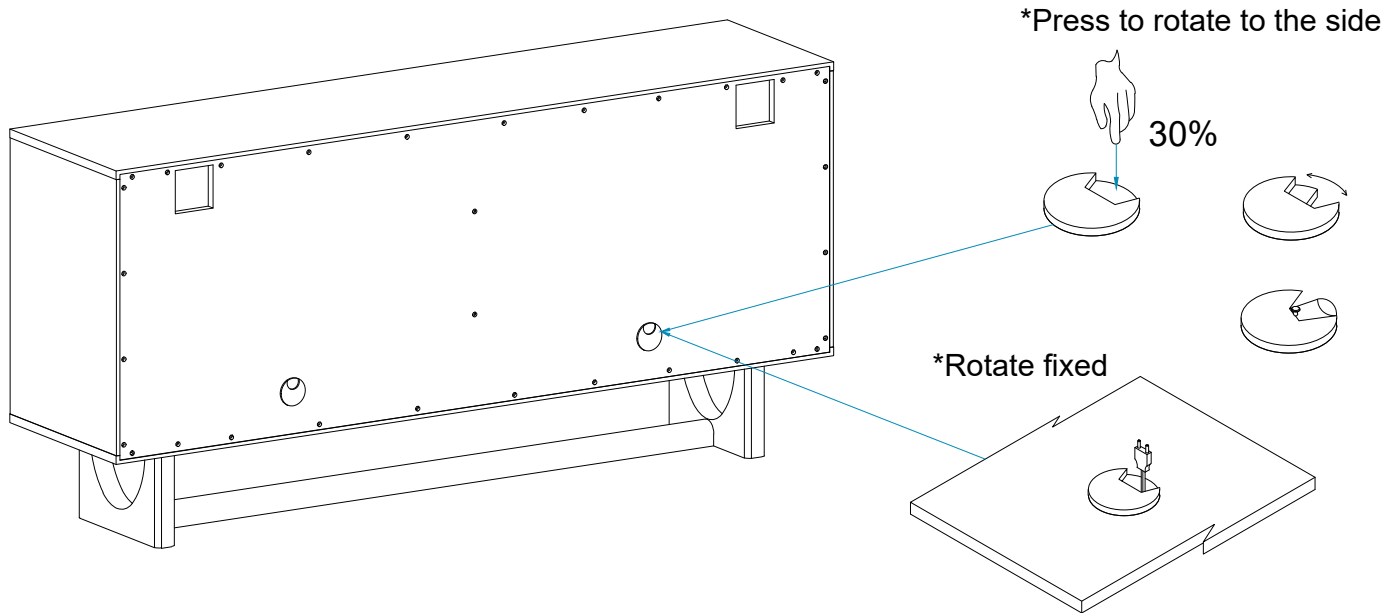
## STEP6:



## STEP7:

DEAR CUSTOMER.

Caution: Please read all instructions before assembly and check the carton for any parts that may have come loose during shipment. It is recommended to use two or more persons during the assembly process.



## STEP8:

