



Assembly Instructions

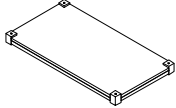
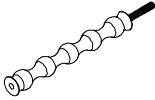


DHAR DL-SP01


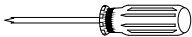
BOOKCASE

SKU# 26055017

Manufactured by DHAR for Rooms To Go

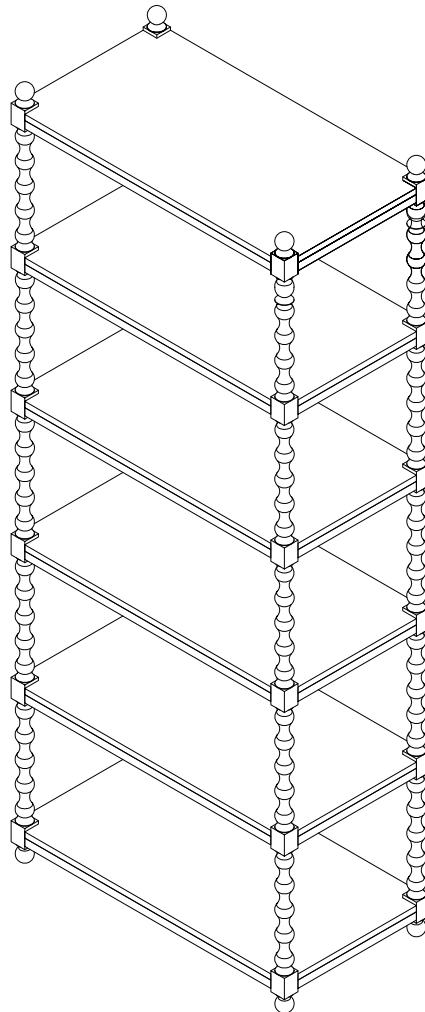
Version 01 – Date created: 2025/12/17

Step	Code	Parts List	Q'TY
1, 2, 3, 4, 5, 6	A	Shelf 	6PCS
1, 2, 3, 4, 5	B	Leg 	20PCS
6	C	Post Cap - Top 	4PCS
1	D	Post Cap - Bottom 	4PCS

Step	Code	Hardware List	Q'TY
7	a	Anti-tip kit 	2SETS
		 Phillip head screwdriver(not included)	

1. We recommend that you should assemble this product with the assistance of another person; this will make assembly easier and will eliminate damage to the product or injury to persons during assembly.
2. Please do not over tighten screws or bolts until assembly is complete.
3. Please put all parts on a non-abrasive floor before assembly, and follow assembly steps to assemble your newly purchased product correctly and efficiently.

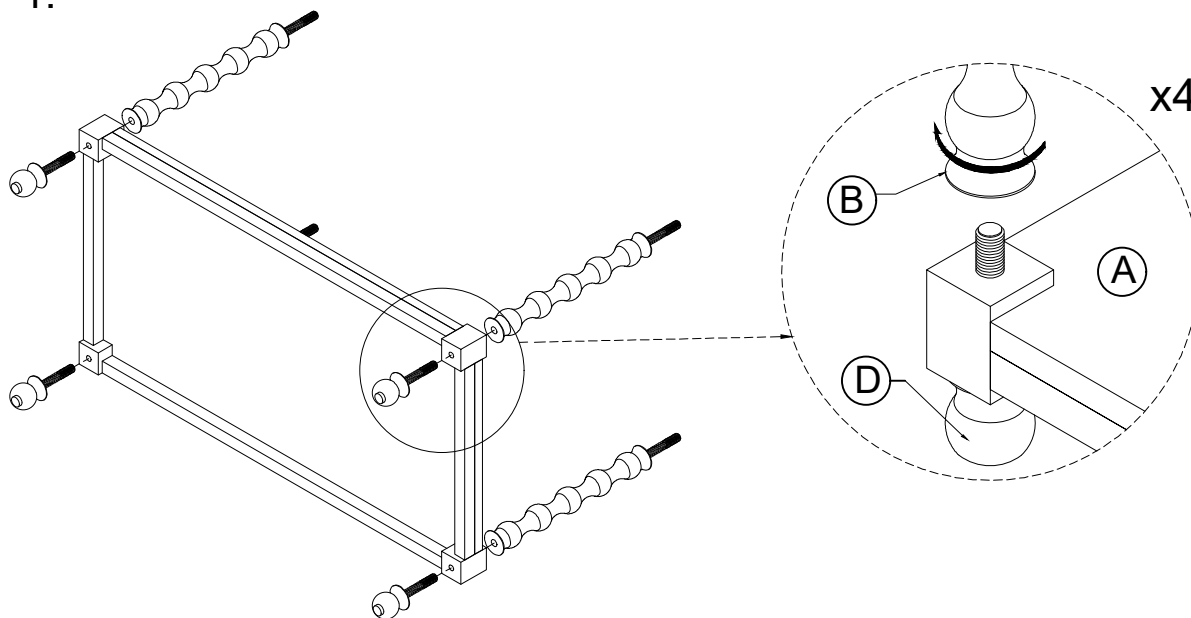
Completed



Hardware Pack Location(s): DHAR DL-SP01 BOOKCASE SKU#26055017

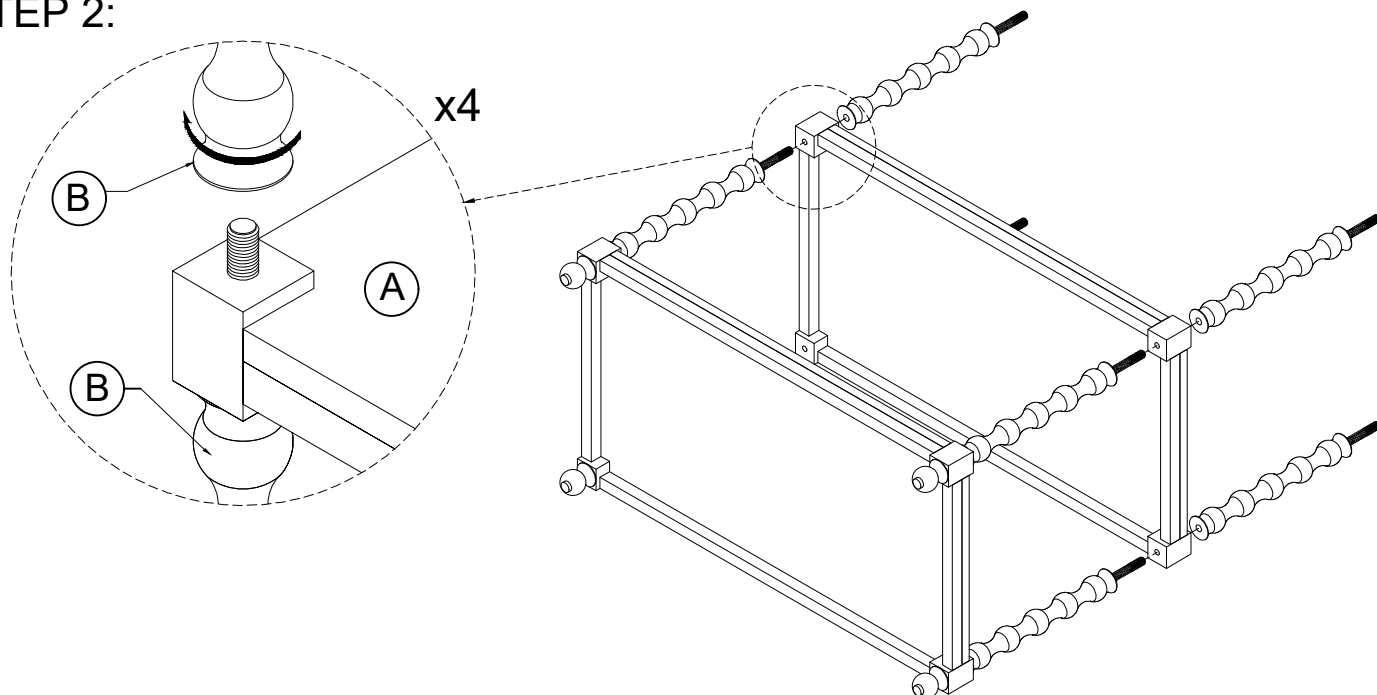
*** Caution: Please read all instructions carefully before starting the assembly process. These parts are cumbersome and heavy. Therefore, two people are recommended in order to prevent personal injury and ensure the parts are not damaged during the assembly.

STEP 1:



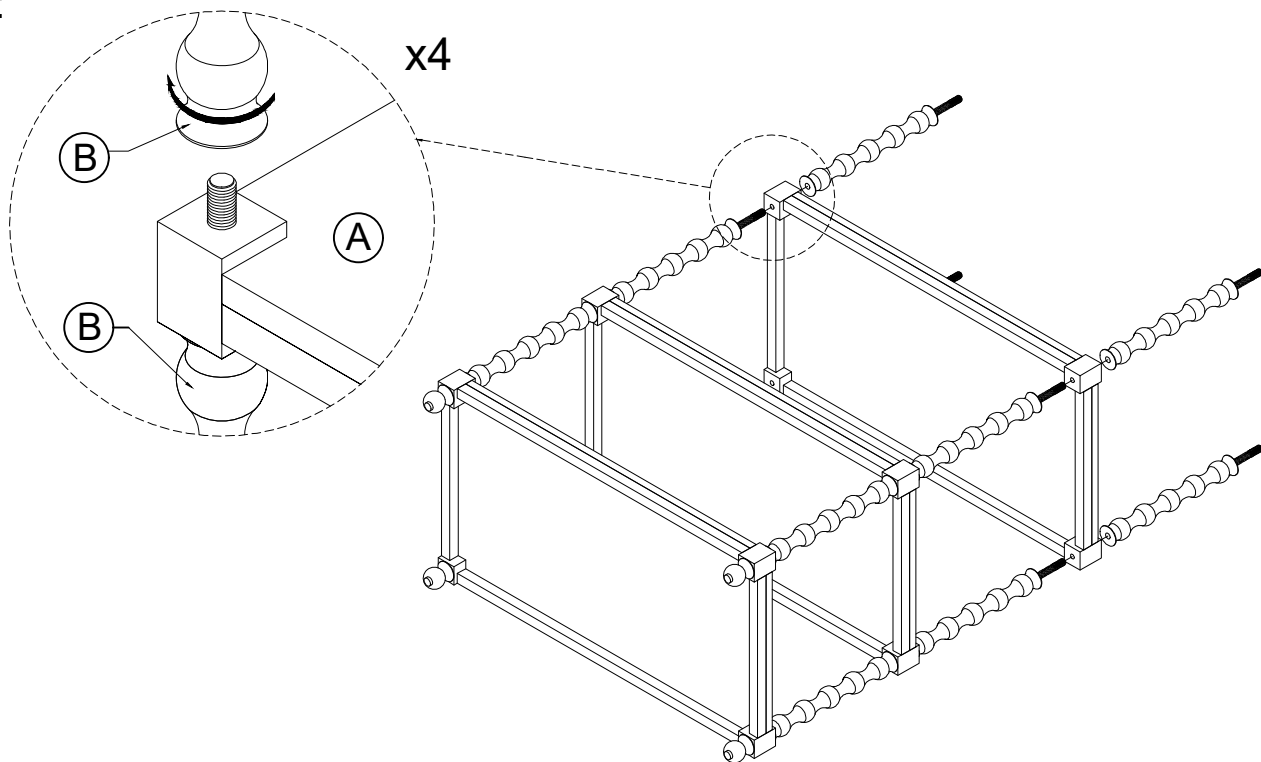
Push the threaded part of Post Cap - Bottom (D) through the hole in Shelf (A), place Leg (B) onto the thread of Post Cap - Bottom (D), and tighten clockwise.

STEP 2:



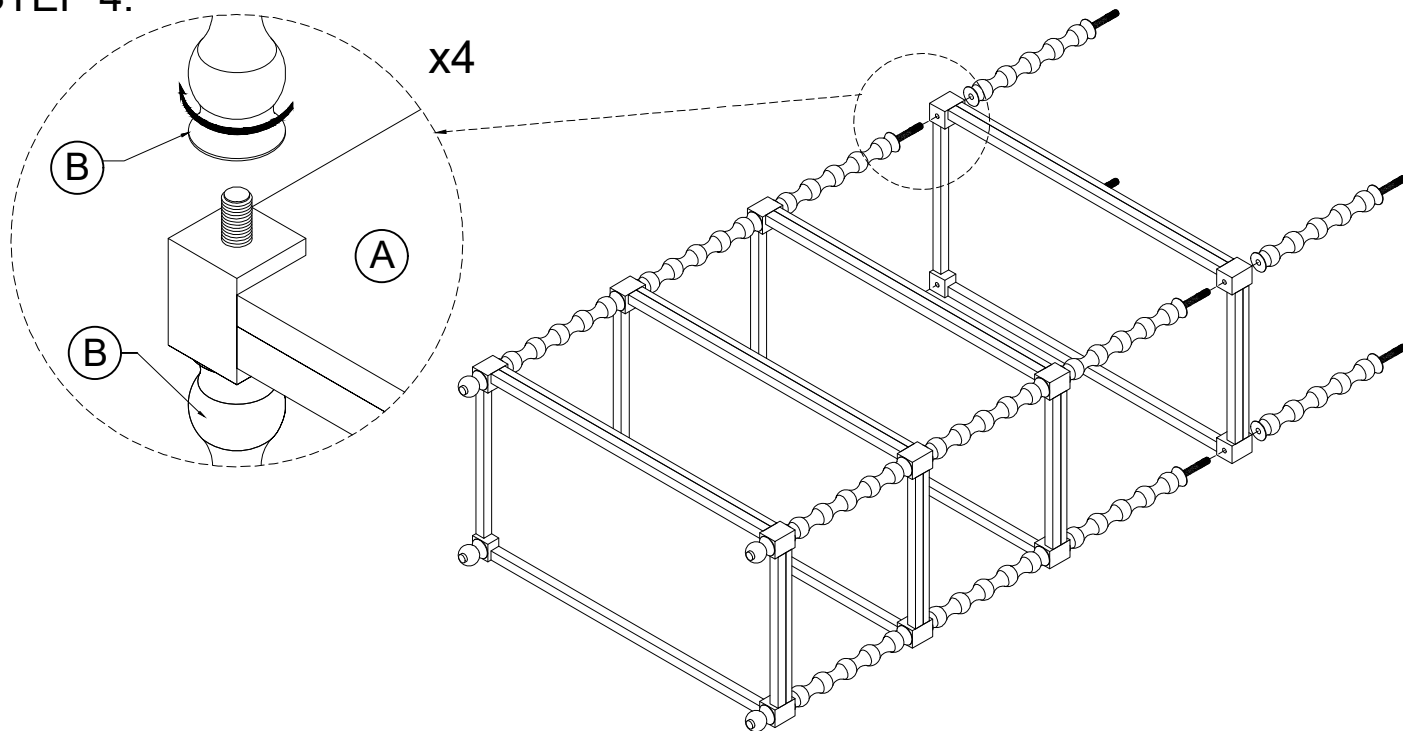
Push the threaded part of Leg (B) through the hole in Shelf (A), place Leg (B) onto the thread of Leg (B), and tighten clockwise.

STEP 3:



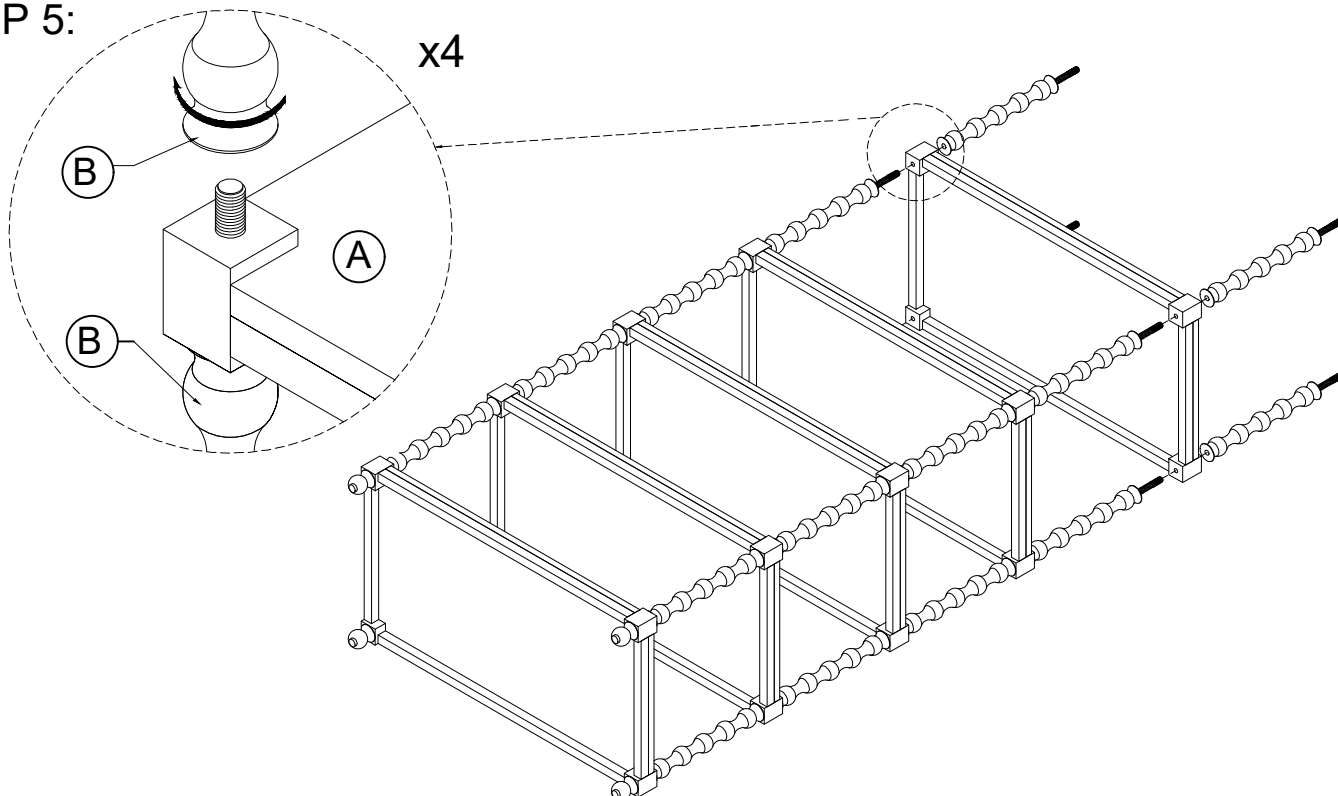
Push the threaded part of Leg (B) through the hole in Shelf (A), place Leg (B) onto the thread of Leg (B), and tighten clockwise.

STEP 4:



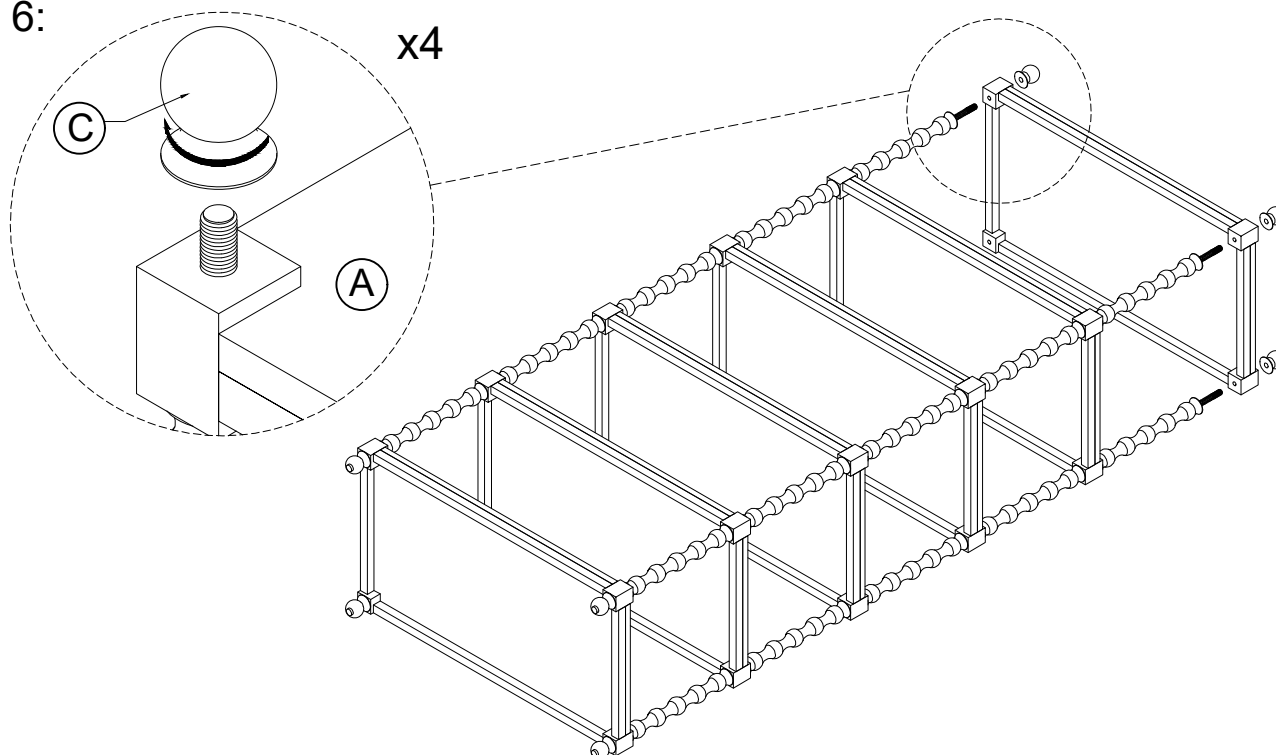
Push the threaded part of Leg (B) through the hole in Shelf (A), place Leg (B) onto the thread of Leg (B), and tighten clockwise.

STEP 5:



Push the threaded part of Leg (B) through the hole in Shelf (A), place Leg (B) onto the thread of Leg (B), and tighten clockwise.

STEP 6:



Push the threaded part of Leg (B) through the hole in Shelf (A), place Post Cap - Top (C) onto the thread of Leg (B), and tighten clockwise.

STEP 7:

Remark

Anti-tip hardware must be installed by customer.
Anti-tipping hardware attached to the back panel.

