









Assembly Instructions

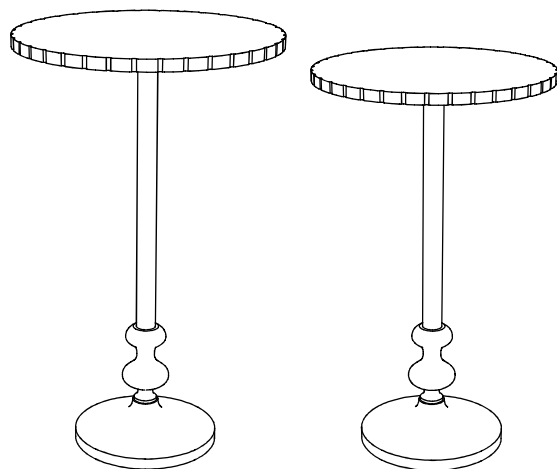
26060284 : END TABLE SMALL AND LARGE

Manufactured by Durga Brass Overseas (IACO) For Rooms To Go

SKU# 26060284

Step	Code	Parts	QTY
1.	A	Bottom Base 	2 Pcs
2.	B	Metal Knob 	2 Pcs
3.	C	Middle Pipe (Large Size) 	1 Pcs
4.	D	Middle Pipe (Small Size) 	1 Pcs
5.	E	Marble Top (Large Size) 	1 Pcs
6.	F	Marble Top (Small Size) 	1 Pcs

1. We recommend that you assemble this product with the assistance of another person as this will make assembly easier and will eliminate damage to the product or injury to persons during assembly.
2. Please put all parts on a non-abrasive floor before assembly and follow assembly steps to assemble your newly purchased product correctly and efficiently.



Hardware Pack Location(s): NO Hardware

END TABLE SMALL AND LARGE, SKU# 26060284



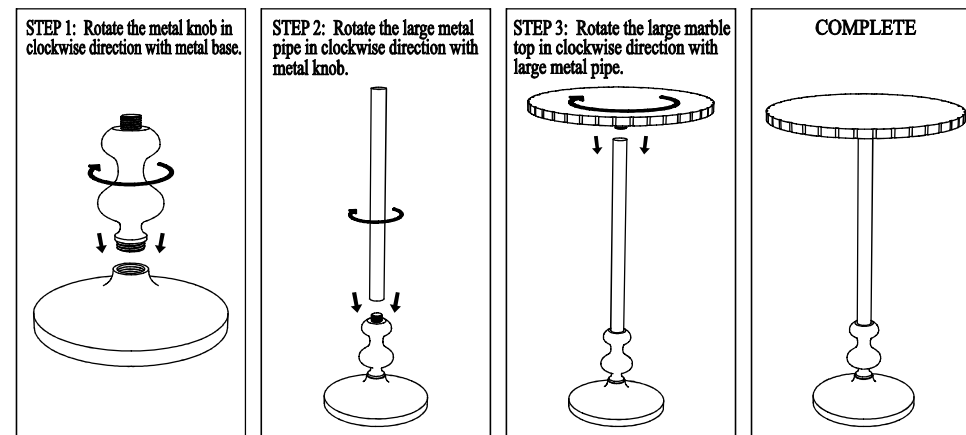
Assembly Instructions

26060284 : END TABLE SMALL AND LARGE

SKU# 26060284

*****Caution:** Please read all instructions carefully before starting the assembly. As pieces are heavy, it is recommended two people assemble in order to prevent personal injury and ensure the parts are not damaged during the assembly.

LARGE TABLE



SMALL TABLE

