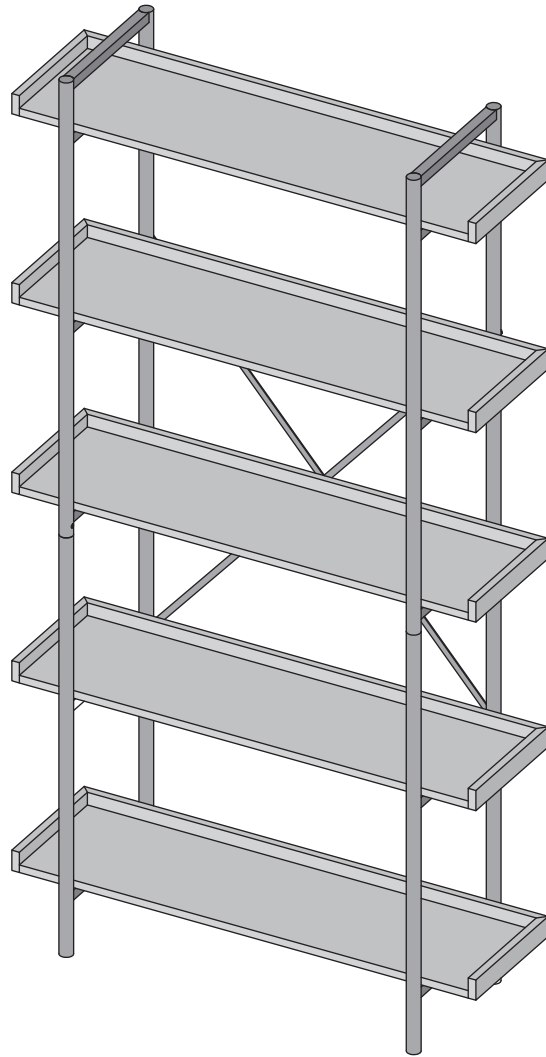




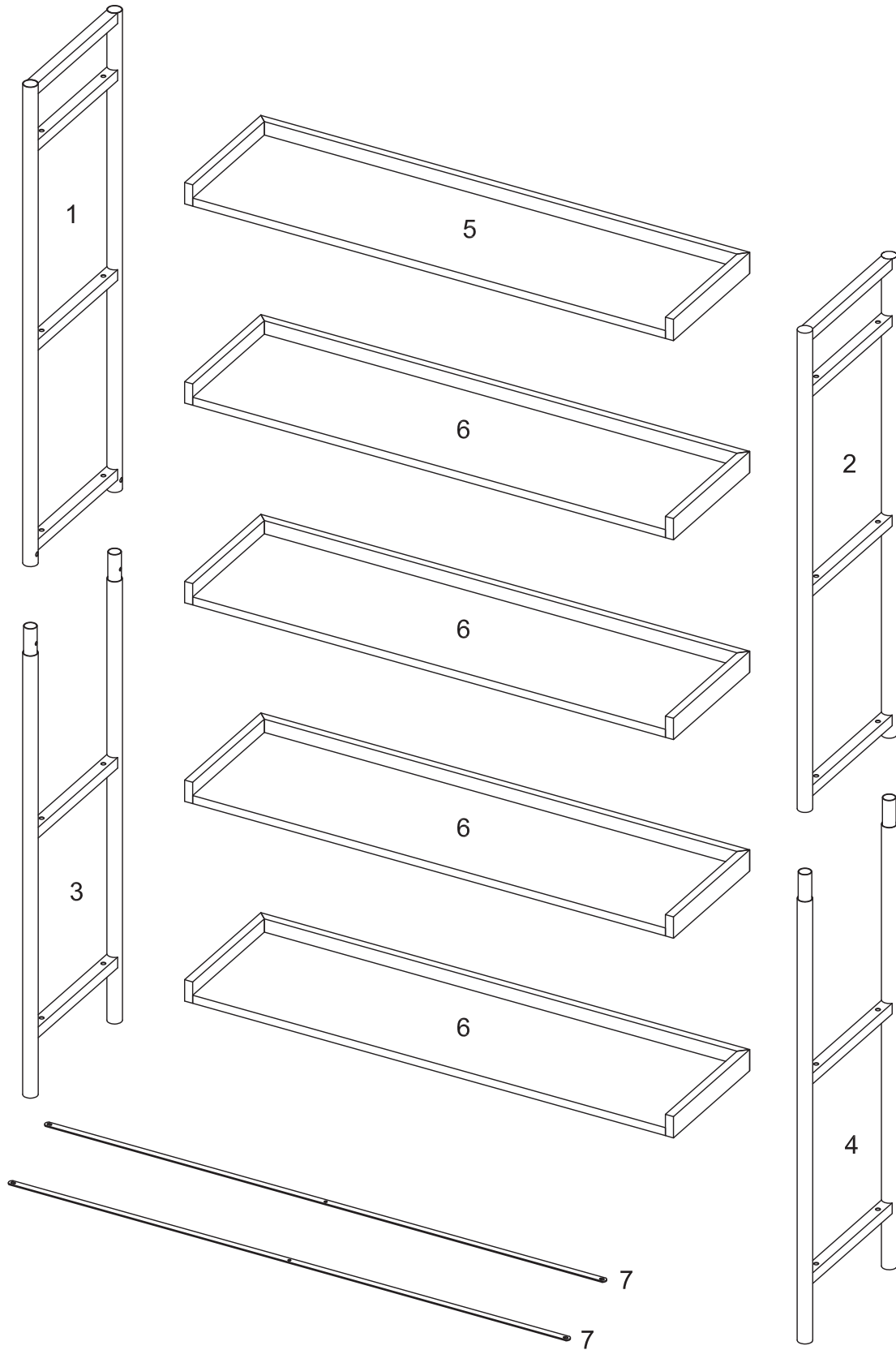
Item # : BS68UP  
Assembly Instructions




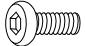
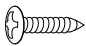





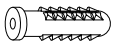


*For the most current instructions, additional assembly tips, to report damage or request parts, please visit our website at [www.walker-edison.com](http://www.walker-edison.com).*

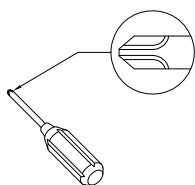
Revised 03/2017

# Parts List



# Hardware List

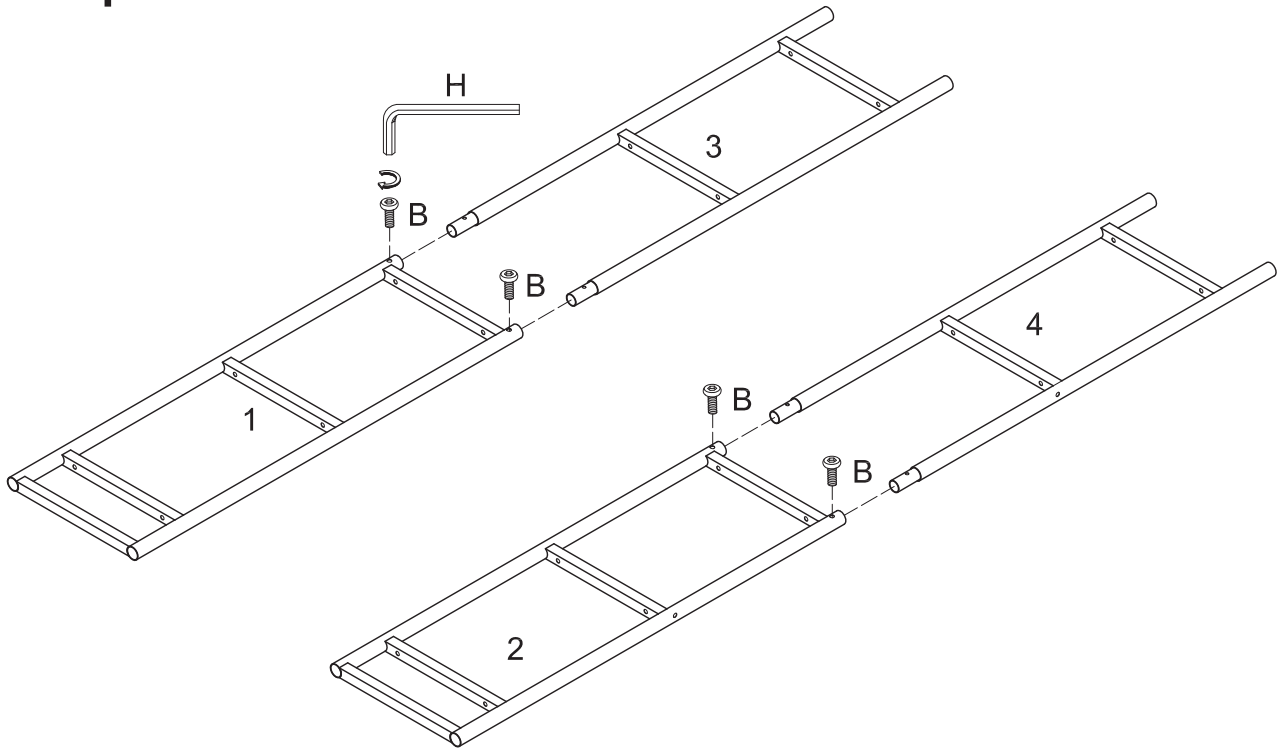
|   |   |               |                 |        |
|---|---|---------------|-----------------|--------|
| A |    | Ø1/4"*30mm    | Bolt            | 20 pcs |
| B |    | Ø1/4"*12mm    | Bolt            | 5 pcs  |
| C |    | Ø4*12mm       | Screw           | 4 pcs  |
| D |    | M4*10mm       | Bolt            | 1 pc   |
| E |    | M4mm          | Nut             | 1 pc   |
| F |    |               | L shape bracket | 1 pc   |
| G |   |               | Wrench          | 1 pc   |
| H |  | M4*55mm       | Wrench          | 1 pc   |
| I |  |               | Wall anchor     | 1 pc   |
| J |  | Ø4*30mm       | Screw           | 1 pc   |
| K |  | Ø16*6.5*1.0mm | Washer          | 1 pc   |



Philips head screwdriver required for assembly  
(not included)

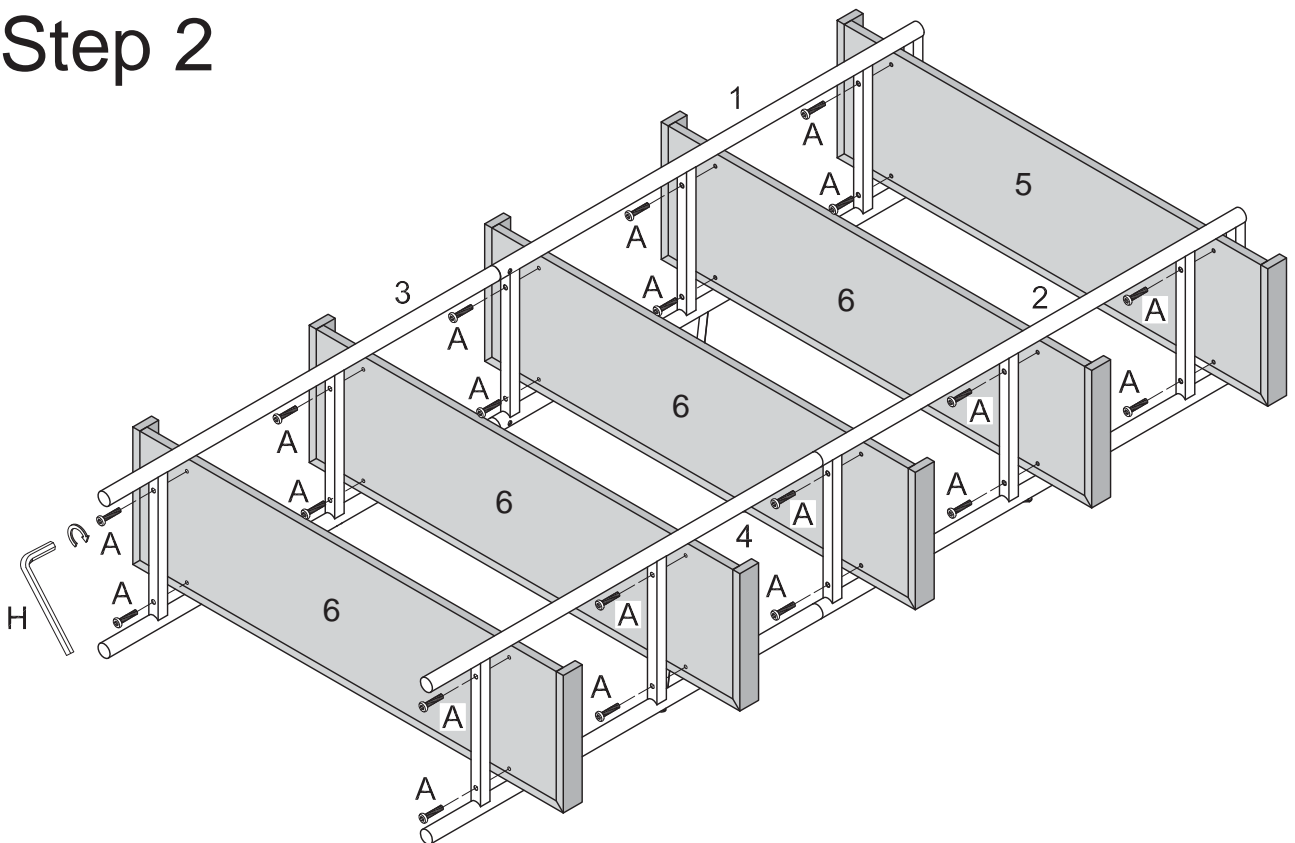
*The hardware quantities listed above are required for proper assembly.  
Some extra hardware may also have been included.*

# Step 1



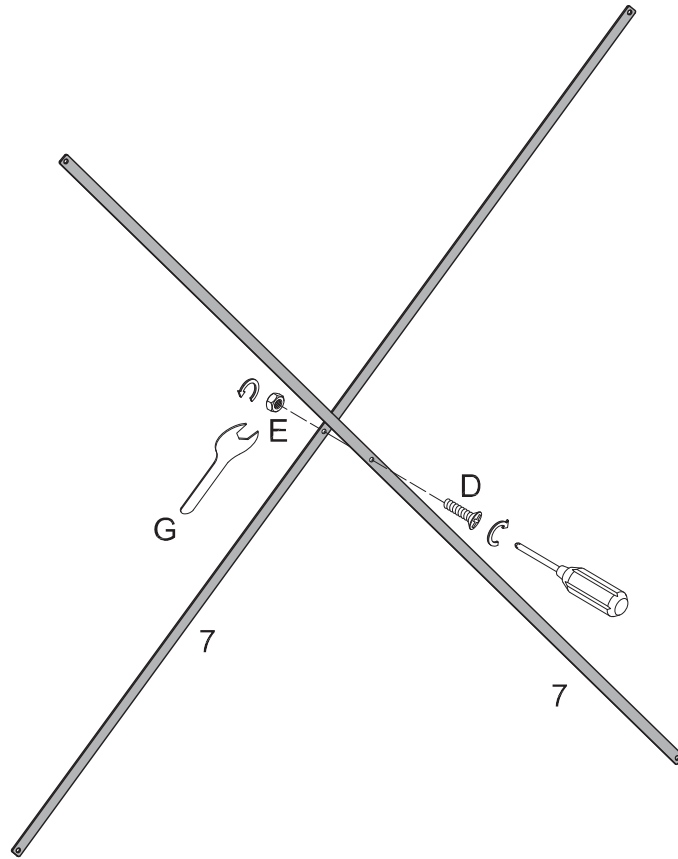
Insert the upper side frames (3)(2) into lower side frames (1)(4) and use wrench (H), bolt (B) to secure each side frame together.

# Step 2



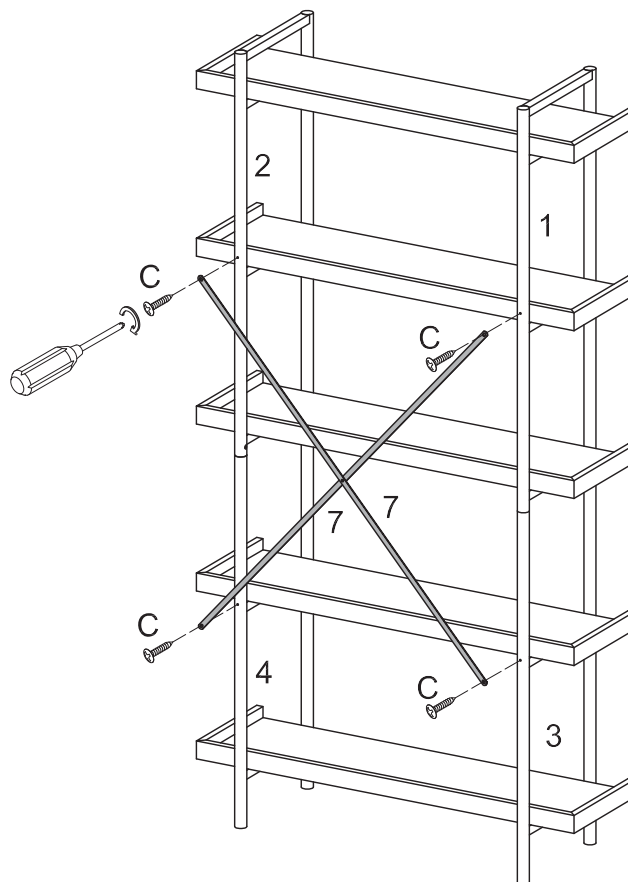
Place the shelf (5,6) as per diagram, and use wrench (H), bolt (A) to secure the side frame (1,2,3,4) to shelf (5,6).

## Step 3



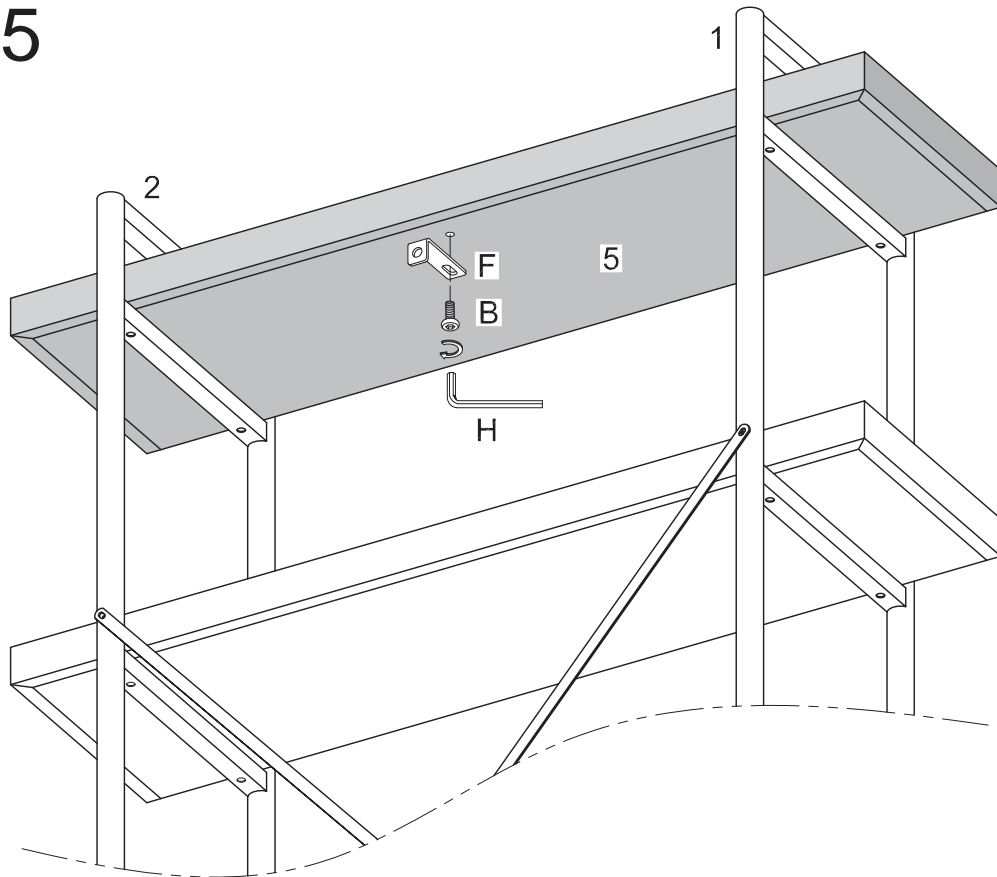
Secure bolt (D), and nut (E) by using wrench (G) to the cross bar (7).

## Step 4



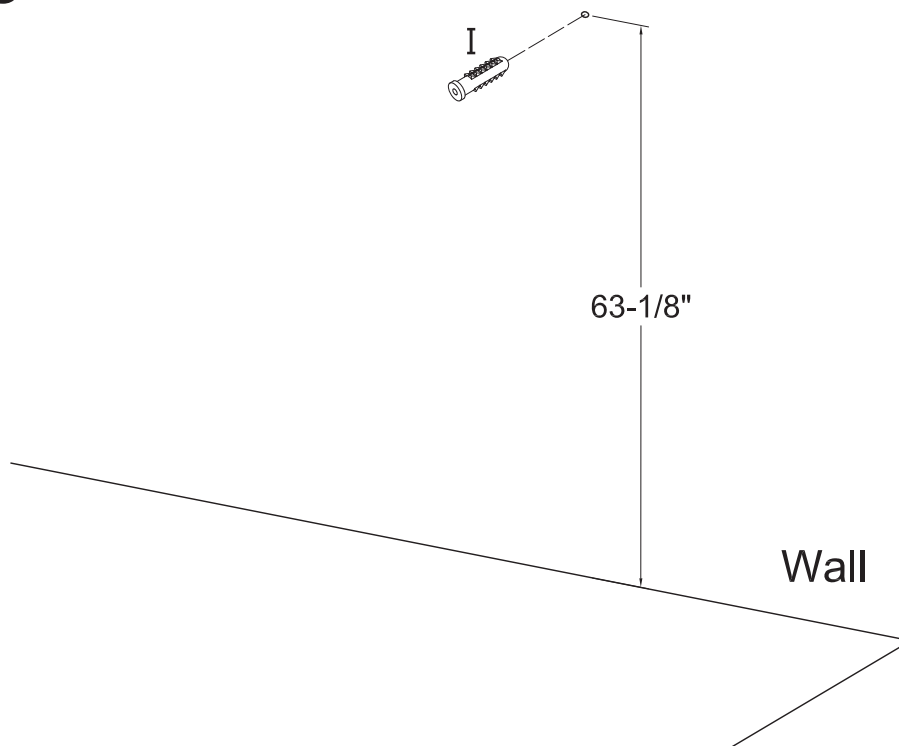
Secure screw (C), cross bar (7) to the back of the side frame (1,2,3,4).

## Step 5



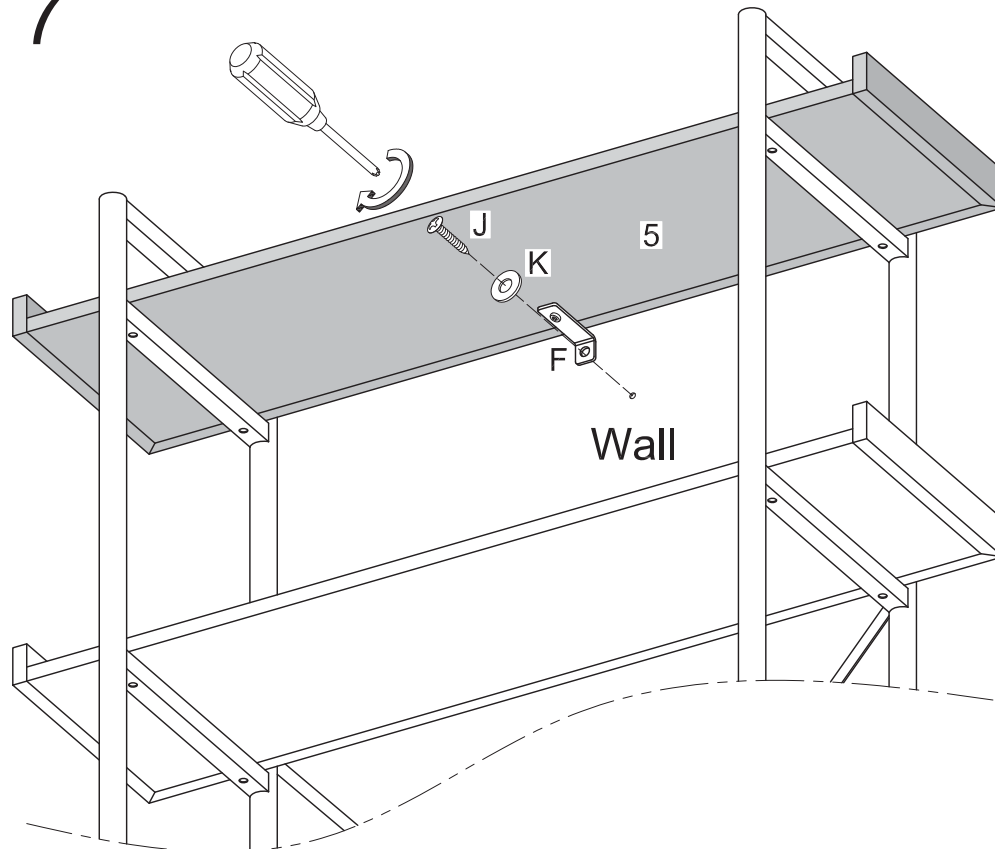
Use wrench (H), bolt (B) to secure the L shape bracket (F) to the shelf (5).

## Step 6



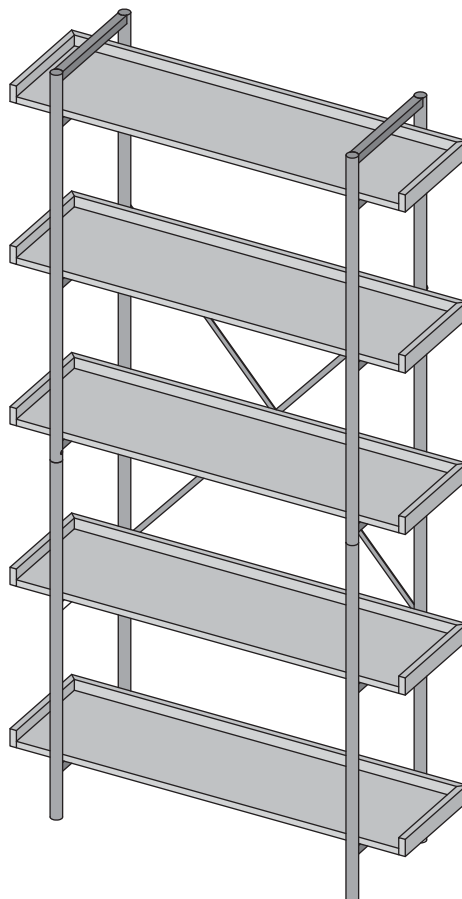
Insert the wall anchor (I) to the wall as per diagram.

## Step 7



Secure the screw (J), washer (K), and L shape bracket (F) to the wall as per diagram.

## Step 8



### Final Assembly