

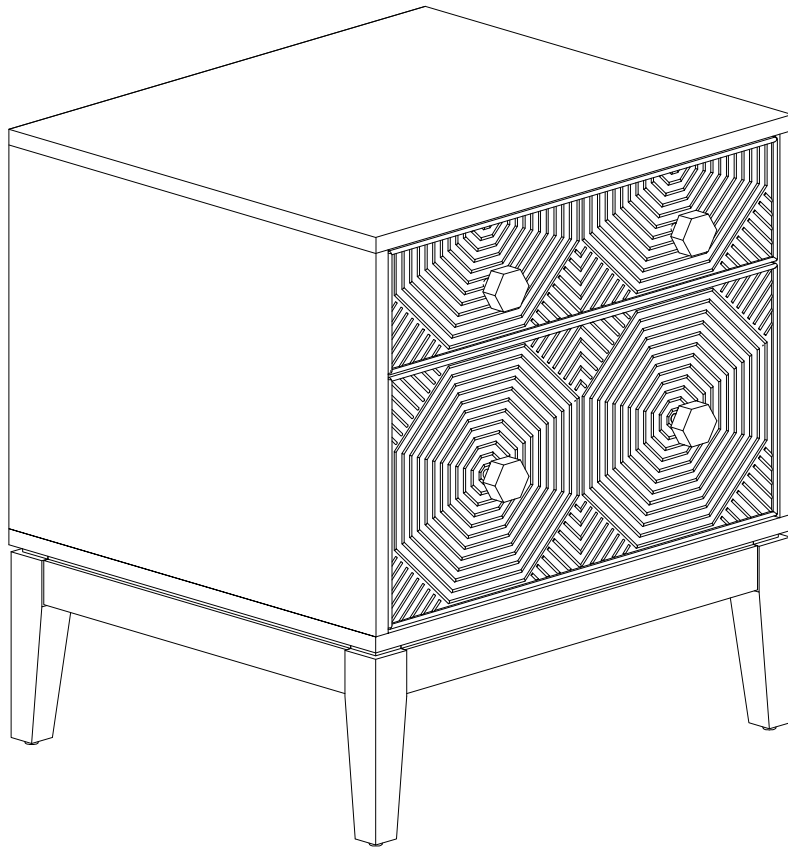


**Mila Lacquer Side Table**  
**TOV-OC4103**

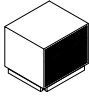
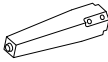
# MILA

---

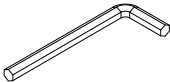
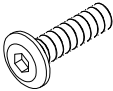


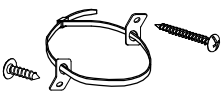
## ASSEMBLY INSTRUCTIONS



## PARTS LIST

LABEL	PICTURE	DESCRIPTION	QTY
<b>A</b>		<b>BODY</b>	<b>1</b>
<b>B</b>		<b>LEG</b>	<b>4</b>

## HARDWARE

LABEL	PICTURE	DESCRIPTION	QTY
<b>C</b>		<b>Allen Key</b>	<b>1</b>
<b>D</b>		<b>Screw</b>	<b>8</b>
<b>E</b>		<b>Spring Washer</b>	<b>8</b>
<b>F</b>		<b>Flat Washer</b>	<b>8</b>
<b>G</b>		<b>Furniture Tipping Restraint</b>	<b>2</b>

### BEFORE BEGINNING ASSEMBLY:



*Read instructions cover to cover*



*Have two adults on hand for assembly*



*Do NOT assemble on flooring or carpet. Assemble on a clean non-marring surface (ex: packing foam)*

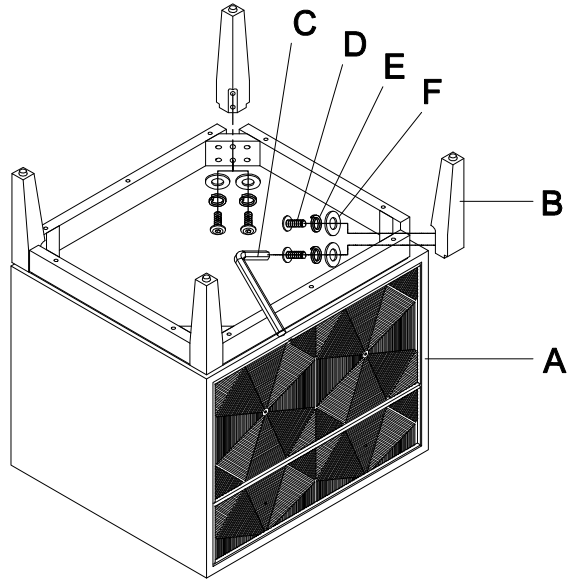


*Save all packaging until assembly is completed*

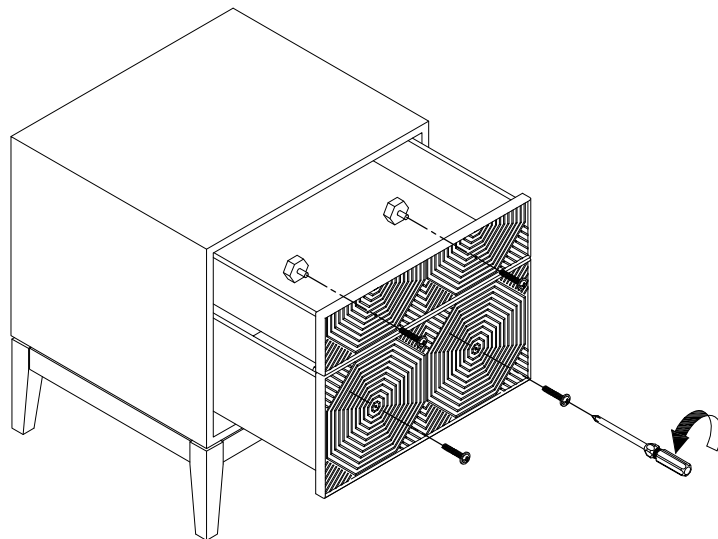
*Need a part? Call TOV at 516-888-3355 or email [service@tovfurniture.com](mailto:service@tovfurniture.com)*

# ASSEMBLY STEPS

## STEP 1

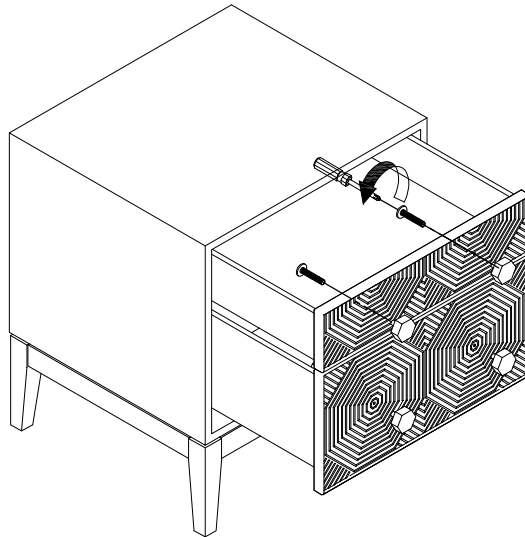


## STEP 2

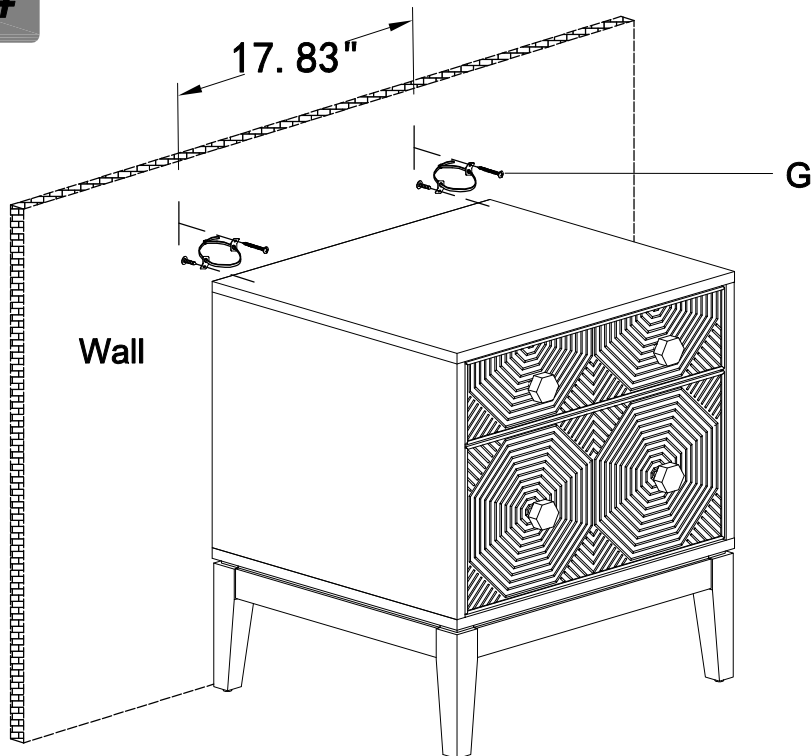


# ASSEMBLY STEPS

## STEP 3



## STEP 4



---

## CARE & MAINTENANCE

---



**Do not put hot items directly on furniture surface.**



**Do not clean furniture with harsh cleansers or polish.**



**Dust and wipe up spills using a clean, non-colored, lint-free cloth.**



**Stains may be removed with mild soap solution and damp cloth.**



**Do not place furniture under direct sunlight.**



**Do not place furniture near heating or cooling vents.**



**Do not write on furniture without a padded barrier to protect the surface.**



**Do not place furniture outside. For indoor use only.**