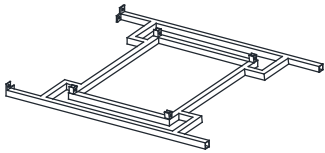


# ASSEMBLY INSTRUCTION

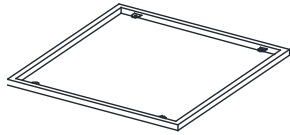
## E836A SIDE TABLE WITH MIRROR BOTTOM AND GLASS SHELF AND TOP

**A** Side Panel



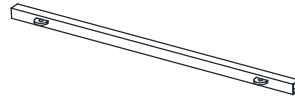
2pcs

**B** Top Frame



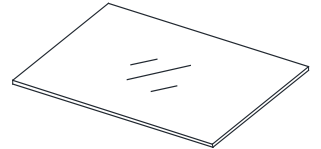
1pc

**C** Stretcher



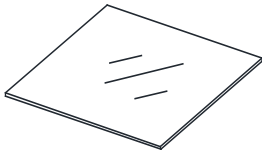
4pcs

**D** Top Glass



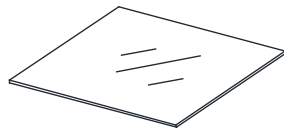
1pc

**E** Shelf Glass



1pc

**F** Shelf Mirror



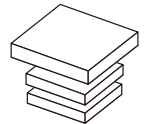
1pc

**G** Pad  
8mm



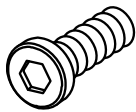
12pcs

**H** End Cap  
16 X16mm



4pcs

**I** Bolt  
1/4" X 1/2"

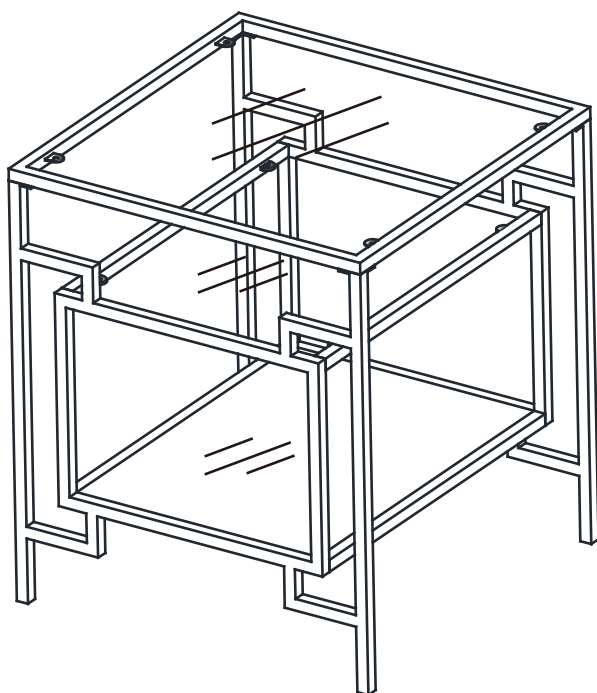


16pcs

**J** Allen Wrench  
1/4"



1pc

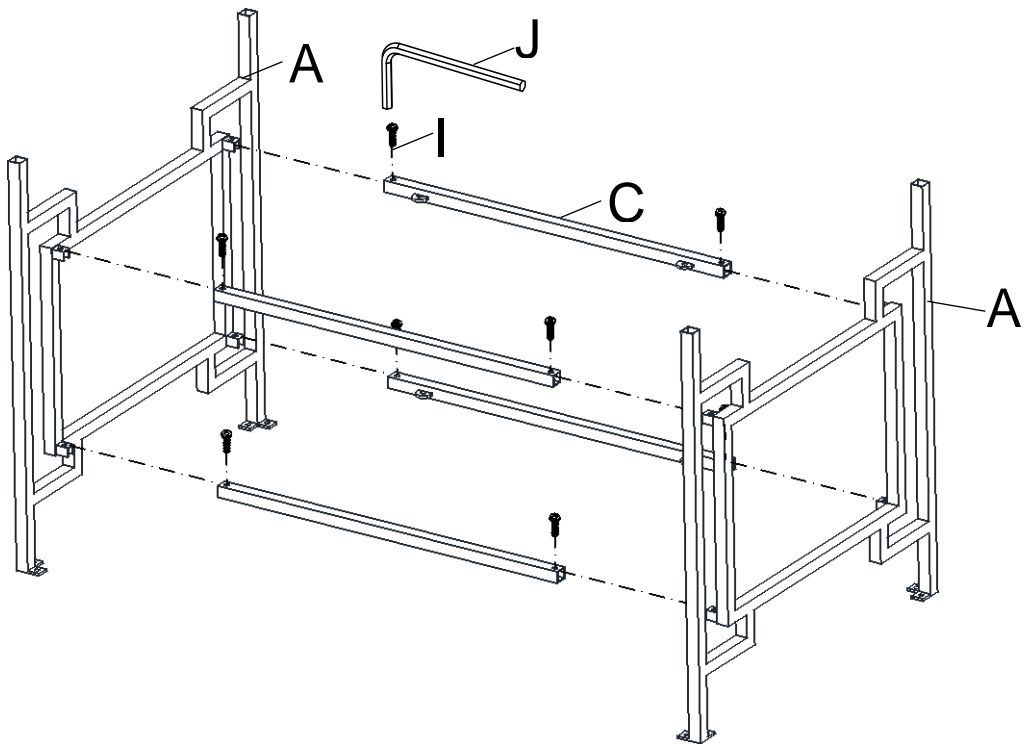


This page lists all the contents included in the box. Please take the time to identify the hardware as well as the individual components to this product. As you unpack and prepare for assembly, place the contents on a carpeted or padded area to protect them from damage.

**\*\*\* Do not tighten screws & bolts until the entire unit is completely assembled.**

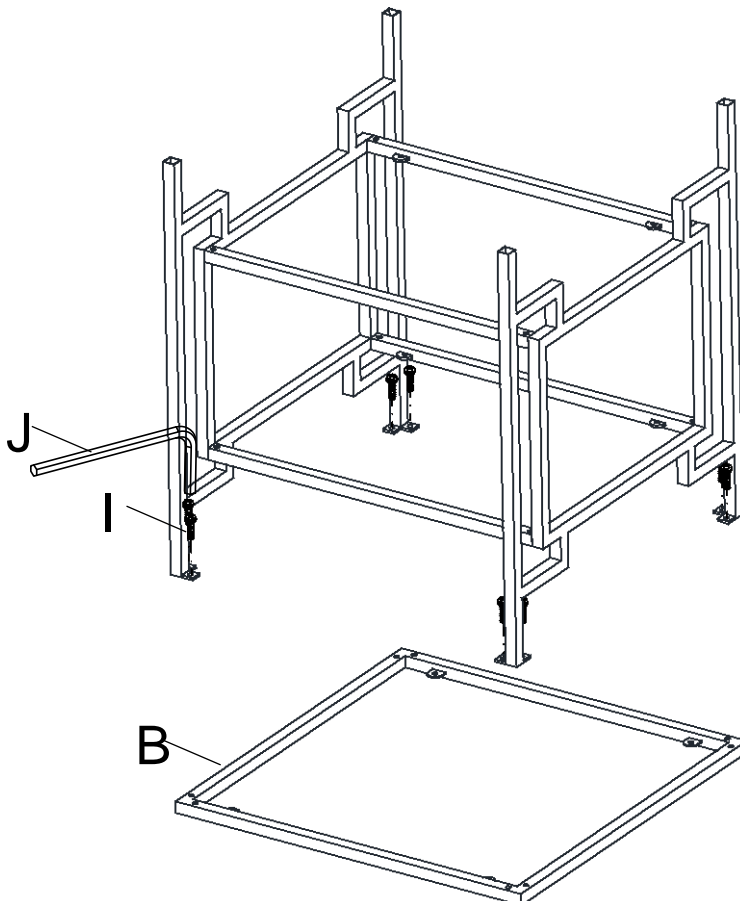
**1**

Attach Stretcher (C) to Side Panel (A) by Bolt (I) and Allen Wrench (J) as shown.



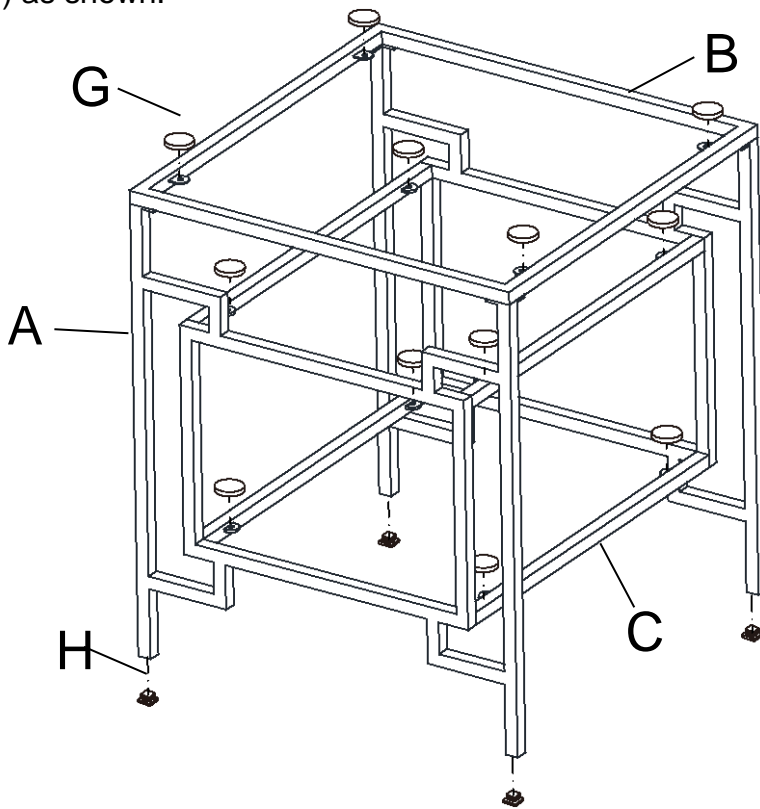
**2**

Attach assembled unit to Top Frame (B) by Bolt (I) and Allen Wrench (J) as shown.

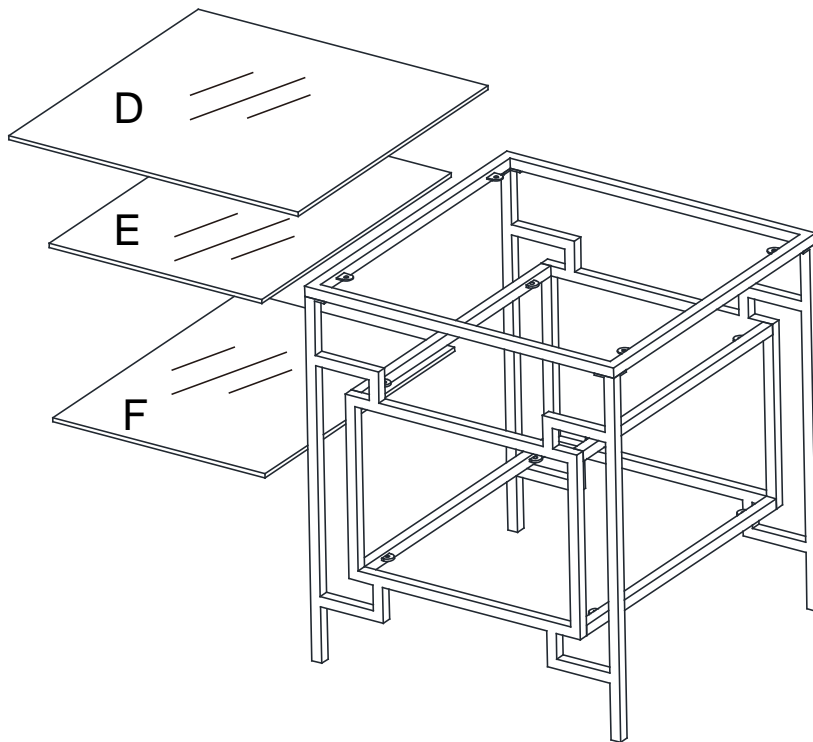


**3**

Attach End Cap (H) to the bottom of Side Panel (A). Then attach Pad (G) to Top Frame (B) and Stretcher (C) as shown.

**4**

Place Top Glass (D), Shelf Glass (E) and Shelf Mirror (F) as shown.



### Cleaning & Care

Treat surface with care. Surface is resistant to scratches but is not scratch resistant. Clean surfaces with a dry or damp soft cloth. Do not use abrasive cleaners. Hardware may loosen over time. Periodically check that all connections are tight.