

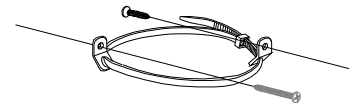
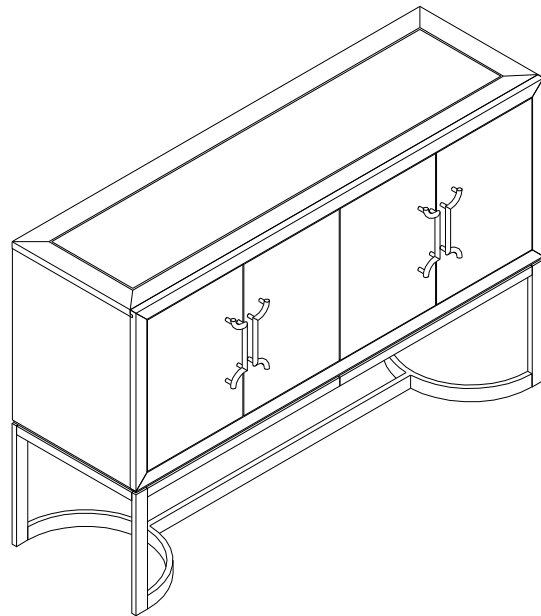


## PARTS LIST / LISTE DES PIÈCES / LISTA DE PIEZAS

ITEM NO. / ARTICLE NO. / ARTICULONO: D199-103

DESCRIPTION / DESCRIPCIÓN: CONSOLE / CONSOLE / CONSOLA

<b>WARNING</b>	
	<p>Serious or fatal crushing injuries can occur from furniture tip-over. To help prevent tip-over:</p> <ul style="list-style-type: none"><li>• Install tipover restraint provided.</li><li>• Place heaviest items in the lowest drawers.</li><li>• Do not set TVs or other heavy objects on top of this product, unless the product is specifically designed to accommodate them.</li><li>• Never allow children to climb or hang on drawers, doors, or shelves.</li><li>• Never open more than one drawer at a time. (CR)</li><li>• Do not defeat or remove the drawer interlock system.</li></ul> <p>Use of tip-over restraints may only reduce, but not eliminate, the risk of tip-over.</p> <p>This is a permanent label. Do not remove!</p>



**A**

x1 Furniture Tipping Restraint  
x1 Systeme antibasculement  
x1 Control para evitar vulcos

\* Replaceable Part



# ASSEMBLY INSTRUCTION / NOTICE DE MONTAGE / INSTRUCCIONES DE MONTAJE

ITEM NO. / ARTICLE NO. / ARTICULONO: D199-103

DESCRIPTION / DESCRIPCIÓN: CONSOLE / CONSOLE / CONSOLA

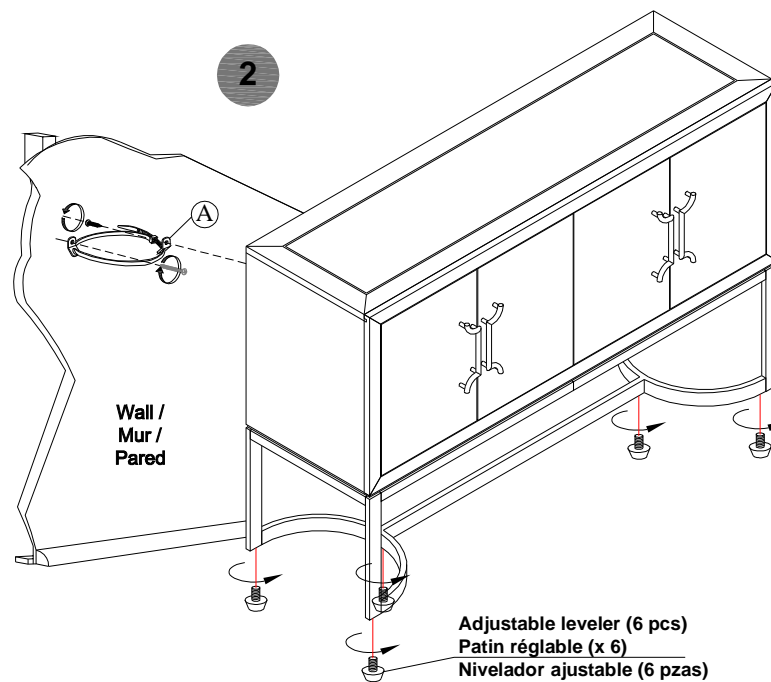
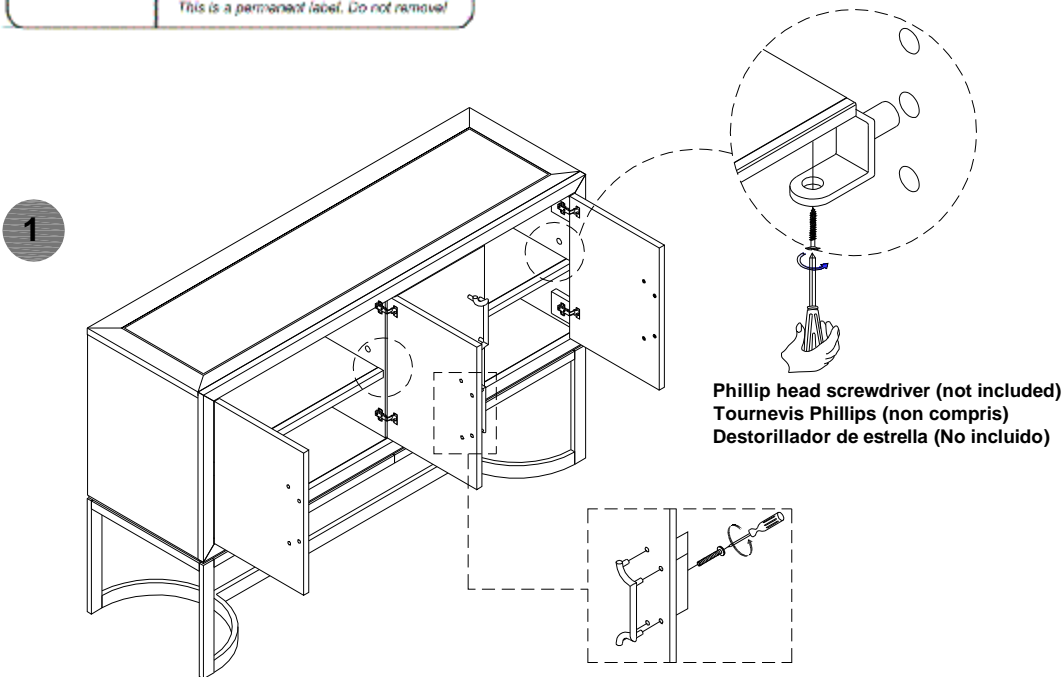
**WARNING**

Serious or fatal crushing injuries can occur from furniture tip-over. To help prevent tip-over:

- Install tipover restraint provided.
- Place heaviest items in the lowest drawers.
- Do not set TVs or other heavy objects on top of this product, unless the product is specifically designed to accommodate them.
- Never allow children to climb or hang on drawers, doors, or shelves.
- Never open more than one drawer at a time. (CR)
- Do not defeat or remove the drawer interlock system.

Use of tip-over restraints may only reduce, but not eliminate, the risk of tip-over.

This is a permanent label. Do not remove!



\* Replaceable Part



**REPLACEABLE PART / PARTIE REMPLAÇABLE / PARTE REEMPLAZABLE**

ITEM NO. / ARTICLE NO. / ARTICULONO: D199-103

DESCRIPTION / DESCRIPCIÓN: CONSOLE / CONSOLE / CONSOLA

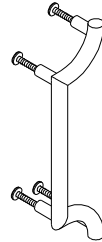
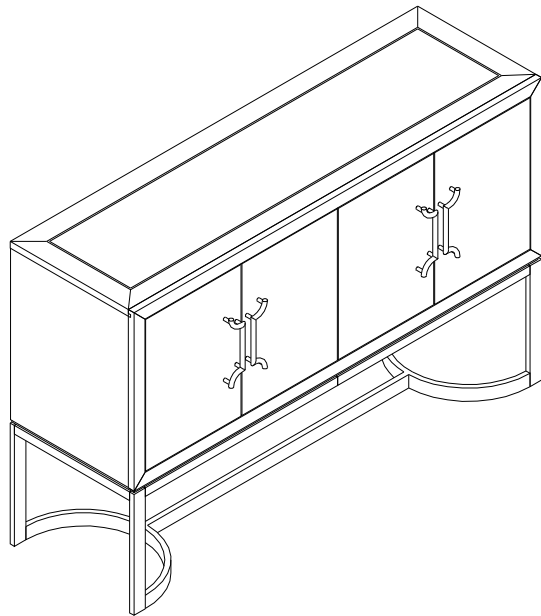
**WARNING**

Serious or fatal crushing injuries can occur from furniture tip-over. To help prevent tip-over:

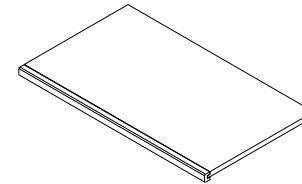
- Install tipover restraint provided.
- Place heaviest items in the lowest drawers.
- Do not set TVs or other heavy objects on top of this product, unless the product is specifically designed to accommodate them.
- Never allow children to climb or hang on drawers, doors, or shelves.
- Never open more than one drawer at a time. (CR)
- Do not defeat or remove the drawer interlock system.

Use of tip-over restraints may only reduce, but not eliminate, the risk of tip-over.

This is a permanent label. Do not remove!

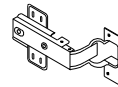
x4 RD199-103-PULL-Pull with Screw \*  
Poignée + Vis  
Tirador + Tornillo



x2 RD199-103-SHELF-Shelf \*  
Étagère  
Repisa/ Estante



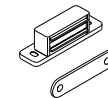
x8 RD199-103-PIN-Shelf Pin \*  
Supports Pour Tablette  
Soporte De Las Repisas



x8 RD199-103-HINGE-Door Hinge \*  
Charnière de porte  
Bisagra de la puerta



x4 RC-FG-BROWN-Brown Leveler \*  
Patin réglable  
Nivelador



x4 RD199-103-CATCH-Door Catch \*  
Catch de aimant  
Captura de imán

\* Replaceable Part