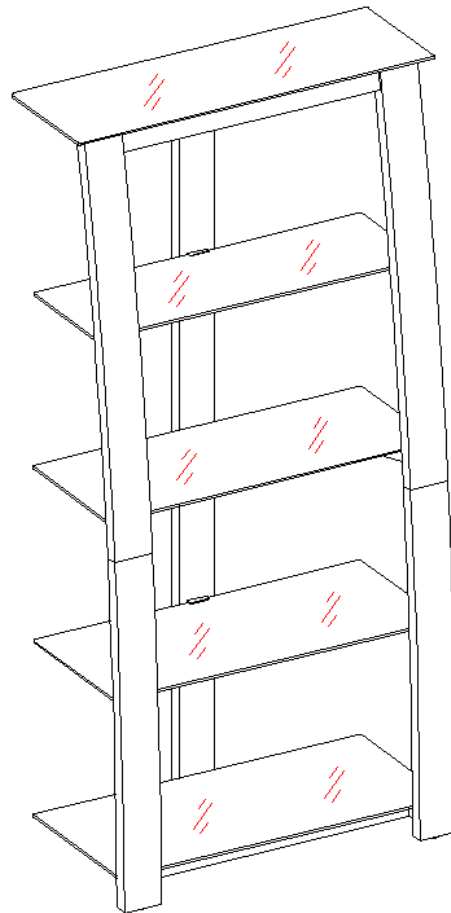




LOT NUMBER: \_\_\_\_\_  
DATE PURCHASED: \_\_/\_\_/\_\_

## Zeta 30 x 60 Bookcase Model # ZT3060BK



**ADULT ASSEMBLY REQUIRED DUE TO THE PRESENCE OF SMALL PARTS, SHARP POINTS, SHARP EDGES AS RECEIVED**

If you have any questions regarding assembly or parts are missing, DO NOT return this item to the store where it was purchased. Please call our toll-free customer service number and have your instructions and parts list ready to provide the model name, part name or factory number:

**1-866-942-5362**

Pacific Standard Time: 8:30 a.m. - 4:30 p.m., Monday to Friday

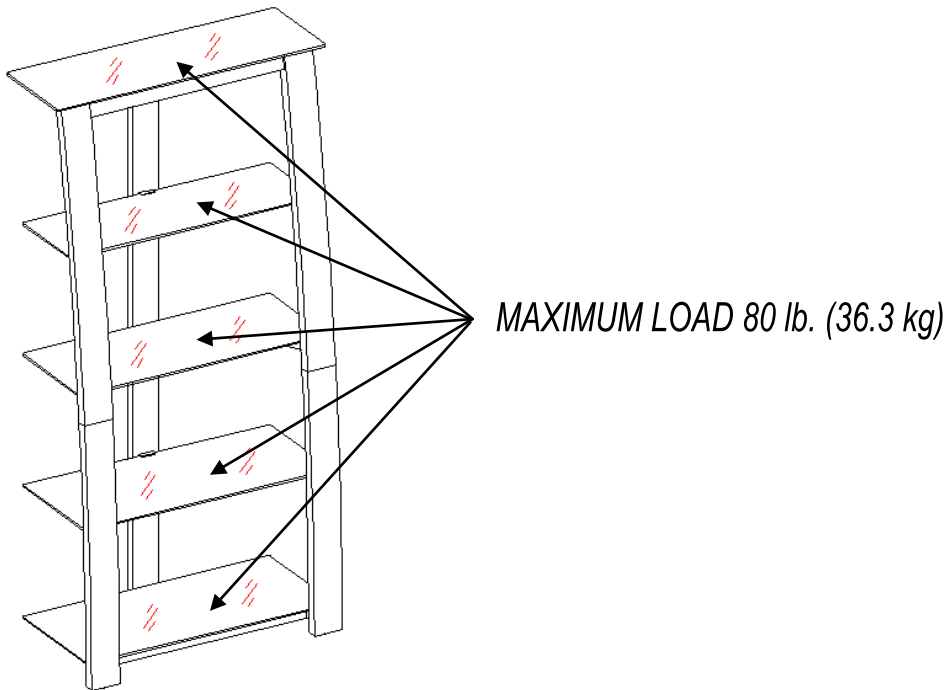
Or visit our web site [www.goldenoak.com](http://www.goldenoak.com)

Or e-mail your request to [parts@whalenfurniture.com](mailto:parts@whalenfurniture.com)

**THIS INSTRUCTION BOOKLET CONTAINS IMPORTANT SAFETY INFORMATION.  
PLEASE READ AND KEEP FOR FUTURE REFERENCE.**

## MAXIMUM RECOMMENDED WEIGHT LOADS

MANUFACTURER: Golden Oak Furniture  
CATALOG: Zeta 30 x 60 Bookcase (ZT3060BK)  
DATE OF MANUFACTURE: September 2011  
MADE IN CHINA



**⚠ WARNING** THIS UNIT IS INTENDED ONLY FOR USE WITHIN THE MAXIMUM WEIGHTS INDICATED. USE WITH PRODUCTS HEAVIER THAN THE MAXIMUM WEIGHTS INDICATED MAY RESULT IN INSTABILITY CAUSING POSSIBLE INJURY.

### ASSEMBLY TIPS

Read all instructions BEFORE assembly.

Remove all hardware from box and sort by size.

Check to see that all hardware and parts are present BEFORE assembling.

Ask a friend to assist you with the assembly of this furniture.

To avoid damage, assemble the unit on a sturdy, level and non-abrasive surface.

Please wait until all steps are completed before tightening bolts.

Make sure all bolts are tightly fastened before the unit is used.

Please call for replacement parts or assistance: 1-866-942-5362

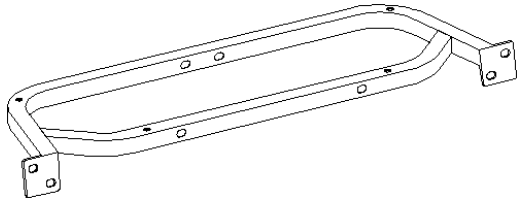
Golden Oak Furniture Mfg. Inc.

Page 2

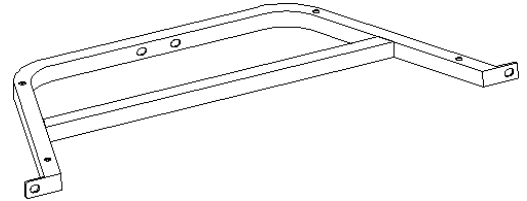
Factory # 82-14948

## Parts and Hardware List

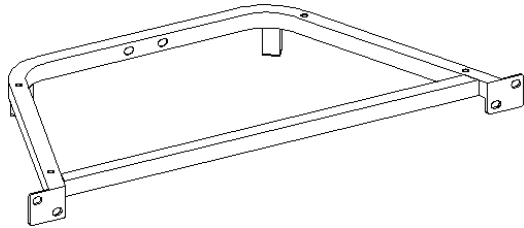
Please read completely through the instructions and verify that all parts listed are present before beginning assembly.



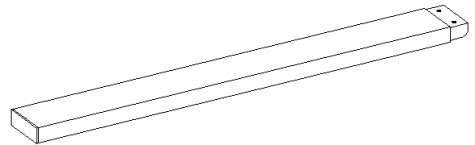
A- Top Shelf Frame (1)



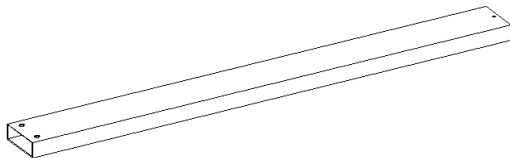
B- Middle Shelf Frame (1)



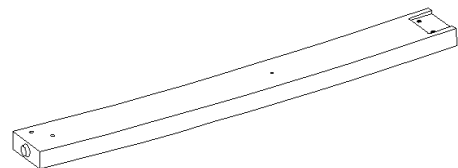
C- Bottom Shelf Frame (1)



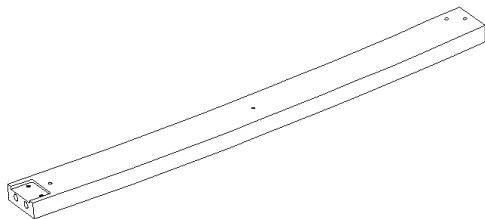
D- Lower Spine (1)



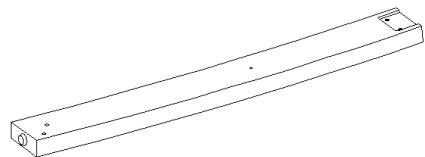
E- Upper Spine (1)



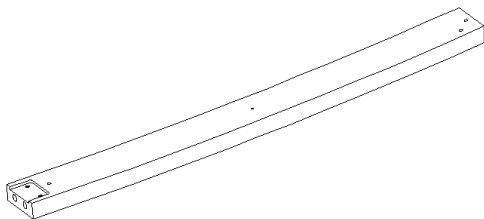
F- Left Lower Leg (1)



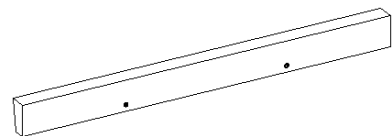
G- Left Upper Leg (1)



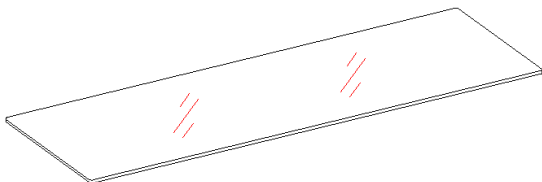
H- Right Lower Leg (1)



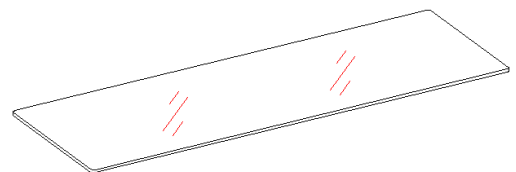
I- Right Upper Leg (1)



J- Cross Bar (1)



K- Top Glass (1)

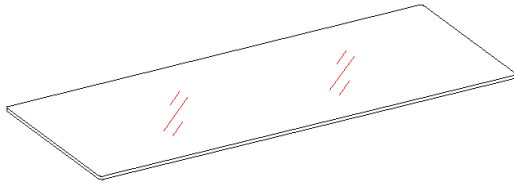


L- Middle Upper Glass Shelf (1)

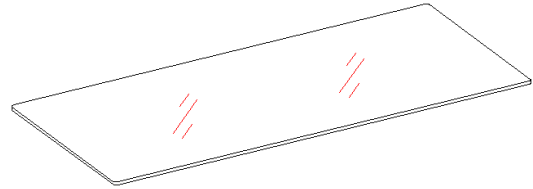
Please call for replacement parts or assistance: [1-866-942-5362](tel:1-866-942-5362)

## Parts and Hardware List

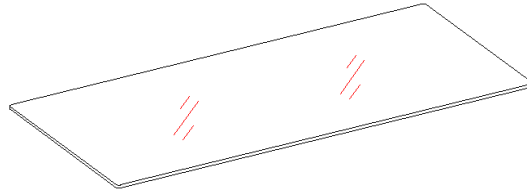
Please read completely through the instructions and verify that all parts listed are present before beginning assembly.



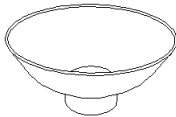
M- Middle Glass Shelf (1)



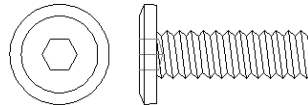
N- Middle Lower Glass Shelf (1)



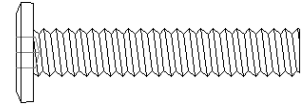
O- Bottom Glass Shelf (1)



(1) Suction Cup  
(12+1 extra)



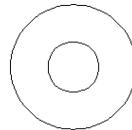
(2) Ø1/4" x 20 mm Bolt  
(20+1 extra)



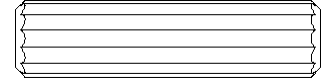
(3) Ø1/4" x 35 mm Bolt  
(8+1 extra)



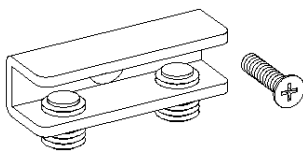
(4) Lock Washer  
(28+1 extra)



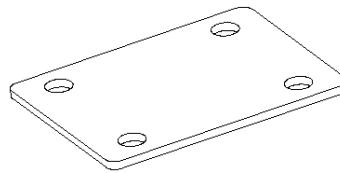
(5) Flat Washer  
(28+1 extra)



(6) Wood Dowel  
(4+1 extra)



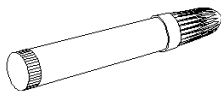
(7) Glass Clamp w/Bolt  
(6)



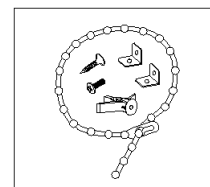
(8) Metal Bracket  
(2)



Allen Wrench  
(2)



Touch-up Pen (1)



Tipping Restraint Hardware Kit (1)  
(Included in plastic bag)

Tools required: Allen Wrench (provided), Phillips Screwdriver (not provided).

Please call for replacement parts or assistance: 1-866-942-5362

Golden Oak Furniture Mfg. Inc.

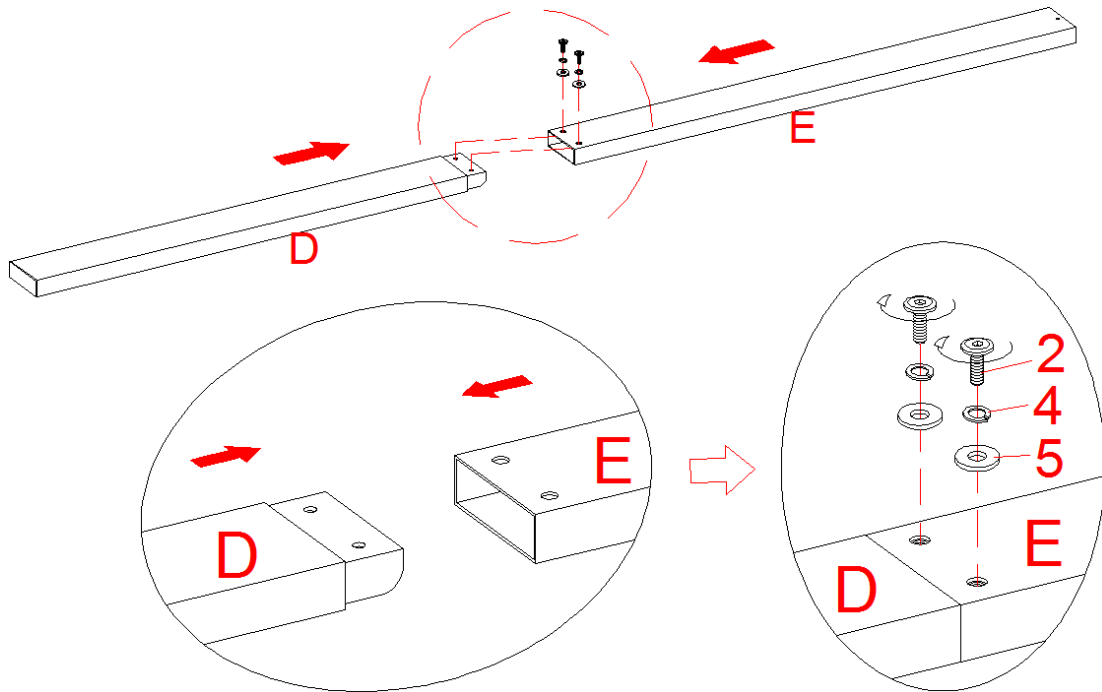
Page 4

Factory # 82-14948

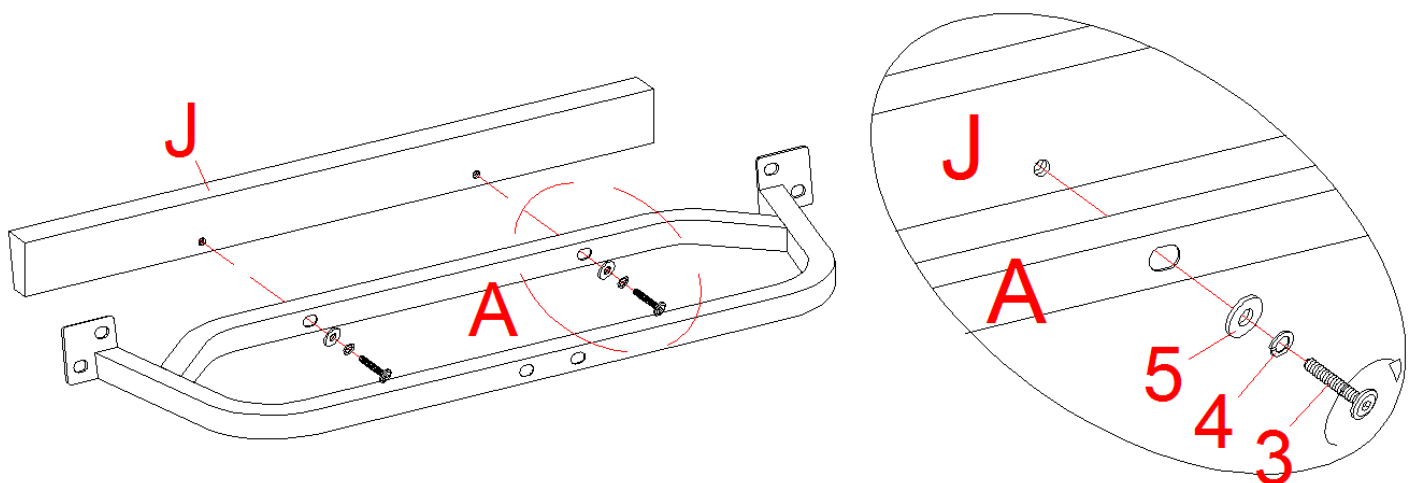
## Assembly Instructions

Note: Please do not fully tighten all bolts until you finish assembling the frame. Once assembled, go back and fully tighten all bolts. This will make it easier during assembly of unit.

1. Unpack the unit and confirm that you have all the hardware and required parts listed.
2. Align and attach Lower Spine (D) onto Upper Spine (E) together using two 20 mm Bolts (2) with Lock Washers (4) and Flat Washers (5). Tighten the bolts with enclosed Allen Wrench.

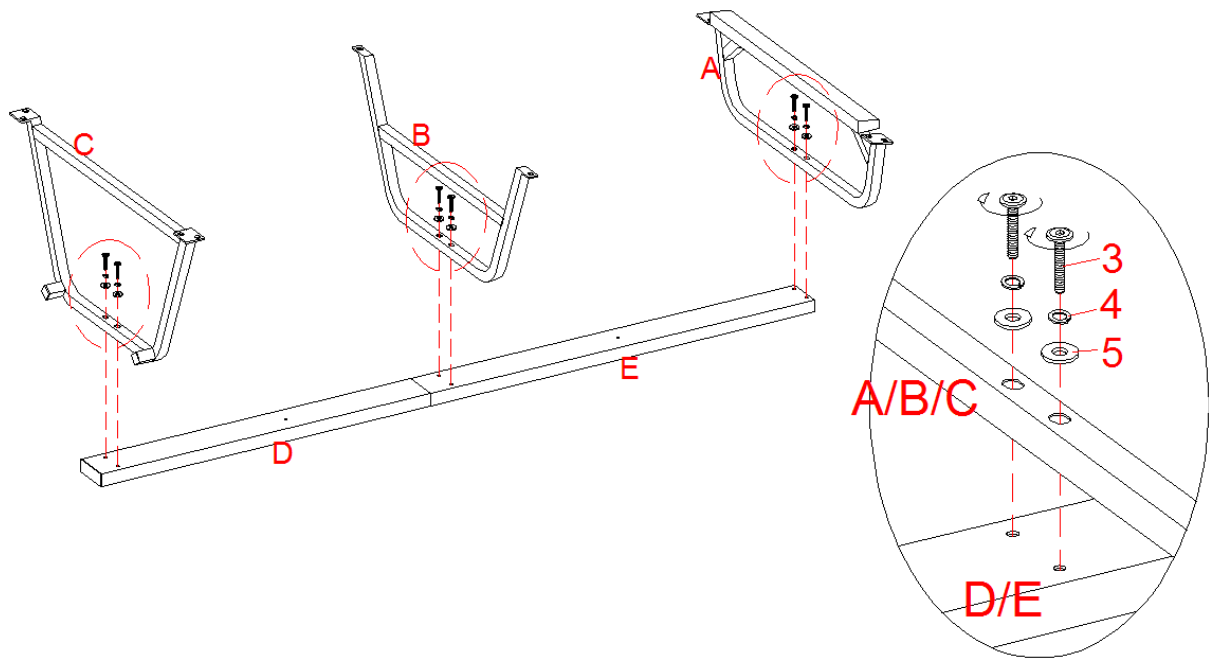


3. Align and attach Cross Bar (J) to Top Shelf Frame (A) using two 35 mm Bolts (3) with Washers (4 and 5). Make sure the thick edge of Cross Bar is flush with the metal brackets of Top Shelf Frame.

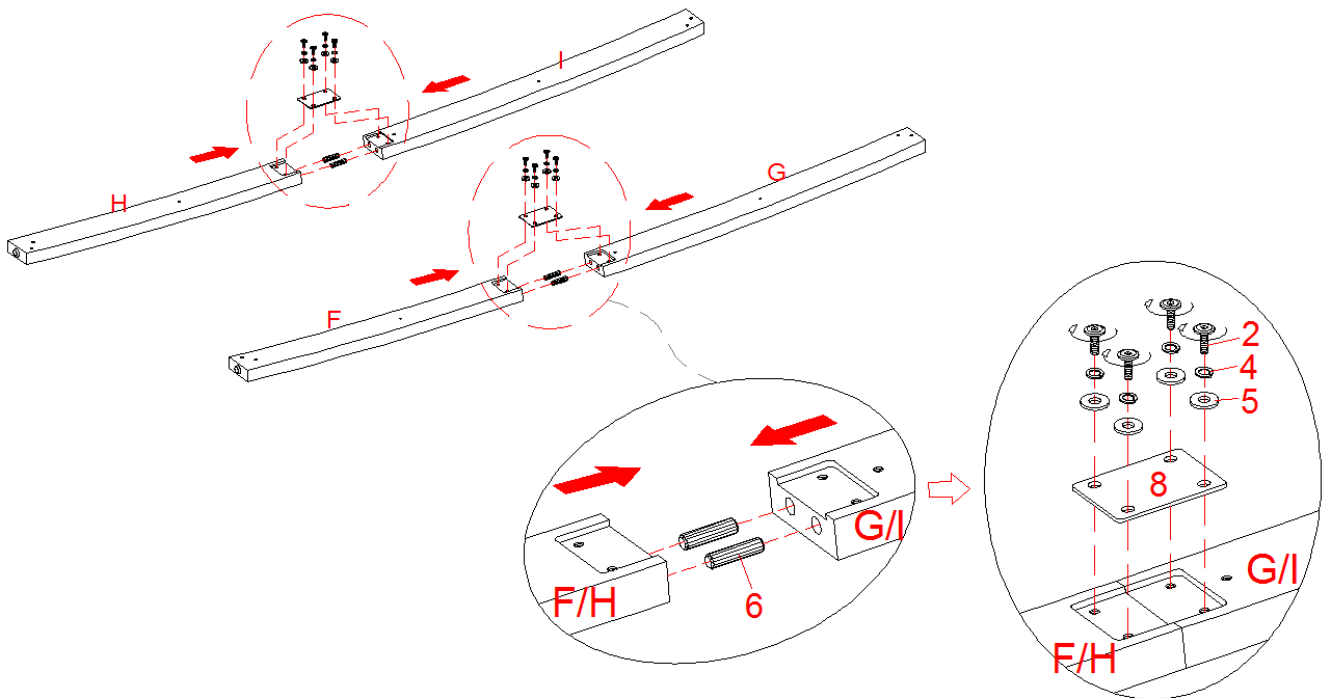


## Assembly Instructions

4. Align and attach 3 Self Frames (A, B and C) to the assembled Spine (D and E) using 35 mm Bolts (3) with Washers (4 and 5). Make sure the flat surface of the Shelf Frames will face up after assembly.

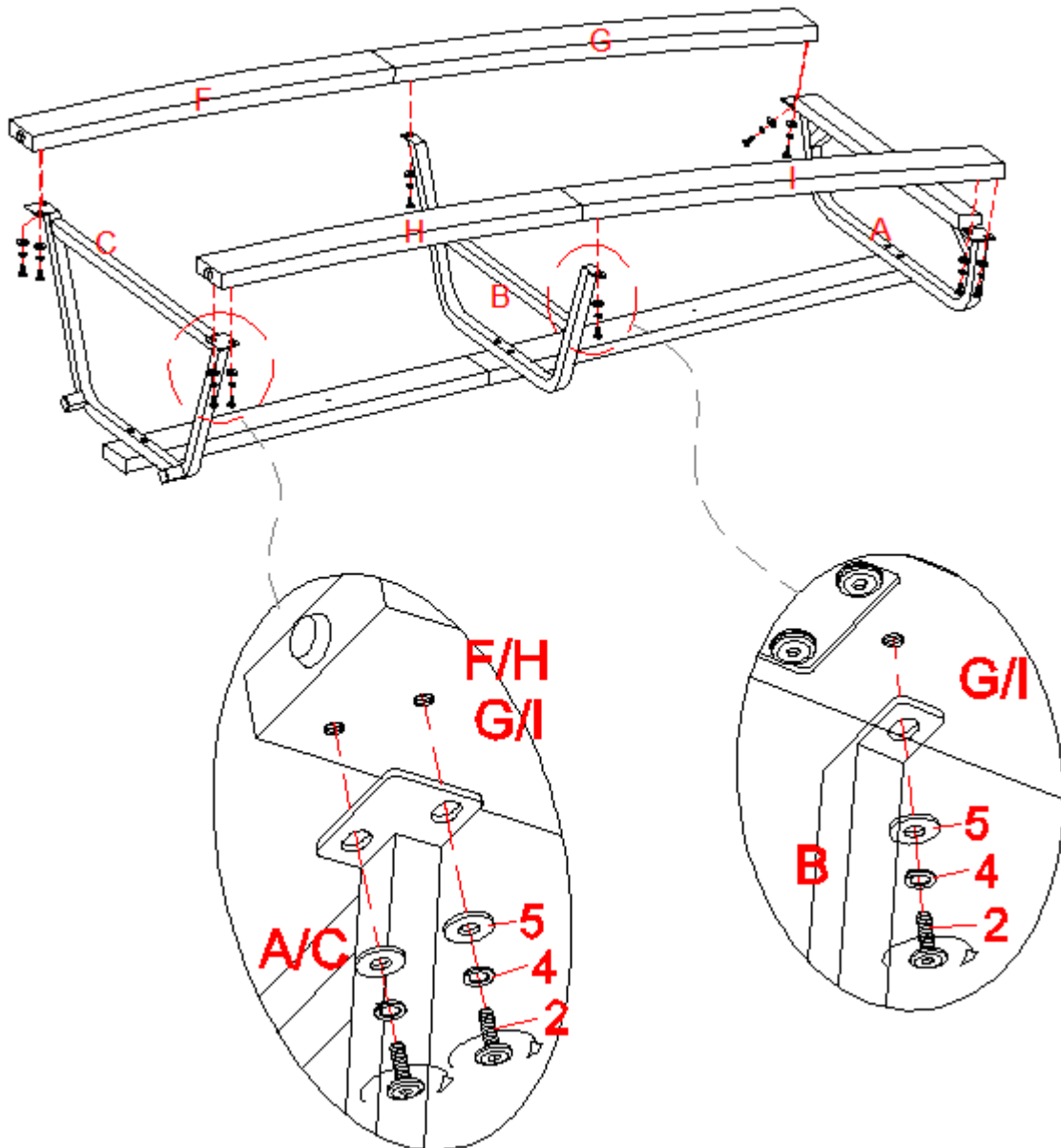


5. Connect Left Lower and Upper Leg (F and G) together using two Wood Dowels (6). Fully attach one Metal Plate (8) onto the cut-out on joint using four 20 mm Bolts (3) with Washers (4 and 5).
6. Repeat last step to combine Right Lower and Upper Right Leg (H and I) together.



## Assembly Instructions

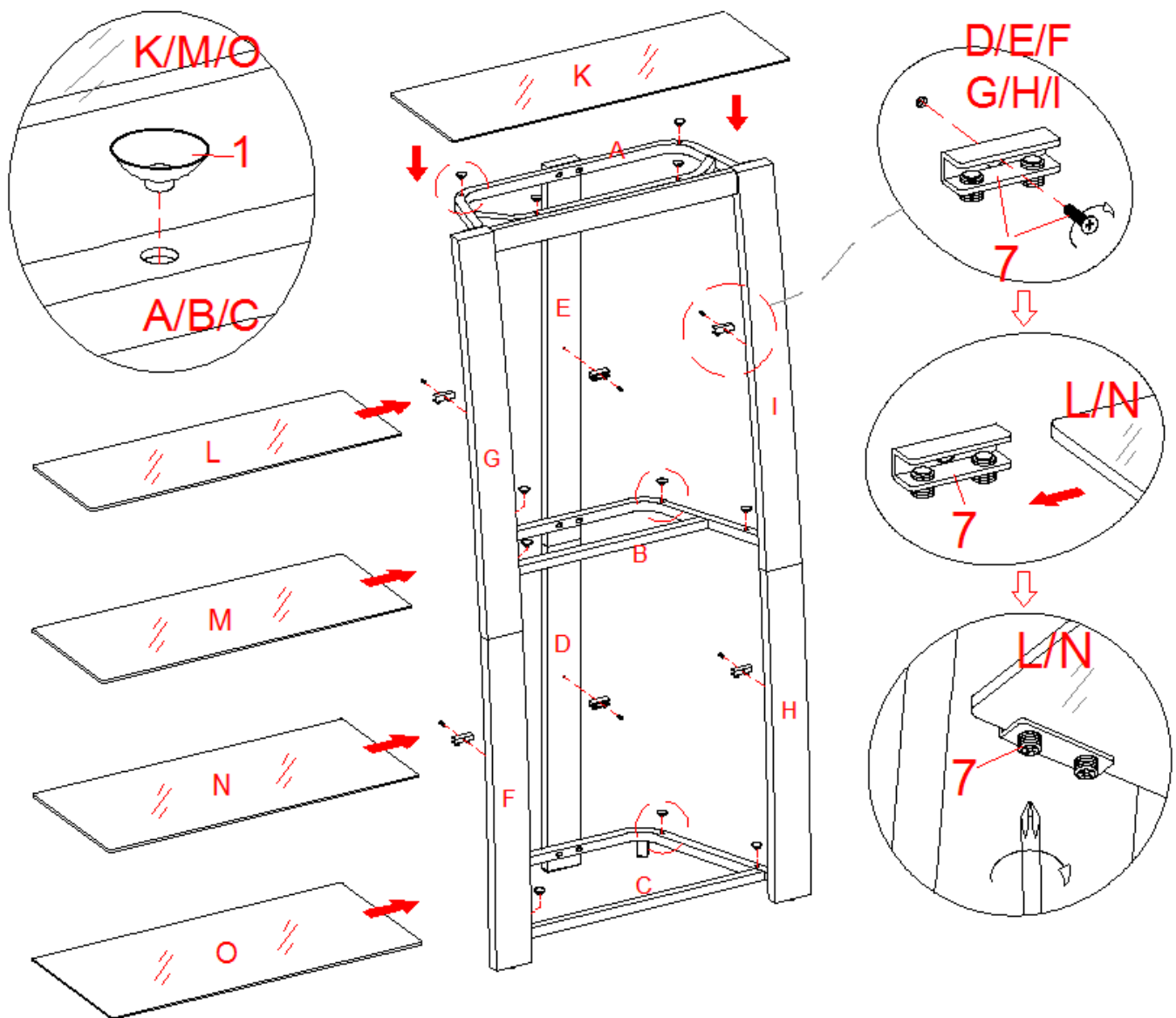
7. Pick up Right Leg assembly and align the back inserted nuts with the end brackets on three Shelf Frames (A, B and C) simultaneously. Insert and screw the 20 mm Bolts (2) with Washers (4 and 5) through the end brackets into the Legs. **DO NOT tighten the bolts.**
8. Repeat last step to install Left Leg assembly at the other end. Make sure that the top edges are even with each other and that the gaps and offsets between the Cross Bar (J) and Upper Legs (G and I) are equal. Loosen the bolts and adjust if necessary.



## Assembly Instructions

9. Stand the unit upright. Now go back and fully tighten all bolts.
10. Put the Suction Cups (1) firmly into the top holes of three Shelf Frames (A, B and C) and attach the Glass Clamps (7) to the threaded inserts on the back of Legs (F, G, H and I) and Spines (D and E). Make sure the set screws on the Glass Clamp are bottom.
11. Properly install the Top Glass and Glass Shelf (K, L, M, N and O) starting with Bottom Glass Shelf (O). Make sure the glass is rested correctly and the black side of glass is down. Rotate clockwise the Set Screws underneath Glass Clamps to secure the Glass Shelf in place and to prevent falling easily and getting damage.

**Note:** If glass is scratched you can minimize the damage by using a BLACK marker and filling in scratched area from underneath.



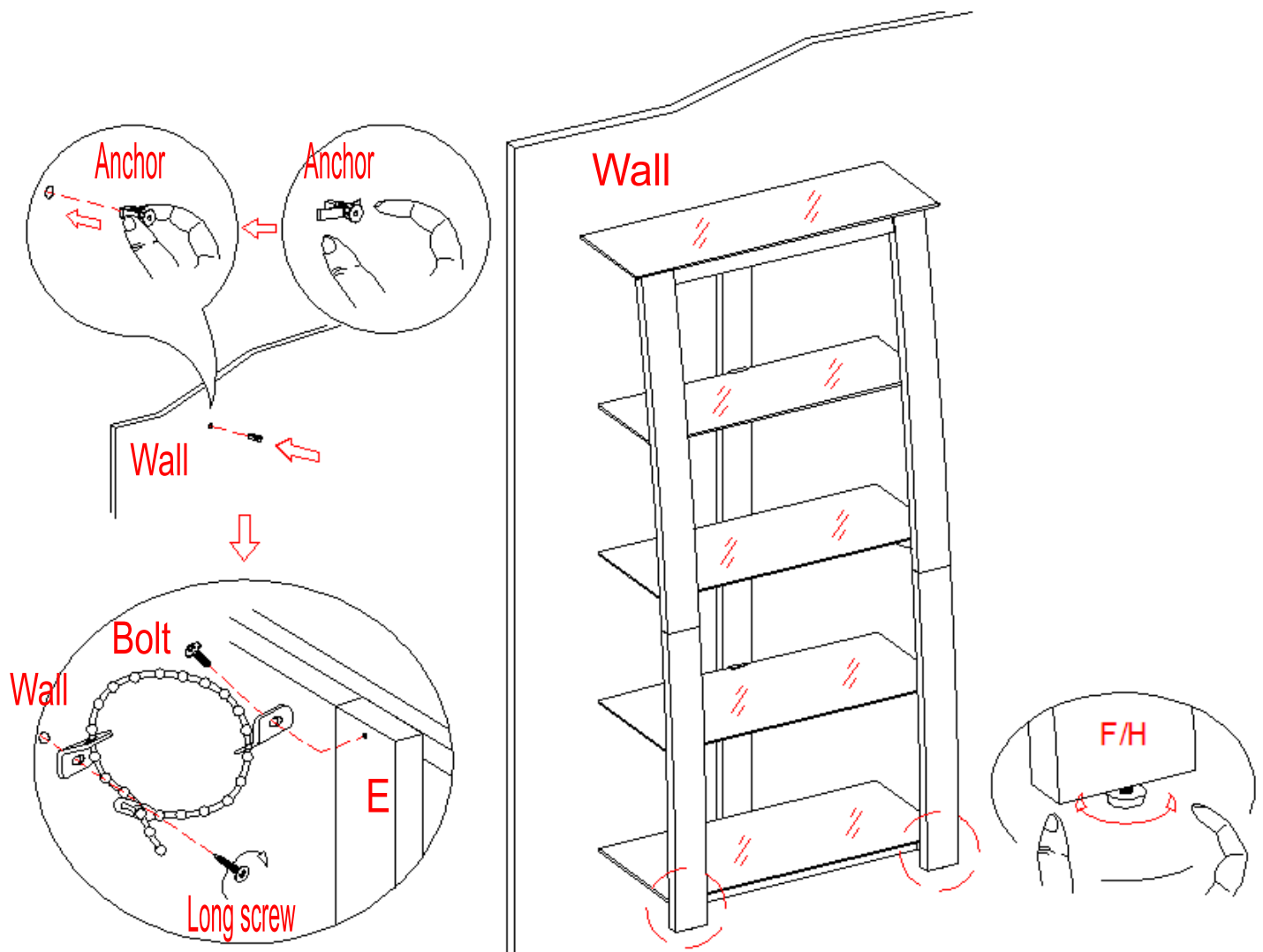


## Assembly Instructions

12. Position the assembled unit at your desired location against a wall. If necessary, rotate the Floor Levelers pre-attached at the bottom of both Lower Legs (F and H) to level the unit.
13. Now follow the instructions printed on the plastic bag containing the Tipping Restraint Hardware to mount the tipping restraint to Upper Spine (E) and the wall.

**NOTE: YOU MUST USE THIS TIPPING RESTRAINT TO ATTACH THIS UNIT TO THE WALL, TO PREVENT ACCIDENTS AND/OR INJURIES.**

14. The unit is ready for use now.



**Tools required:** Allen Wrench (provided), Phillips Screwdriver, Mallet, Power Drill, and 3/8" Drill Bit.

Please call for replacement parts or assistance: 1-866-942-5362  
Golden Oak Furniture Mfg. Inc.

## Care and Maintenance

- Use a soft, clean cloth that will not scratch the surface when dusting.
- Use of furniture polish is not necessary. Should you choose to use polish, test first in an inconspicuous area.
- Using solvents of any kind on your furniture may damage your furniture's finish.
- Never use water to clean your furniture as it may cause damage to the finish.
- Always use coasters under beverage glasses and flowerpots.
- Liquid spills should be removed immediately. Using a soft clean cloth, blot the spill gently. Avoid rubbing.
- Always use protective pads under hot dishes and plates. Heat can cause chemical changes that may create spotting within the furniture finish.
- Stains or marks from crayons or ink markers will be difficult to remove.
- In the event that your furniture is stained or otherwise damaged during use, we recommend that you call a professional to repair your furniture.
- Check bolts/screws periodically and tighten them if necessary.

## Further advice about wood furniture care

It is best to keep your furniture in a climate-controlled environment. Extreme temperature and humidity changes can cause fading, warping, shrinking and splitting of wood. It is advised to keep furniture away from direct sunlight as sun may damage the finish. Proper care and cleaning at home will extend the life of your purchase. Follow the important and helpful tips that will enhance your furniture as it ages.

**A Touch-up Pen has been provided to repair any small nicks or scratches that may occur during assembly or shipping.**

We hope you enjoy your purchase for many years.  
Thank you for your purchase.

## QUALITY GUARANTEE

We are confident that you will be delighted with your Golden Oak Furniture purchase.

Should this product be defective in workmanship or materials or fail under normal use, we will repair or replace it for up to one (1) year from date of purchase. Every Golden Oak Furniture product is designed to meet your highest expectations. We guarantee that you will immediately see the value of our fine furniture.

This warranty gives you specific legal rights and you may also have other rights which vary from province to province (state to state).

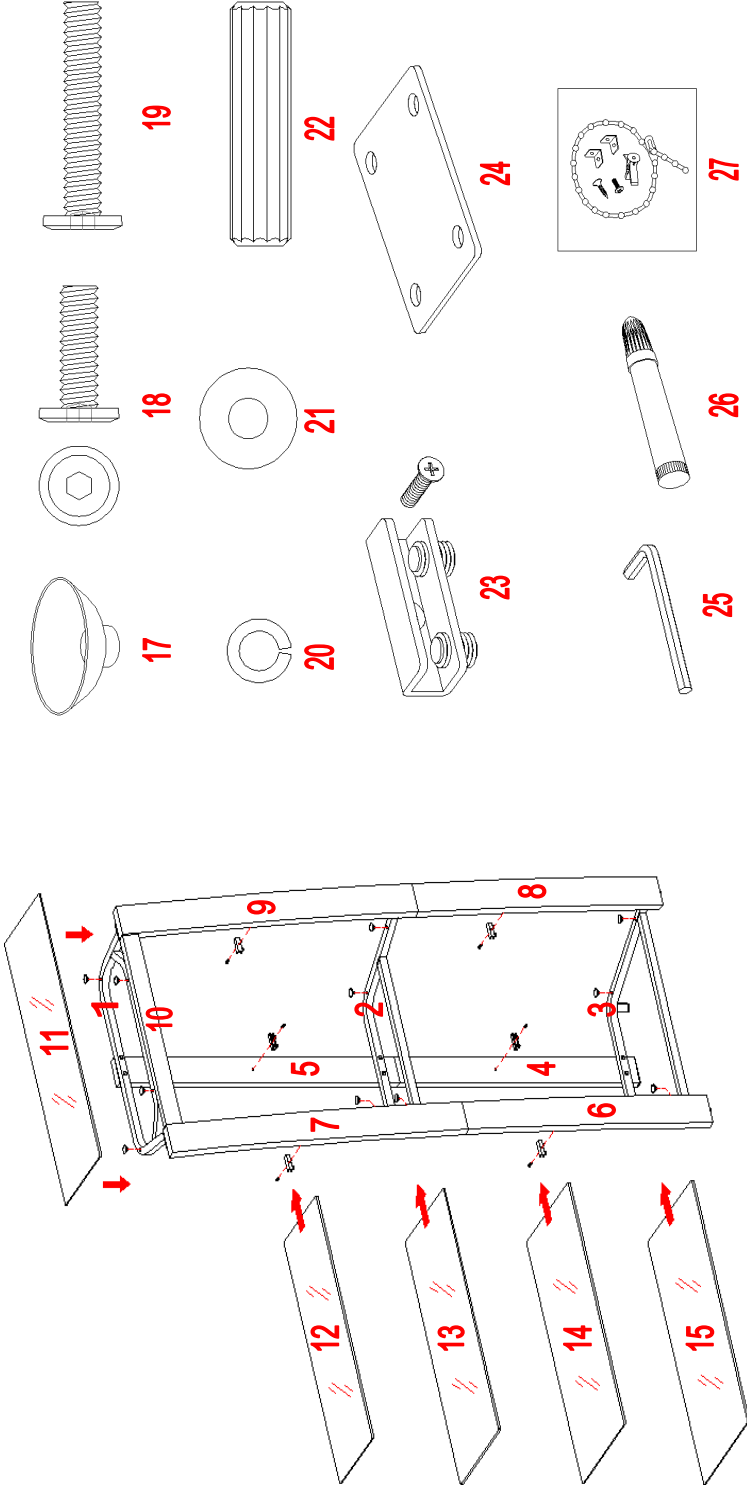
Customer Service: 1-866-942-5362

8:30 a.m. - 4:30 p.m. PST, Monday to Friday

**[www.goldenoak.com](http://www.goldenoak.com)**

**Please call for replacement parts or assistance: 1-866-942-5362**

**IF YOU NEED TO ORDER PARTS PLEASE USE THE LIST BELOW**  
**Zeta 30 x 60 Bookcase (ZT3060BK)**



|                   |                          |                      |                                |
|-------------------|--------------------------|----------------------|--------------------------------|
| *ZT3060BK-1-TSF   | Top Shelf Frame          | *ZT3060BK-15-BGS     | Bottom Glass Shelf             |
| *ZT3060BK-2-MSF   | Middle Shelf Frame       | *ZT3060BK-16-CH      | Complete Hardware              |
| *ZT3060BK-3-BSF   | Bottom Shelf Frame       | *ZT3060BK-17-SC      | Suction Cup                    |
| *ZT3060BK-4-LS    | Lower Spine              | *ZT3060BK-18-1/4x20B | Ø1/4" x 20 mm Bolt             |
| *ZT3060BK-5-US    | Upper Spine              | *ZT3060BK-19-1/4x35B | Ø1/4" x 35 mm Bolt             |
| *ZT3060BK-6-LLL   | Left Lower Leg           | *ZT3060BK-20-LW      | Lock Washer                    |
| *ZT3060BK-7-LUL   | Left Upper Leg           | *ZT3060BK-21-FW      | Flat Washer                    |
| *ZT3060BK-8-RLL   | Right Lower Leg          | *ZT3060BK-22-WD      | Wood Dowel                     |
| *ZT3060BK-9-RUL   | Right Upper Leg          | *ZT3060BK-23-GCB     | Glass Clamp w/Bolt             |
| *ZT3060BK-10-CB   | Cross Bar                | *ZT3060BK-24-MB      | Metal Bracket                  |
| *ZT3060BK-11-TG   | Top Glass                | *ZT3060BK-25-AW      | Allen Wrench                   |
| *ZT3060BK-12-MUGS | Middle Upper Glass Shelf | *ZT3060BK-26-TUP     | Touch-up Pen                   |
| *ZT3060BK-13-MGS  | Middle Glass Shelf       | *ZT3060BK-27-TRHK    | Tipping Restraint Hardware Kit |
| *ZT3060BK-14-MLGS | Middle Lower Glass Shelf |                      |                                |