

# ASSEMBLY INSTRUCTIONS

IRG3641SFT88BL 88" ACCENT CONSOLE & IRG3641SFT88WH 88" ACCENT CONSOLE

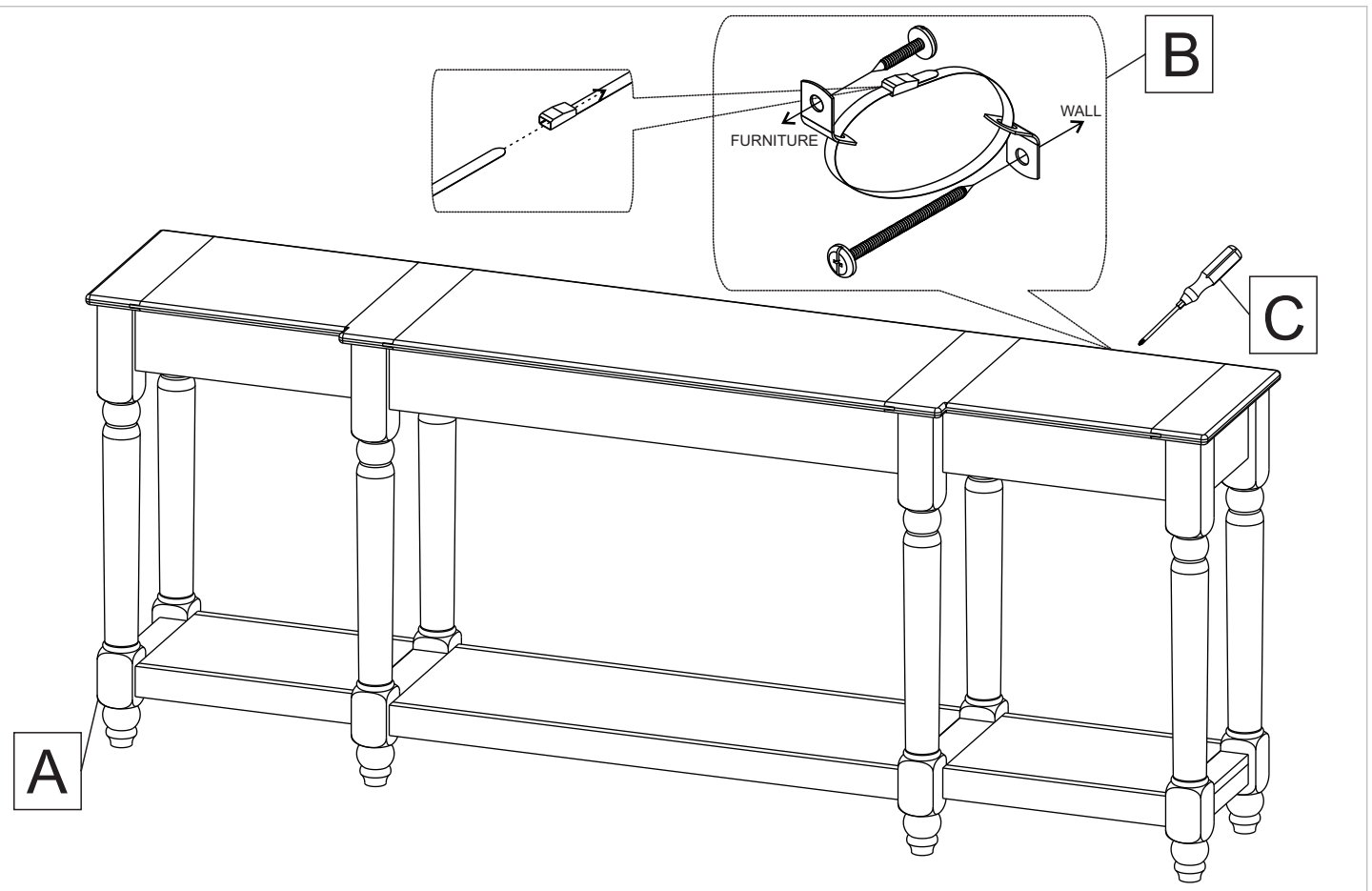


Manufactured by INFD for Rooms To Go.

SKU: 26036411 & 26136413

Version 1.

11/2025



## INSTRUCTIONS:

TO PREVENT THE CONSOLE (A) FROM TIPPING, MOUNT ONE SIDE OF THE TIPPING RESTRAINT (B) TO THE BACKSIDE OF THE CONSOLE (A) AND THE OTHER SIDE TO THE WALL.

	ITEM DESCRIPTION	IMAGE	QTY
A	ACCENT CONSOLE		1 PC
B	FURNITURE TIPPING RESTRAINT		1 SET
C	PHILIPS HEAD SCREWDRIVER (NOT PROVIDED)		1PC

Hardware Pack Location: Back

**ANTI-TIP HARDWARE MUST BE INSTALLED BY CUSTOMER.**

# WARNING

MANUFACTURER: CAYETANA FURNITURE. ADDRESS: CALLE 7 SUR 42 A CHIPILO DE SAN FRANCISCO JAVIER MINA, ATZOMPA, PUEBLA 74325. MODEL:  
SKU: 26036411 DESCRIPTION: IRG3641SFT88BL 88" ACCENT CONSOLE  
SKU: 26136413 DESCRIPTION: IRG3641SFT88WH 88" ACCENT CONSOLE

**PLEASE USE YOUR FURNITURE CORRECTLY AND SAFELY.  
IMPROPER USE CAN CAUSE SAFETY HAZARDS, OR DAMAGE TO YOUR FURNITURE OR  
HOUSEHOLD ITEMS. CAREFULLY READ THE FOLLOWING SAFETY INFORMATION.**

## SAFETY ALERT INFORMATION.

- **“WARNING - DEATH OR SERIOUS INJURY MAY OCCUR WHEN CHILDREN CLIMB ON AUDIO AND/OR VIDEO EQUIPMENT FURNITURE. A REMOTE CONTROL OR TOYS PLACED ON THE FURNITURE MAY ENCOURAGE A CHILD TO CLIMB ON THE FURNITURE AND AS A RESULT THE FURNITURE MAY TIP OVER ONTO THE CHILD.”**
- **“WARNING - RELOCATING AUDIO AND/OR VIDEO EQUIPMENT TO FURNITURE NOT SPECIFICALLY DESIGNED TO SUPPORT AUDIO AND/OR VIDEO EQUIPMENT MAY RESULT IN DEATH OR SERIOUS INJURY DUE TO THE FURNISHING COLLAPSING OR OVER TURNING ON TO THE CHILD.”**
- OVERLOADING DRAWERS AND SHELVES MAY RESULT IN FURNITURE THAT CAN BREAK, SAG, OR TIP OVER. THIS CAN RESULT IN INJURY.
- ALWAYS PLACE HEAVIER ITEMS ON LOWER SHELVES AS FAR BACK FROM THE FRONT AS POSSIBLE.
- MOVING FURNITURE THAT IS NOT DESIGNED TO BE MOVED OR EQUIPPED WITH CASTERS MAY RESULT IN INJURY OR DAMAGE TO FURNISHINGS AND/OR PERSONAL PROPERTY.
- ALWAYS UNLOAD SHELVES AND DRAWERS, STARTING WITH TOP SURFACES, BEFORE MOVING.
- NEVER PUSH OR PULL FURNITURE ON CARPET. HAVE A SECOND PERSON HELP LIFT PROPERLY TO MOVE AND/OR REPOSITION FURNITURE.
- ALWAYS SECURE THE FURNITURE TO THE WALL USING THE PROVIDED SAFETY STRAP OR ANCHORING HARDWARE TO PREVENT TIP-OVER ACCIDENTS.
- NEVER ALLOW CHILDREN TO CLIMB, STAND, OR HANG ON DRAWERS, DOORS, OR SHELVES.
- OPEN ONLY ONE DRAWER AT A TIME. OPENING MULTIPLE DRAWERS SIMULTANEOUSLY MAY CAUSE THE UNIT TO TIP OVER. PLACE HEAVIER ITEMS IN THE LOWEST DRAWERS OR SHELVES TO IMPROVE STABILITY.
- DO NOT USE FURNITURE AS A STEP OR LADDER.
- AVOID PLACING OBJECTS ON TOP THAT COULD ENCOURAGE A CHILD TO CLIMB.

## WARNING



**Children have died from furniture tipover. To reduce the risk of furniture tipover:**

- ALWAYS install tipover restraint provided.
- NEVER put a TV on this product.
- NEVER allow children to stand, climb or hang on drawers, doors, or shelves.
- NEVER open more than one drawer at a time.
- Place heaviest items in the lowest drawers.

*This is a permanent label.  
Do not remove!*



## NEVER PUT A TV ON THIS PRODUCT

