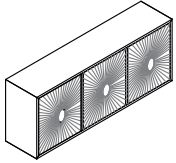


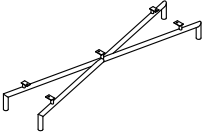

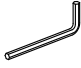
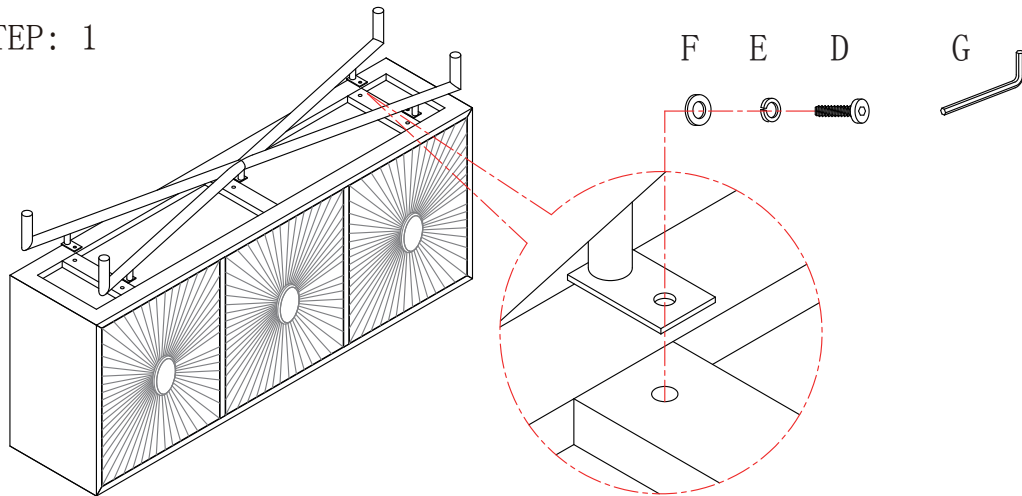


Thank you for purchasing this quality product. Be sure to check all packing material carefully for small parts that may have come loose inside the carton during shipment. (Note: Loosely thread all screws/bolts first. Once the item is assembled then completely tighten.)

PARTS LIST:				HARDWARE LIST:				
NO	Description	Sketch	Quantity	NO	Sketch	Description	Size	Quantity
A	Top		1	C		Bolt	Ø 5/16" * 1"	5
				D		flat washer	Ø 5/16" * 1/2"	5
B	Metal Leg		1	E		lock washer	Ø 5/16" * 3/4"	5
				F		allen wrench	M5	1

STEP: 1



FINISH:

