

SKU # 34716

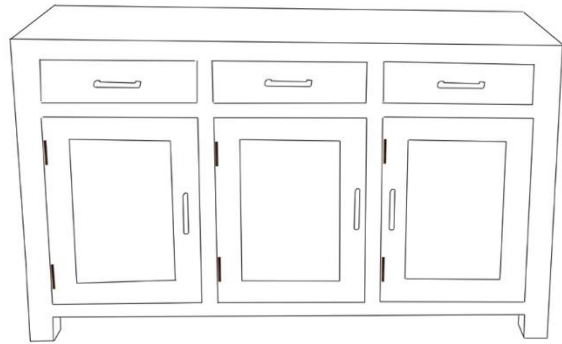
Beginning:

! Unpack all parts and hardware to ensure you have all needed components for assembly.
 ! Read this guide cover to cover before the assembly.
 ! Assemble this item on a soft surface, such as carpet to protect finish.
 ! Proper assembly of this item requires 1 person & 10 minutes to assemble.

CARE INSTRUCTIONS

Wipe with a soft, dry cloth. To protect finish, avoid the use of chemicals and household cleaners. Any liquid spilled on the product should be cleaned up immediately with a damp cloth.

Parts



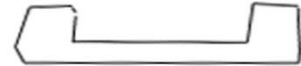
HOW TO ASSEMBLE

Step-1- Insert Screw B from inside the hole of door and set the handle to tighten
 Step-2- Insert Screw C from inside of drawer hole and set handle to tighten.

Tip for leveling of product: When the product rests on an uneven floor surface it will appear to be unbalanced. To aid in leveling, try adjusting the levelers located on the bottom of each foot.

Hardware & Tools required:

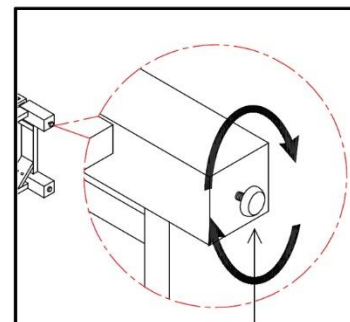
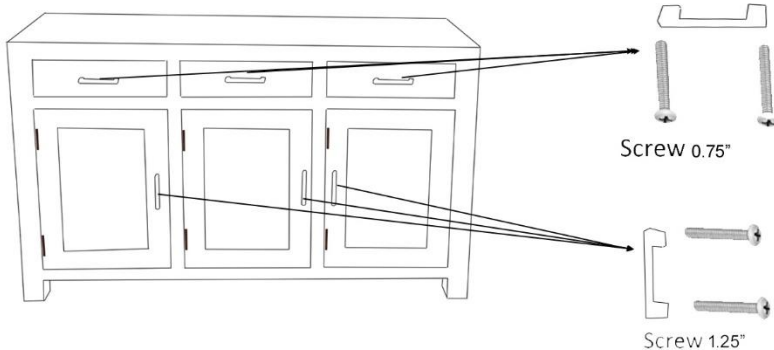
(A) Steel Handle 6x



(B) Steel Screw, 1.25", 6x



(C) Steel Screw, 0.75", 6x



ADJUSTABLE LEVELERS