



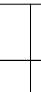
Assembly Instructions

ITEM NO.:22507/36533

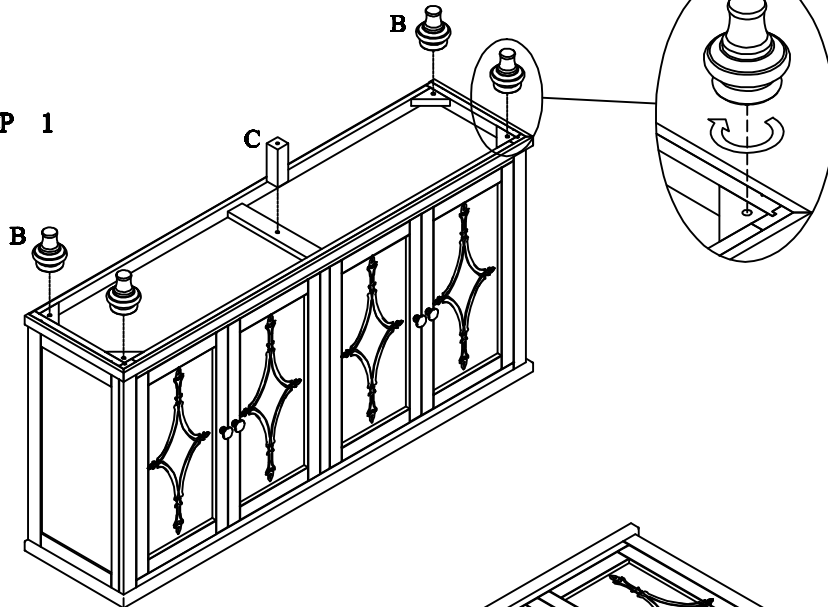
Thank you for purchasing this quality product. Be sure to check all packing material carefully for small parts that may have come loose inside the carton during shipment. (Note: Loosely thread all screws/bolts first. Once the item is assembled then completely tighten.)

TOOLS REQUIRED

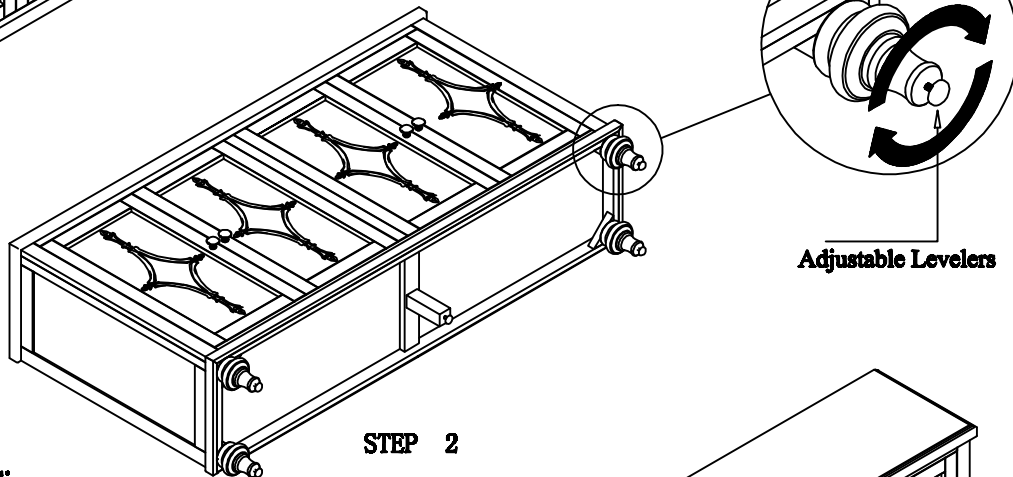
PARTS LIST:

No.	Description	Sketch	Quantity	No.	Description	Sketch	Quantity
A	Top		1	B	Legs		4
C	In the foot		1				

STEP 1

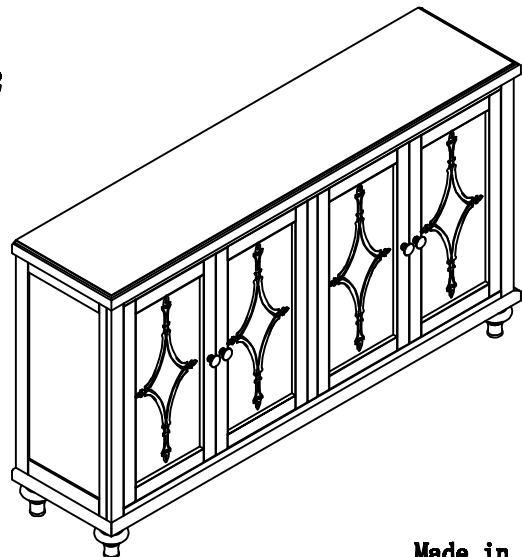


STEP 2



Tips for aligning doors:
Sometimes the doors will not line up because of an uneven floor surface the furniture rests on. In that case, try adjusting the levelers found on the bottom of each foot to aid in correcting.

STEP 3



Made in China