

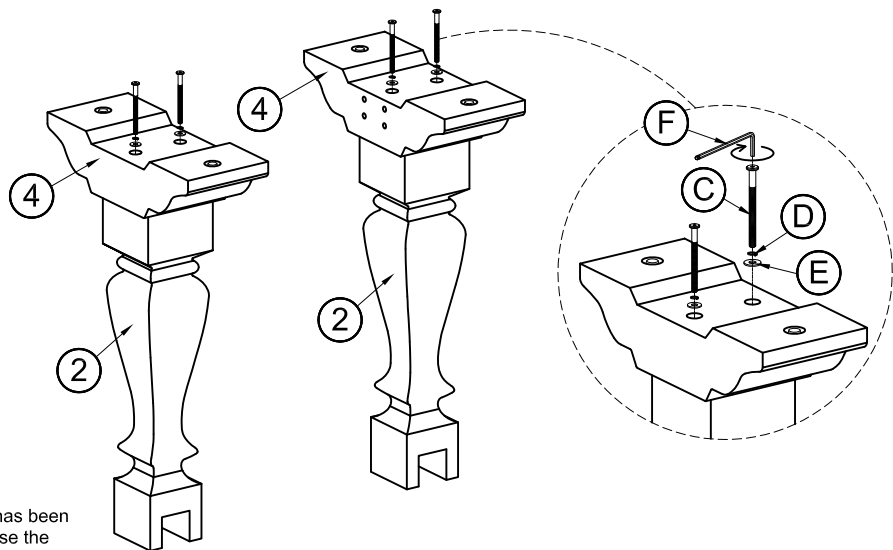
# Assembly Instructions

ITEM NO: 46224

Thank you for purchasing this quality product. Be sure to check all packing material carefully for small parts that may have come loose inside the carton during shipment. (Note: Loosely thread all screws/bolts first. Once the item is assembled then completely tighten.)

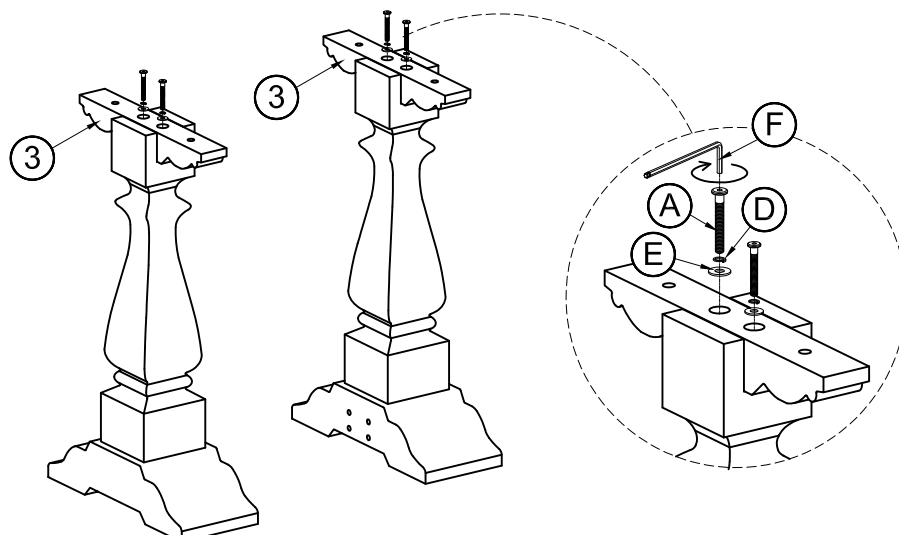
PARTS LIST:				HARDWARE LIST:				
No.	Description	Sketch	Quality	No.	Sketch	Description	Size	Quality
1	Table Top		1 Pc	A		Allen Head Bolt	Ø8x60mm	8 Pcs
2	Leg Frames		2 Pcs	B		Allen Head Bolt	Ø8x45mm	4Pcs
3	Connector		2 Pcs	C		Allen Head Bolt	Ø8x100mm	4 Pcs
4	Leg Base		2 Pcs	D		Lock Washer	Ø9x13mm	16 Pcs
5	Stretcher		1 Pc	E		Flat Washer	Ø8xØ20mm	16 Pcs
				F		Allen Key	4x110mm	1 Pc

## STEP 1



Do not fully tighten the bolts until the complete table has been assembled. Once the complete table is assembled, use the provided Allen Key to fully tighten all the bolts.

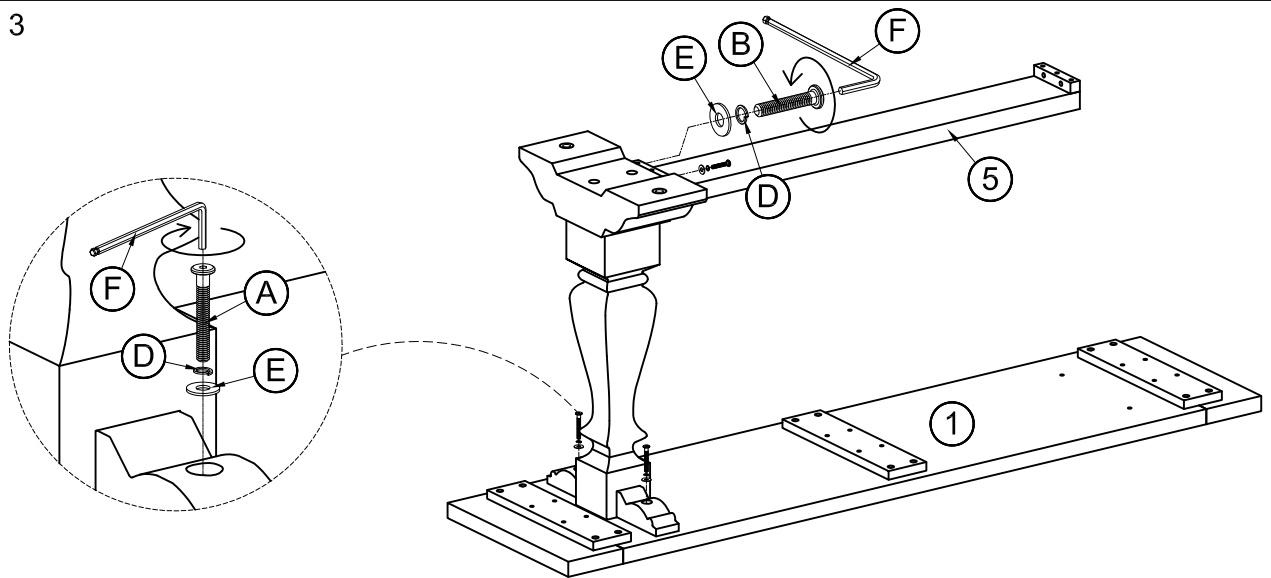
## STEP 2



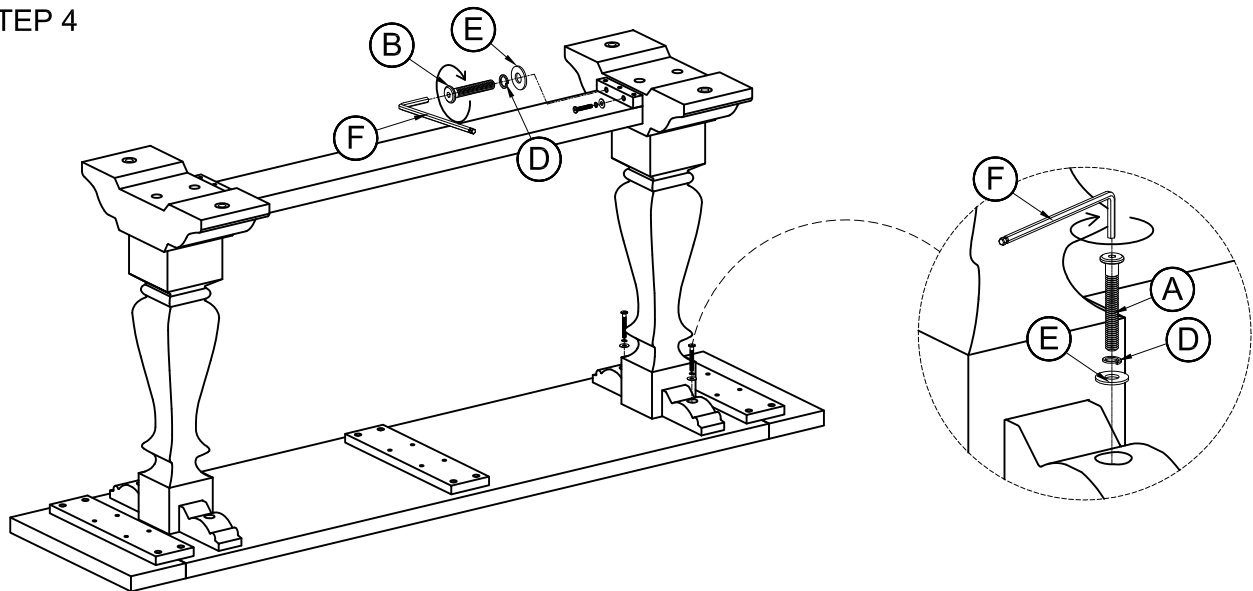
# Assembly Instructions

ITEM NO: 46224

STEP 3



STEP 4



STEP 5

